

HOUSTON, TEXAS www.liftmoore.com
PHONE: (713) 688-5533 • FAX: (713) 688-6324
FAX: (800) 824-5559 (USA & CANADA)

Operating & Installation Instructions

Manual Out / Screw Base 12k ft.lbs. Outriggers

!ATTENTION!

KEEP THIS MANUAL WITH THE CRANE. OPERATION INSTRUCTIONS ARE CONTAINED IN A SEPARATE MANUAL. NEW OPERATORS SHOULD READ AND BE FAMILIAR WITH THE OPERATING INSTRUCTIONS BEFORE OPERATING THIS CRANE.

ORDER PARTS USING PART NUMBER, CRANE MODEL NUMBER AND CRANE SERIAL NUMBER TO ASSURE ACCURACY OF ORDERS.

**TABLE OF CONTENTS
P/N 20550**

**MANUAL OUT / SCREW BASE OUTRIGGER
12k ft.lbs.**

<u>DESCRIPTION</u>	<u>LOCATION</u>
TABLE OF CONTENTS.....	FORM 1124-D / P.2
OPERATING INSTRUCTIONS.....	FORM 1124-D / P.3
INSTALLATION INSTRUCTIONS	FORM 1124-D / P.4
CENTER TUBE DIMENSIONS TABLE	FORM 1964-0 / P.5
INSTALLATION DRAWING.....	DRAWING 50506-C
OUTRIGGER ASSEMBLY DRAWING.....	DRAWING 58112-B
DETENT PIN ASSEMBLY	DRAWING 32492-C



OPERATING INSTRUCTIONS

MANUAL OUT / SCREW BASE OUTRIGGER 12k ft.lbs.

Before using the crane, the outriggers must be set properly. Blocking the front wheels of the truck and setting the parking brake is advised to prevent the truck from rolling.

Always keep the truck as level as possible when operating the crane. Set the outriggers on firm ground that will not yield under load.

Check for overhead obstructions and especially for electrical wires. The crane must always be more than 10 Feet away from electrical wires.

Raise the outrigger detent pin and pull the outrigger out until the pin is engaged in the stop hole. Do not use the outrigger unless this pin is fully engaged. There are only two positions for the pull out section, either fully retracted or fully extended.

Manually lower the jack by removing the "U" shaped handle. This handle serves as the pin holding the jack in place. After lowering the jack to the ground, reinsert the handle in the lowest position of aligning holes. Then screw the base of the jack until there is lifting of the truck bed. The higher the truck, the less the truck must tilt to counterbalance the crane and load. Leave the truck wheels in contact with the ground. If equipped, set the opposite side outrigger using the same method.

The outrigger is set and the crane is ready for use.

NOTE: At no time should the tires on the opposite side from the lifting side be raised above the ground. If this happens, relocate the truck closer to the load.

Do not operate the crane until you have read and understand the crane's operation as explained in the manual.

To put up the outrigger, screw the outrigger so that the screw section is fully raised, then raise the manual portion by removing the "U" shaped handle, raising the manual section, and reinserting the handle. Lift the detent pin and slide the outrigger in. Make sure the detent pin is engaged into the outrigger. The outrigger can slide out during a sharp turn if the detent pin is not engaged.



INSTALLATION INSTRUCTIONS

MANUAL OUT / SCREW BASE OUTRIGGER 12k ft.lbs.

Refer to Drawing No. 50506 for outrigger layout.

Read these instructions completely before starting installation.

This kit includes the outrigger center tube, with manual pullout section(s), and screw base jack(s).

Before mounting the outrigger center tube, orient the outrigger so that the longer manual pull out section is on the same side of the truck as the crane.

IMPORTANT: The outrigger center tube must be supported at the truck frame, at its outer end under the crane's structural support, and at the end opposite the crane. The center tube should not be supported by the body sheet metal.

Locate the outrigger as close to the crane as possible.

1. Set the outrigger with clearance from the truck body so that the pull out or extendable portion will clear the body when fully retracted. Set the vertical height so that the jack will be able to penetrate at least 3" below the ground. The outrigger jack is approximately 14" long when retracted. It extends a maximum length of approximately 46". The screw travel length is 4.25" and the total extension is 32".
2. Fabricate an "L" shaped mounting bracket similar to the one shown on drawing 50506 (also see drawing for center tube dimensions). The bracket is not furnished. **Weld** the cross tube securely to the bracket. This will provide support for the outrigger at the truck's frame.
3. Weld the outer end of the cross tube securely to the crane support structures using 4" channel or stronger steel bars. This outer end of the cross tube must be supported to carry the crane load and prevent bending of the center tube, and/or truck body. This should be done below the crane and on the side opposite the crane.
4. Check the outrigger for operation. Especially note that the detent pins on the pull out sections fully engage in all operating positions.

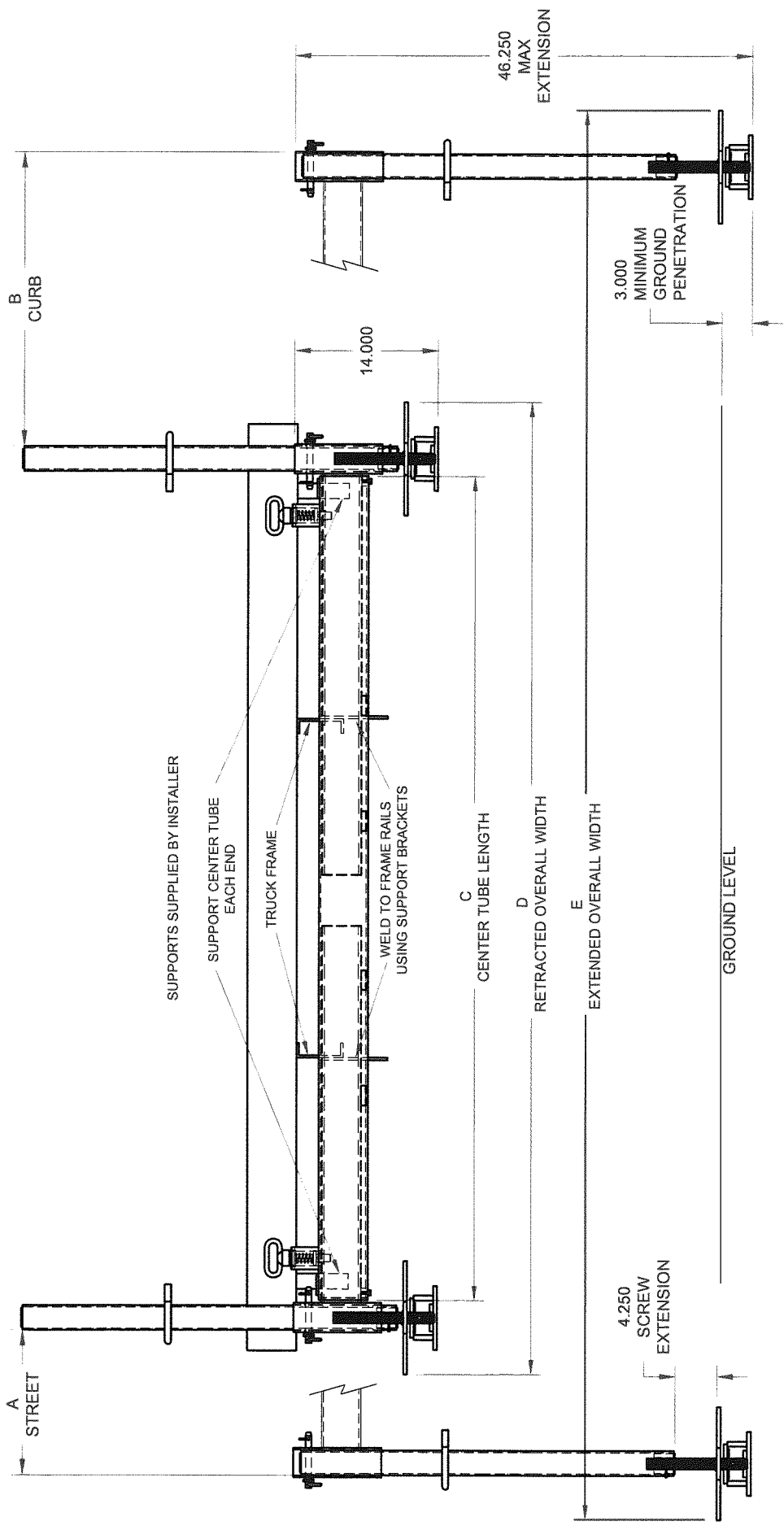
Place labels on the crank down jacks warning of crushing injury. The outrigger is ready for use!



**OUTRIGGERS CENTER TUBE
DIMENSIONS TABLE**

<i>Outrigger Model</i>	<i>Center Tube Size</i>
<i>Outrigger 10K</i>	<i>2.50'' X 5.00''X 0.18'' W</i>
<i>Outrigger 12K</i>	<i>2.50'' X 5.00''X 0.18'' W</i>
<i>Outrigger 18K</i>	<i>4.00'' X 6.00''X 0.25'' W</i>
<i>Outrigger 25K</i>	<i>5.00'' X 7.00''X 0.18'' W</i>
<i>Outrigger 36K</i>	<i>6.00'' X 8.00''X 0.18'' W</i>
<i>Outrigger 50K</i>	<i>7.00'' X 9.00''X 0.18'' W</i>
<i>Outrigger 72K</i>	<i>8.00'' X 10.00''X 0.25'' W</i>





MODEL 38864	DESCRIPTION 30CMOSB-SFXNJ	DIMENSION A 0'	DIMENSION B 30'	DIMENSION C 60'	DIMENSION D 67.5'	DIMENSION E 97.5'
----------------	------------------------------	-------------------	--------------------	--------------------	----------------------	----------------------

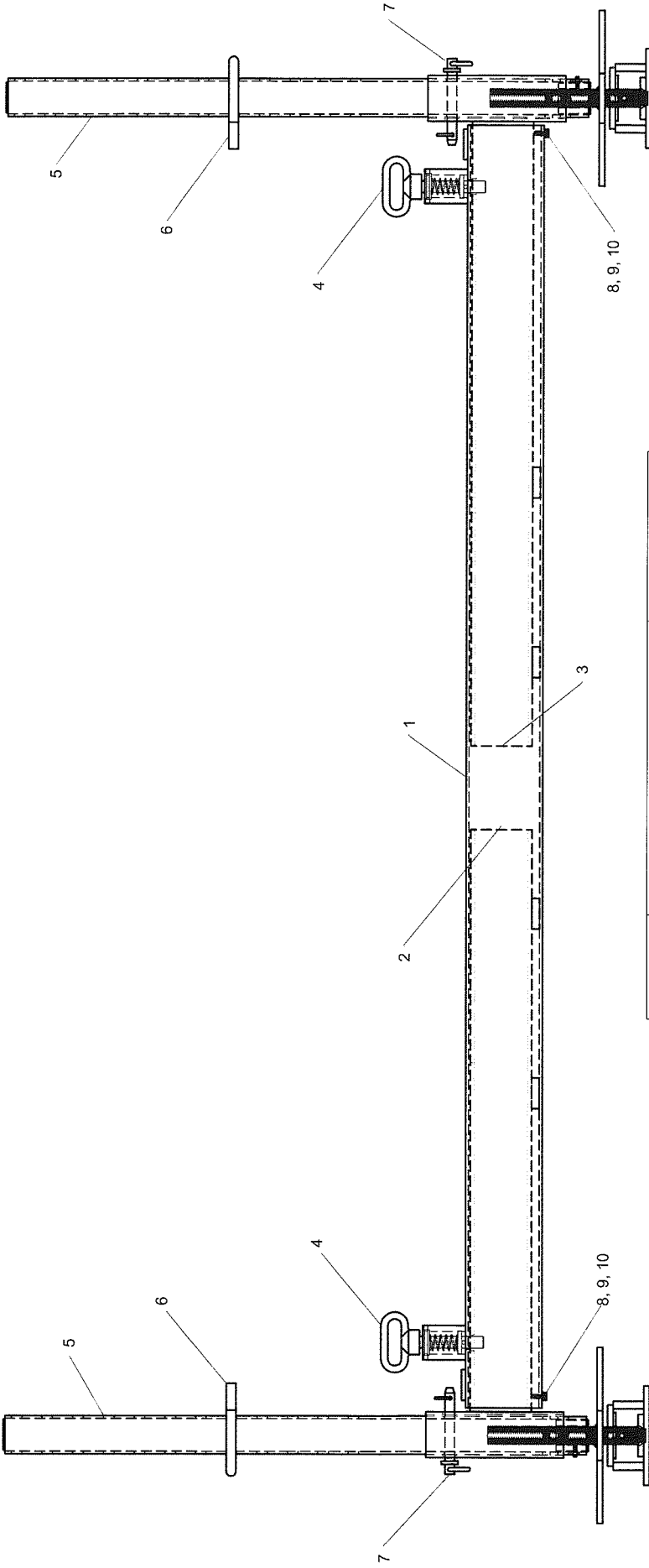
DRAWING NO.
50506-C

OUTRIGGER INSTALL 12K SB
SCREW BASE

DRWN BY: JC
DATE: 09/17/08

Houston TX
(713)-688-5533
www.liftmoore.com





ITEM	DESCRIPTION	OUTRIGGER	
		38864	QTY
1	CENTER OUTR.	16712	
2	STREET SIDE OUTR.	NONE	
3	CURB SIDE OUTR.	22293	
4	DETENT ASSY	32492	1
5	SCREW BASE JACK	32340	1
6	HANDLE	32342	1
7	HITCH PIN	30486	1
8	SPACER	22216	1
9	SCREW	30457	2
10	LOCK WASHER	30889	2

*SEE INSTALLATION DRAWING FOR OUTRIGGER MODEL NUMBER DESCRIPTION

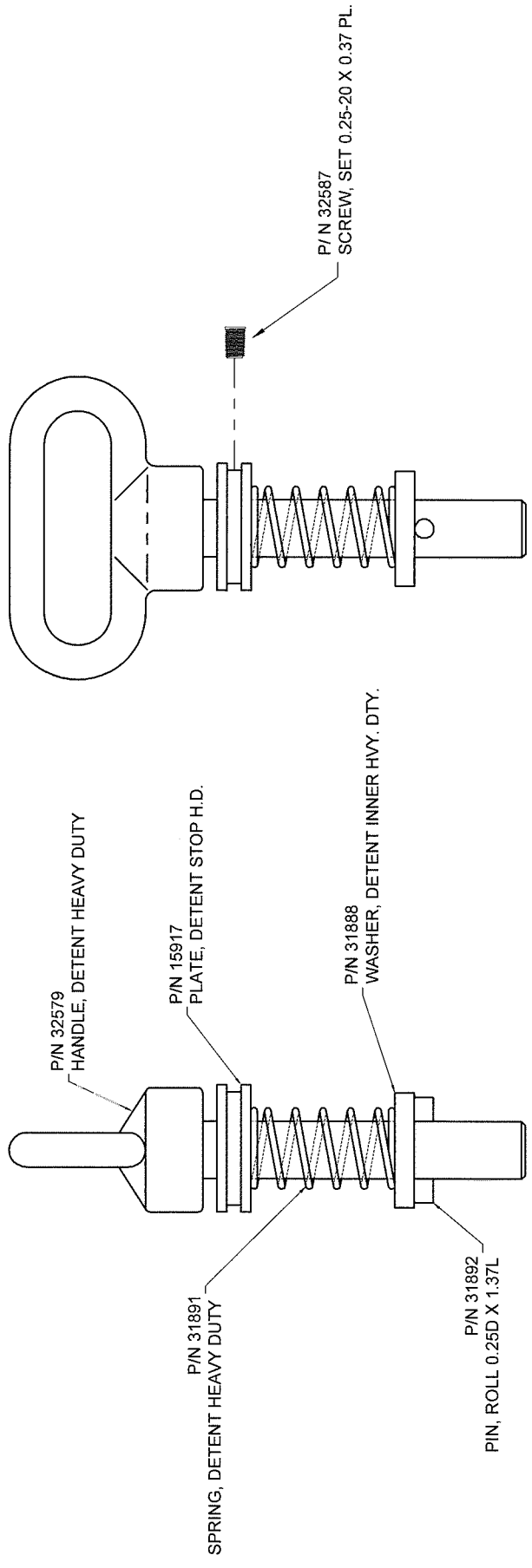
Houston TX
 (713)-688-5533
 www.liftmoore.com



OUTRIGGER 12K PARTS SB
 SCREW BASE

DRAWING NO.

58112-B




 Houston TX
 (713)-688-5533
 www.liftmoore.com

DRWN BY: JC
 DATE: 01/24/07

DETENT, INNER ASSEMBLY H.I.D.

DRAWING NO.
32492-C