

TABLE OF CONTENTS

USERS MANUAL P/N 29453
206REL W SP BAIL ATB

SECTION I INSTALLATION INSTRUCTIONS

CRANE INSTALLATION INSTRUCTIONS	F1084-E.....	1-1
MOUNTING PATTERN.....	50931-A	1-3
ELECTRICAL INSTALLATION	50377-F	1-4

SECTION II GENERAL OPERATION, INSPECTION, AND MAINTENANCE

CRANE SAFETY RULES.....	F1122-B.....	1-5
INTRODUCTION	F1111-D.....	1-7
OPERATING RESTRICTIONS	F1449-0	1-8
OPERATING PRACTICES.....	F1449-0	1-8
INSPECTION AND MAINTENANCE.....	F1113-D	1-11
MONTHLY INSPECTION REPORT	F1448-0	1-13
STANDARD HAND SIGNALS FOR CRANE OPERATIONS ..	F2409-0	1-14

SECTION III CRANE SYSTEMS AND TROUBLESHOOTING

206REL PENDANT CONTROL SYSTEM	F1172-0	2-1
HYDRAULIC SYSTEM FOR ELECTRIC CRANE	F1145-D	2-3
TROUBLESHOOTING ELECTRIC CRANE	F1173-A	2-5
DEUTSCH CONNECTIONS & PINS	F2435-A	2-6

SECTION IV CRANE SPECIFICATIONS

LIFTING CAPACITIES	F1450-E.....	3-1
POWER FUNCTIONS AND SPEEDS.....	F1450-E.....	3-1
LIFTING CAPACITIES - 206W	F1450-E.....	3-2
POWER FUNCTIONS AND SPEEDS - 206W.....	F1450-E.....	3-2
BOLT AND LUBRICATION SPECS	F1450-E.....	3-3



TABLE OF CONTENTS

USERS MANUAL P/N 29453
206REL W SP BAIL ATB

SECTION V PARTS

BOX PARTS LIST	F2671-0	4-1
CRANE ASSEMBLY & ELECTRICAL SCHEMATIC	DWG.29399-A	4-2
PENDANT CONTROL (OPTIONAL)	DWG.19425-G	4-9
MEGA WIRELESS CONTROLS	DWG.28490-B	4-10
BOOM-BODY ASSEMBLY	DWG.29398-A	4-11
ELEVATION CYLINDER ASSEMBLY	DWG.19448-D	4-12
BODY ASSEMBLY	DWG.29397-A	4-13
MANIFOLD ASSEMBLY	DWG.23169-0	4-17
HYDRAULIC PUMP	DWG.21589-A	4-18
BASE-HOUSING ASSEMBLY	DWG.29396-A	4-19
GEAR BEARING ASSEMBLY	DWG.19430-B	4-22
ELECTRICAL SWIVEL	DWG.50471-F	4-23
BOOM ASSEMBLY – 206W	DWG.26973-A	4-24
WINCH DC2000 DRAWING	DWG.23872-C	4-25
WINCH DC2000 PARTS LIST	DWG.23872-C	4-26
WARRANTY		F1442-A



MODEL 206 & LA6K INSTALLATION INSTRUCTIONS

Read this complete section before starting the crane installation.

Before installing make sure you have all necessary parts. Please refer to the Owner's manual Section 4-1 for the list of parts required for installation. Report any shortages to Liftmoore, Inc. immediately.

1. The mounting must be adequate to support the load and moment rating for the crane as listed:
 - 206 - 2,000 Lbs. Maximum Load; 6,500 Ft.- Lbs. Moment Rating
 - LA6K- 2,000 Lbs. Maximum Load; 6,500 Ft.- Lbs. Moment Rating

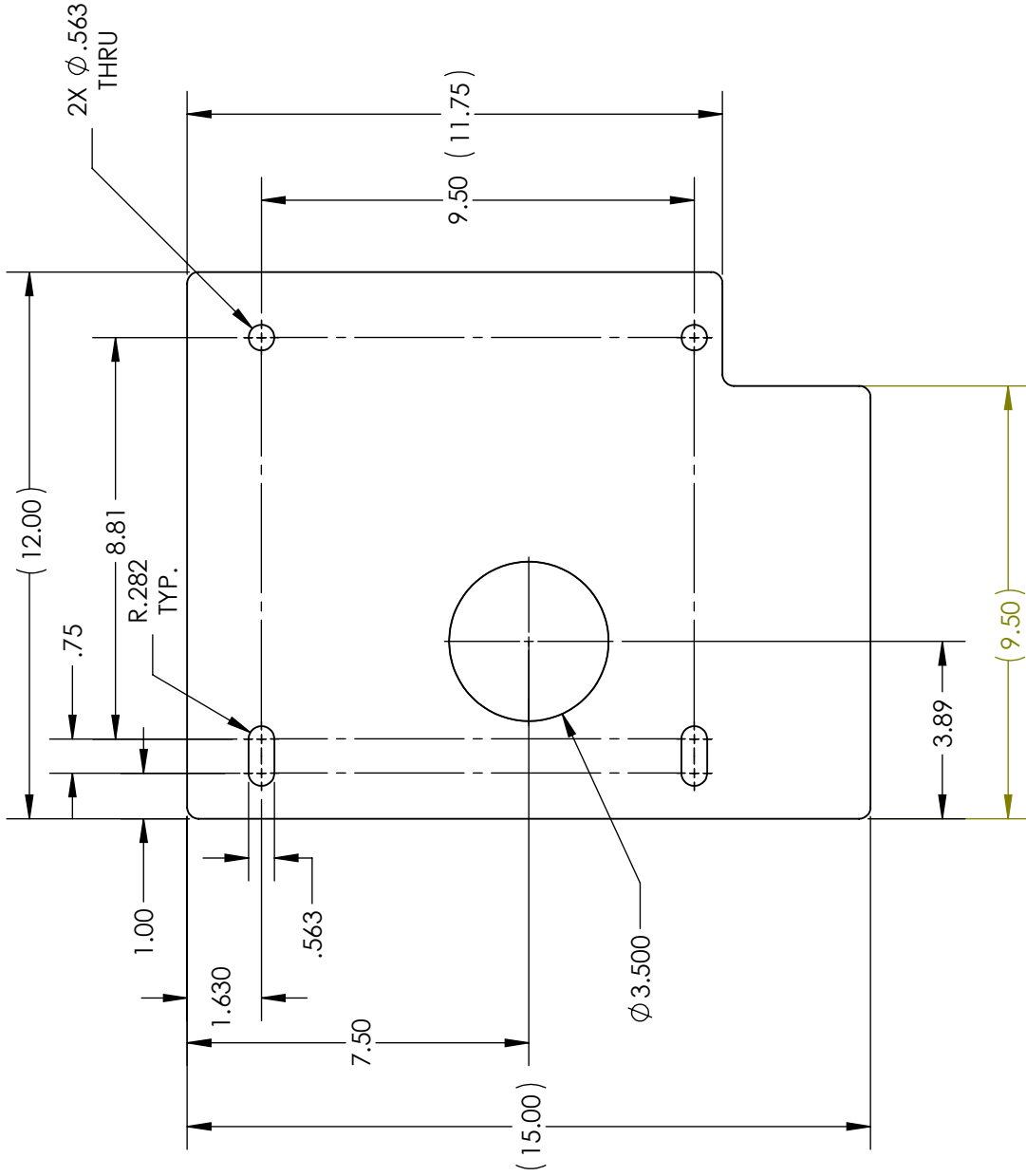
For truck mounting the crane must be mounted on a structure that will carry the loads to both sides of the truck frame. Sample mounting instructions are available from Liftmoore upon request.
2. Layout the mounting holes for the crane as shown in the drawing No. 50495 in this manual. The base plate for this crane is 12" square and 5/8" thick with holes for four 1/2" bolts on a 9.5" square pattern. Drill four 9/16" mounting holes to match the 9.5" square pattern. Cut a minimum 1.5" hole in the center of the mounting to clear the power supply wire that projects through the base plate. Bolt the crane onto the truck using the 1/2" x 2-3/4" Grade 8 bolts supplied. If longer bolts are required, at least Grade 8 quality is needed. Tighten the 1/2" Grade 8 bolts to 120 Ft.-Lbs. Other bolts can be used if they are at least Grade 8 strength and no less than 1/2" diameter.
3. A manual disconnect switch with mounting bracket and terminals is provided with the crane. This switch will act as the main power disconnect for the crane. Removing power from the crane during periods of non-use will help to increase the life of the crane's electrical components. The switch should be mounted as near as possible to the crane and in a position which will facilitate its use. Determine the appropriate mounting position for the switch and use the supplied terminals to splice in to the crane's main power cable. We recommend that this be below the welding connector supplied with the crane. Drawing No. 50377 illustrates where we recommend installing the disconnect switch, welding connector and circuit breaker.
4. The vehicle's battery should have a capacity of at least 90 Amp Hr. A second battery located near the crane is **STRONGLY** advised. This will keep the voltage as near 12 Volts as possible while the crane is running. The life of the crane's electrical components will be longer if the voltage is as near 12 volts as possible. A deep cycle battery provides the best battery life. Connect the second battery in parallel with the truck's original equipment battery using at least No. 1 battery wire.
5. Install the 150 Amp circuit breaker near the battery supplying the crane and on the battery's positive line with a universal or marine type wing nut lug terminal. This breaker is to protect the battery in event of an accidental grounding of the positive wire anywhere along its length. Use a section of the wire and the terminals supplied to connect between the battery and the circuit breaker. See drawing No. 50377.
6. Run the No. 1 battery cable along the inside of the chassis frame to the circuit breaker if a second battery is not used. Make sure that the cable is protected avoiding sharp edges and heat sources such as the muffler or catalytic converter. Use loom for protection whenever the cable passes through the body, frame or other metal objects. The quick disconnect under the crane must be accessible. Always leave this disconnected to take the crane out of the electrical circuit when it is not in use.



MODEL 206 & LA6K INSTALLATION INSTRUCTIONS, Cont.

7. Install the extra ground wire supplied from the negative battery terminal to the truck's main frame. Grounding the battery to the frame protects the chassis wiring. Leave the regular ground to the engine as is. The battery end of both wires can be clamped together using a universal type battery connector. This ground must be in place to protect the truck's wiring and for efficient operation of the crane. A good ground must exist for the crane to work. Leaving this ground wire off can damage the truck chassis wiring as it may then carry some of the crane circuit's current. This wire must be as large as the battery lead wire for the system to operate efficiently.
8. A boom support must be installed to secure the boom when the truck is moved. Mount an eye on the boom rest for the hook as shown in Liftmoore's Accessories bulletin. The wire rope can then be used to secure the boom in the rest.
9. An outrigger or jackstands must be installed to keep the truck and the crane as level as possible under all expected working conditions. Keeping the crane level reduces the loads on the rotation gear. This will also protect the truck's springs, axle and wheels when heavy loads are suspended from the crane.
10. Additional truck springs may be necessary depending upon the size of the truck and location of the crane on the truck. Add springs to bring the truck level after all equipment is mounted.
11. The crane is now ready to use. Read the Operating Instructions section of the Owner's Manual before operating the crane. When operating the crane for the first time, run the cylinders through their full extension cycle to purge any air from the cylinder. Operate the crane to assure complete operation of all functions.
12. Place these Installation Instructions and the Owner's Manual with Operating Instructions in a convenient place for the user to find and use before operating the crane.
13. When complete, turn off the crane power switch and disconnect the welding connector.





PROPRIETARY AND
CONFIDENTIAL
ALL INFORMATION
CONTAINED IN THIS
DRAWING IS THE
SOLE PROPERTY OF
LIFTMOORE INC.
REPRODUCTION IN
WHATEVER MANNER
WITHOUT THE WRITTEN
PERMISSION OF
LIFTMOORE INC. IS
PROHIBITED.

MACH. PART TO BE A MINIMUM
250 RMS UNLESS SPECIFIED
DEFAULT TOLERANCES
UNLESS SPECIFIED:
XX ± .030
XX ± .100
XX ± .150
XX ± .5
FRAC: 1/16
CHECKED: NA
DATE: 06/22/2020
ENG APPR: DF

LIFTMOORE INC.

MOUNTING PATTERN 206 SP

OFFSET PEDISTAL

DRAWN: JE
MTRL: SHEET 1 - 1
WEIGHT: 22.594 LBS

50931

06/22/2020

06/22/2020

DWG. NO.

REV

A

REV

A

REV

A

REV

A

REV

A

REV

A

REV

A

REV

A

REV

A

REV

A

REV

A

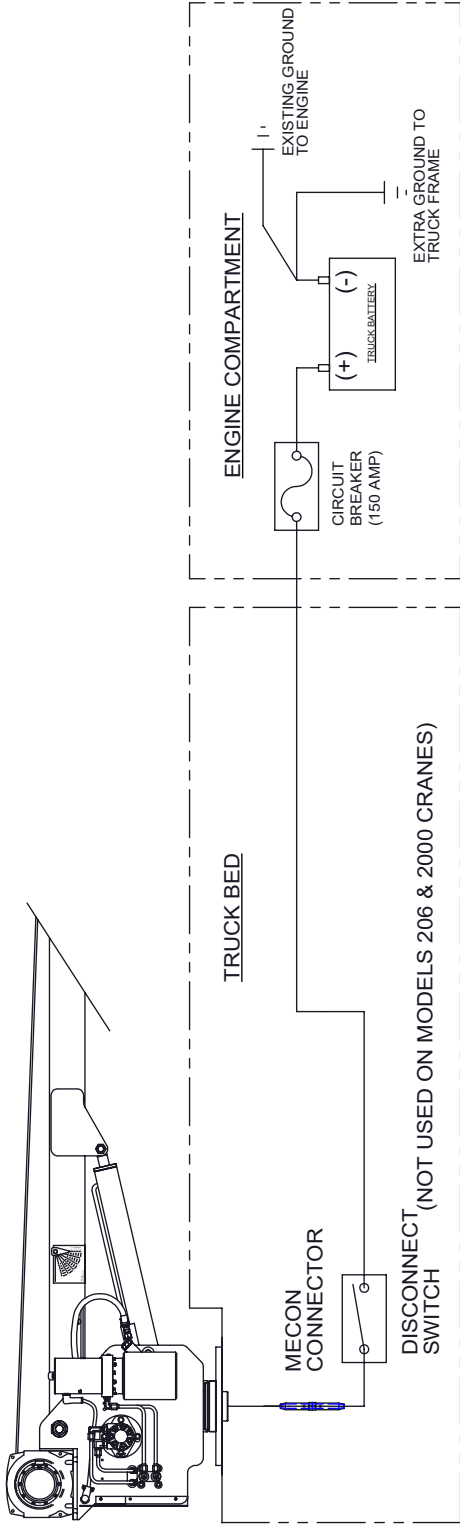
REV

A

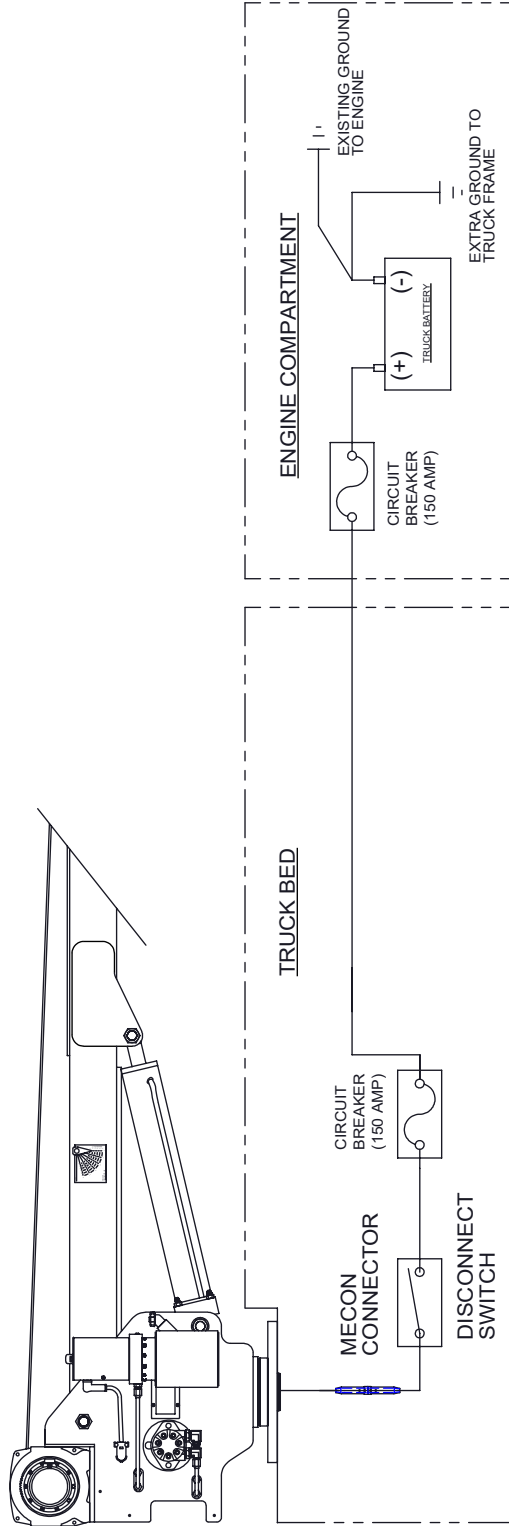
REV

A

SUGGESTED WIRING SCHEMATIC FOR 208, 2000, 2700AR MODEL AND SMALLER CRANE
INSTALLATION:



SUGGESTED WIRING SCHEMATIC FOR 3200 UP TO 4000 MODEL CRANE INSTALLATION:



Houston TX
(713)-688-5533
www.liftmoore.com



SCHEM, CRANE ELEC. INSTAL-ELEC
FOR 4000 & SMALLER ELECTRIC CRANES

DRWN BY: JC
DATE: 06/03/08

DRAWING NO.

50377-F

CRANE SAFETY RULES

CAUTION!

1. READ AND UNDERSTAND OPERATOR'S MANUAL.
2. INSPECT VEHICLE AND CRANE, INCLUDING ITS OPERATION BEFORE DAILY USE.
3. USE THIS EQUIPMENT ONLY ON SOLID LEVEL GROUND WITH OUTRIGGERS OR JACKSTANDS PROPERLY SET.
4. BEFORE OPERATING THE CRANE REFER TO MAXIMUM LOAD CHART ON CRANE FOR OPERATING LOAD LIMITS.
5. BE SURE LOAD BEING LIFTED IS WITHIN SAFE WINCH CAPACITY AS WELL AS SAFE CRANE CAPACITY. MULTI-PART LINE OPERATION IS REQUIRED WHEN SINGLE LINE LOAD CAPACITY OF WINCH IS EXCEEDED.
6. DO NOT OPERATE, WALK, OR STAND UNDER THE BOOM OR ANY SUSPENDED LOAD.
7. ALWAYS PAY OUT LOAD LINE BEFORE EXTENDING BOOM. WIRE ROPE DAMAGE AND / OR BREAKAGE MAY OCCUR.
8. BOOM MUST BE IN ITS REST BEFORE MOVING VEHICLE.
9. BOOM TIP MUST BE DIRECTLY OVER THE LOAD BEFORE ANY LIFTING IS STARTED. DO NOT DRAG LOADS WITH THIS CRANE.
10. MAINTAIN THIS CRANE AS REQUIRED IN THE OWNER'S MANUAL.
11. DO NOT ALLOW PERSONNEL TO RIDE ON THE LOAD LINE, LOAD, OR BOOM OF THIS CRANE.
12. IT IS UNLAWFUL TO OPERATE THIS EQUIPMENT WITHIN TEN FEET OF HIGH VOLTAGE LINE



THIS PAGE INTENTIONALLY LEFT BLANK



F1122-B
05/12/08

HOUSTON, TEXAS
FAX: (800) 824-5559 (USA & Canada)
FAX: (713) 688-6324
PHONE: (713) 688-5533
www.liftmoore.com

INTRODUCTION

This crane is a powerful machine designed to lift and move heavy loads. There are many hazards associated with these operations. Liftmoore has designed this crane to be as safe as possible but -

IT IS THE OPERATOR'S RESPONSIBILITY TO PREVENT ACCIDENTS!

This takes pre-planning, attention, and knowledge of basic principles and rules. Even if you have used similar cranes, reading this manual in its entirety will help prevent damage, injury, or even loss of life; benefits well worth the short amount of time it takes to read these pages.

REGULATORY AUTHORITY

Use of this crane is governed by OSHA 29 CFR 1910.180 and may be governed by other federal, state, or local regulations.

IT IS THE OPERATOR'S RESPONSIBILITY TO UNDERSTAND AND COMPLY WITH ALL APPLICABLE REGULATIONS GOVERNING THE OPERATION, INSPECTION, AND MAINTENANCE OF THIS CRANE.

Personnel should be trained, tested, and certified, as recommended by OSHA and ANSI standards, before operating this crane.

USING THIS MANUAL

This manual assumes that the crane is mounted on a typical service body type or similar truck, which is powered by the vehicle electrical or hydraulic system, and is controlled by either the standard pendant control or FM radio control sold by Liftmoore, Inc.

This manual is supplied to provide basic guidelines for the safe use, routine maintenance, and general inspections of this crane.

This manual is supplied to provide basic guidelines for the safe use, routine maintenance, and general inspections of this crane.

Laws, regulations, standards, or policies may be more restrictive than this manual. If a conflict exists for any limit or condition, the safest or most prohibitive shall be used. Under no circumstances shall the load, moment, or stability ratings be exceeded.

Pay particular attention to the following:

WARNING! – Draws attention to hazards, conditions, or procedures that if not observed could result in injury or death.

CAUTION! – Draws attention to hazards, conditions, or procedures that if not observed could result in damage to the crane, load, or other equipment. Equipment failure could in turn lead to injury or death.

NOTE! – Draws attention to conditions or procedures that are essential to emphasize.

For questions, interpretations, or to report errors, please contact Liftmoore, Inc, Engineering Dept.



OPERATING RESTRICTIONS

DUTY CYCLE

For Electric Cranes the duty cycle time should be limited to 10%. This is limited by heat buildup in the motors and declining charge in the batteries. (Installing extra batteries near the crane helps keep the voltage at maximum.)

PERSONNEL

LIFTING OR MOVING OF PERSONNEL IS STRICTLY PROHIBITED! This crane was neither designed nor intended to lift personnel. Under no circumstances should anyone be allowed to ride on the crane, line, or load. All non-essential personnel must be kept away when using the crane. The load must never be moved over people, nor must anyone be allowed to pass or stand under a suspended load.

ELECTRICAL LINES

Consult ANSI B30.5 for operating procedures, minimum safe distances, and prohibited zones when working around electrical lines or poles.

When operating near electrical power lines, the crane must be positioned so that the distance from the crane to the lines or poles is equal to or greater than the length of the fully extended boom plus the minimum safe distance required.

All parts of the crane, line, and load must be kept a minimum safe distance from electrical power lines and poles. This distance is 10 feet for electrical lines carrying 50kV or less.

UNDER NO CIRCUMSTANCES SHOULD A CRANE BE OPERATED UNDER ELECTRICAL POWER LINES.

OPERATING PRACTICES

SETUP

POSITION The vehicle must be positioned so that the load is kept as close to the crane base as possible to reduce the moment on the crane. Consideration must be given to starting and ending position as well as firmness and slope of the ground and any obstructions.

OUTRIGGERS The outriggers or jackstands must be firmly set and the vehicle as level as possible. This will reduce the stresses on the rotation drive and keep the load off the vehicle's suspension. Keep in mind that the weight on the vehicle will shift as the crane and load are rotated.

LOAD LIMIT The operator must understand the crane load chart. The operator must ensure that the load is within the load limits over the entire range which it will be moved. Be sure to include the weight of any lifting devices including the travel block.

The load limit chart is attached to the side of the crane to aid the operator.

The boom angle indicator and chart aids the operator in determining the load capacity at various boom angles and extensions. It also gives the load limit at that configuration.

STABILITY The operator is responsible to verify that the truck is stable at any area where the Crane is rotated.

TRAVEL BLOCK The operator must determine if the load is within the single line compatibility of the winch or if a multi-part line configuration is needed.



REEVING Ensure the proper routing of the rope through the sheaves and travel block. The rope must lie in the sheave groove and must not rub against any metal objects.

Ensure the rope is correctly wound on the winch drum. The crane assembly drawing will indicate if the rope must be wound over the top or bottom of the drum. The rope must never contact any part of the winch mounting.

WARNING!

If the winch winding direction is reversed the brake will not work and the load will fall.

ATTACHING THE LOAD

POSITION The boom tip must be moved over the load before lifting so that it will be lifted straight up.

CAUTION!

Never drag a load with the crane. Dragging a load puts very high stresses on the crane for which it was not designed.

ROPE Check the rope condition to ensure it is not frayed or damaged. Ensure that the rope is not kinked and that it does not contact any sharp edges or make any sharp bends.

If using double line configuration, ensure that the lines are not twisted.

CAUTION!

Never wrap the hoist rope around the load! Serious damage to the rope WILL occur.

HOOK Always make sure the load is applied to the throat of the hook. Never use a bent hook.

CAUTION!

Always lift with the throat of the hook. Never lift with the load applied to the tip of the hook. Doing so will bend the hook.

SLINGS If the load does not have a lifting eye, use a nylon, chain, or other type of sling designed for lifting and rated for loads greater than that being lifted.

BALANCE Ensure the load will be secure and balanced when lifted. Ensure that the load cannot shift in the sling and that the sling cannot slide across the hook should the load become unbalanced.

LIFTING THE LOAD

Before lifting, ensure that the load is free from all mountings and is no way attached or stuck to anything.

Ensure that at least five full wraps remain on the winch drum at all times.

Test the winch brake by lifting the load a few inches and ensuring that it does not slip.



HOLDING THE LOAD

The operator must keep the load in sight at all times once it is lifted.

The operator must never leave the controls once the load is lifted.

The operator must ensure that no one is allowed to pass or stand under a suspended load.

CAUTION!

Never move the vehicle with a suspended load. Doing so will put dynamic loads on the crane for which it was not designed.

MOVING THE LOAD

Before moving the load, make sure the path is free of any obstructions or people.

Avoid sudden accelerations or stops. Speeds must be kept to a minimum, especially rotation, to keep the load from swinging.

Avoid sudden reversing of direction. Do not reverse direction while the load is still moving.

Make sure the that no part of the crane, boom, or load makes contact with any obstruction or comes within a minimum of ten feet from any electrical line.

TRANSIT

While in transit, the crane must be stowed, preferably in a boom rest. The crane must be prevented from rotating and the hook prevented from swinging.



INSPECTION AND MAINTENANCE

OSHA and ANSI require frequent and periodic inspections. Records of these inspections must be kept readily available. Liftmoore requires periodic maintenance to ensure proper operation and prolonged life of the crane.

INSPECTION

DAILY INSPECTION

OSHA 29CFR 1910.180 (d)(2)(i) requires the following be checked daily prior to use:

- All control mechanisms for maladjustment interfering with proper operation as well as for excessive wear of components and contamination by lubricants or other foreign matter.
- All safety devices for malfunction. This should include the anti-two block and pressure switch.
- Deterioration or leakage in air or hydraulic systems.
- Crane hooks with deformations or cracks. For hooks with cracks or having more than 15 percent in excess of normal throat opening or more than 10 deg. twist from the plane of the unbent hook.
- Electrical apparatus for malfunctioning, signs of excessive deterioration, dirt, and moisture accumulation. This should include the battery terminals, master disconnect switch, electrical swivel
- The wire rope shall be replaced if any of the following conditions are noted:
 - Kinking, crushing, bird-caging, or other damage
 - Reductions from nominal diameter of more than one-sixty-fourth inch for diameters up to and including five-sixteenths inch, one-thirty-second inch for diameters three-eighths inch to and including one-half inch.
 - Thimble is not in place or is damaged
 - Any evidence of heat damage
 - Six or more randomly distributed broken wires in 1 lay
 - Three or more broken wires in 1 strand in 1 lay

MONTHLY INSPECTION

A thorough inspection of all ropes in use shall be made at least once a month and a certification record which includes the date of inspection, the signature of the person who performed the inspection and an identifier for the ropes shall be prepared and kept on file where readily available. All inspections shall be performed by an appointed or authorized person. Any deterioration, resulting in appreciable loss of original strength shall be carefully observed and determination made as to whether further use of the rope would constitute a safety hazard. Some of the conditions that could result in an appreciable loss of strength are the following:

- Reduction of rope diameter below nominal diameter due to loss of core support, internal or external corrosion, or wear of outside wires.
- A number of broken outside wires and the degree of distribution of concentration of such broken wires.



- Worn outside wires.
- Corroded or broken wires at end connections.
- Corroded, cracked, bent, worn, or improperly applied end connections.
- Severe kinking, crushing, cutting, or unstranding.

PERIODIC INSPECTION

An Annual Inspection Form is included in this manual. OSHA 29CFR 1910.180 (d)(2)ii) requires periodic inspections of this crane. Liftmoore recommends an annual inspection using the included form.

MAINTENANCE PRECAUTIONS

The crane should be maintained monthly for safety reasons and to reduce stress on the crane.

WARNING!

Never perform any maintenance while the crane has any type of load on it. Use the manual operation procedure to lower the load if necessary.

WARNING!

Hydraulic cylinders may have high pressure stored in them even after hydraulic power is removed.

The counterbalance and pilot operated check valve in the cylinder will always hold some pressure in the cylinder. Slightly extending the cylinder then retracting a small amount will relieve most of the pressure in the cylinder. **DO NOT DEADHEAD THE CYLINDER!** This will store the maximum amount of pressure in the cylinder. Care should be taken when either valve is removed from the cylinder as some pressure will still remain.

After any maintenance has been performed the crane shall not be operated until all guards have been reinstalled, all safety

devices reactivated, and maintenance equipment removed.

LUBRICATION Refer to the crane specification section for the periodic maintenance schedule and type of lubrication required.

BOLTS Bolts may loosen over time due to vibration; therefore they should be checked periodically. If bolts need to be replaced, make sure they are replaced with bolts of equal or greater strength. Check the periodic maintenance schedule (Crane Specification Section) for bolt specification and torque.

NOTE!

Sheave and boom and cylinder pivot bolts are not standard bolts. The shank and thread length of these bolts have been modified so that they do not pivot on the threads. Consult the parts section of this manual for part numbers of these bolts.

OTHER MAINTENANCE

Refer to parts drawings for any specific maintenance or adjustment procedures such as hydraulic winch brake, rotation drive gear set adjustment, Ect.



MONTHLY INSPECTION REPORT

Manual Boom Extension

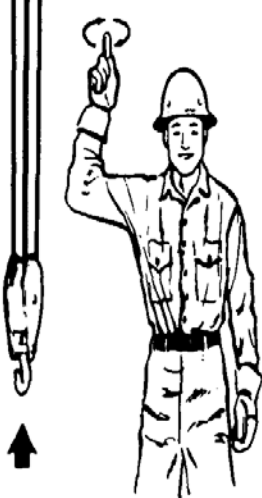
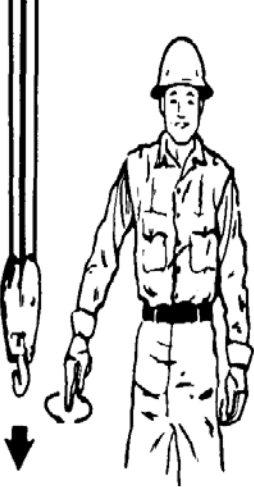


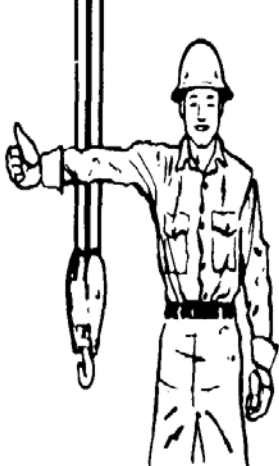
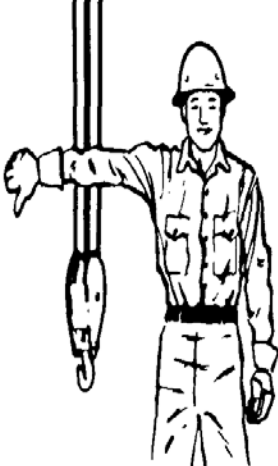
Crane Model No. _____ **Serial Number** _____

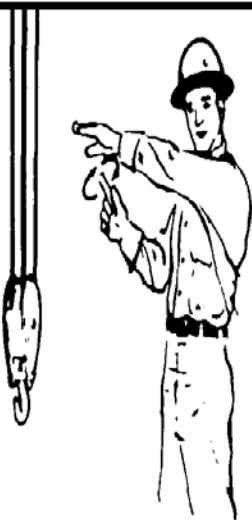
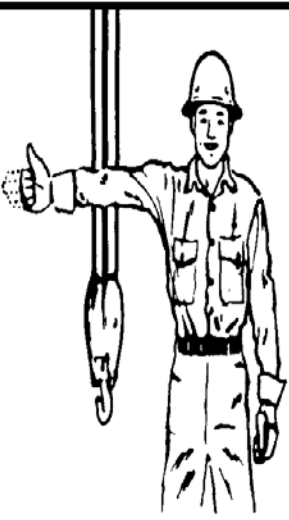
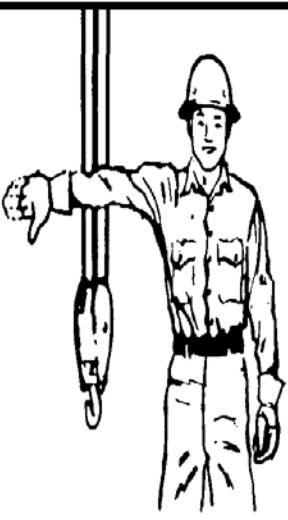
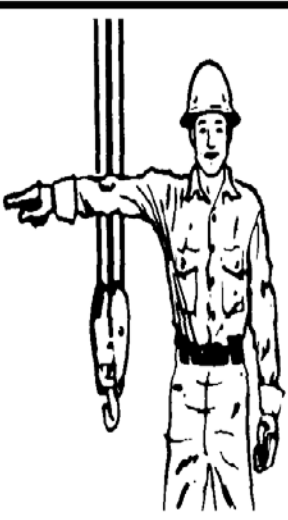
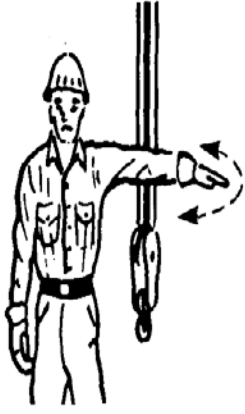
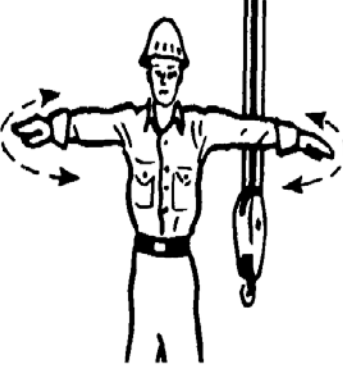
- Are Boom Hitch Pins and Keepers in place? Yes _____ No _____
- Wire Line Hook with Safety Latch Working? Yes _____ No _____
- Is Hook OK, (Not bent)? Yes _____ No _____
- Is Thimble on Wire Rope OK? Yes _____ No _____
- Does Traveling Block function correctly? Yes _____ No _____
- Is Wire Rope OK, not kinked or frayed? Yes _____ No _____
- Are all Boom Sections straight? Yes _____ No _____
- Are Sheave Bolts in place and tight? Yes _____ No _____
- Do all Sheaves rotate easily? Yes _____ No _____
- Are Mounting Bolts torqued correctly? Yes _____ No _____
- Is Boom Angle Indicator in place and functioning,
and is Chart legible? Yes _____ No _____
- Are Cylinder or Boom Support Mounting Bolts secure? Yes _____ No _____
- Are Winch Mounting Bolts tight? Yes _____ No _____
- When stopped, does winch down drift less than 1.0 Inches? Yes _____ No _____
- Is Load Chart in place and easily read? Yes _____ No _____
- Are functions on Pendant operating correctly? Yes _____ No _____
- Is Hydraulic Reservoir full? Yes _____ No _____
- Is Outrigger or jackstand straight and functioning? Yes _____ No _____

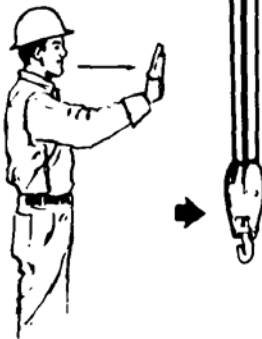

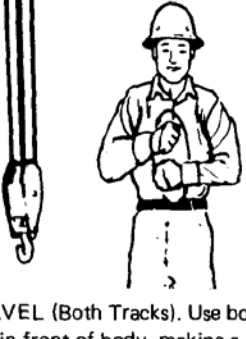





Any items checked 'No' must be repaired before using this crane.



STANDARD HAND SIGNALS FOR CONTROLLING CRANE OPERATIONS

 <p>HOIST. With forearm vertical, forefinger pointing up, move hand in small horizontal circle.</p>	 <p>LOWER. With arm extended downward, forefinger pointing down, move hand in small horizontal circle.</p>	 <p>USE MAIN HOIST. Tap fist on head; then use regular signals.</p>
 <p>USE WHIPLINE (Auxiliary Hoist). Tap elbow with one hand; then use regular signals.</p>	 <p>RAISE BOOM. Arm extended, fingers closed, thumb pointing upward.</p>	 <p>LOWER BOOM. Arm extended, fingers closed, thumb pointing downward.</p>

 <p data-bbox="256 751 597 930">MOVE SLOWLY. Use one hand to give any motion signal and place other hand motionless in front of hand giving the motion signal. (Hoist slowly shown as example.)</p>	 <p data-bbox="630 751 971 898">RAISE THE BOOM AND LOWER THE LOAD. With arm extended, thumb pointing up, flex fingers in and out as long as load movement is desired.</p>	 <p data-bbox="1003 751 1344 930">LOWER THE BOOM AND RAISE THE LOAD. With arm extended, thumb pointing down, flex fingers in and out as long as load movement is desired.</p>
 <p data-bbox="264 1497 597 1570">SWING. Arm extended, point with finger in direction of swing of boom.</p>	 <p data-bbox="638 1497 954 1602">STOP. Arm extended, palm down, move arm back and forth horizontally.</p>	 <p data-bbox="995 1497 1328 1602">EMERGENCY STOP. Both arms extended, palms down, move arms back and forth horizontally.</p>

 <p>TRAVEL. Arm extended forward, hand open and slightly raised, make pushing motion in direction of travel.</p>	 <p>DOG EVERYTHING. Clasp hands in front of body.</p>	 <p>TRAVEL (Both Tracks). Use both fists in front of body, making a circular motion about each other, indicating direction of travel, forward or backward. (For land cranes only.)</p>
 <p>TRAVEL (One Track) Lock the track on side indicated by raised fist. Travel opposite track in direction indicated by circular motion of other fist, rotated vertically in front of body. (For land cranes only.)</p>	 <p>EXTEND BOOM (Telescoping Booms). Both fists in front of body with thumbs pointing outward.</p>	 <p>RETRACT BOOM (Telescoping Booms). Both fists in front of body with thumbs pointing toward each other.</p>
 <p>EXTEND BOOM (Telescoping Boom). One Hand Signal. One fist in front of chest with thumb tapping chest.</p>		 <p>RETRACT BOOM (Telescoping Boom). One Hand Signal. One fist in front of chest, thumb pointing outward and heel of fist tapping chest.</p>

206REL PENDANT CONTROL SYSTEM

All user inputs are facilitated by the remote pendant control. The pendant consists of pistol grip housing, function switches, wire, and control plug. The control plug mates with the crane control socket.

Elevation and Rotation function switches activate the hydraulic pump along with the applicable function valve.

Hoist Up and Elevation Down output signals are dependant on an input signal from the load sensor. If the load sensor is activated then these functions will not work until the overload condition is corrected.

OPERATION

Plug the pendant into the crane control socket. Ensure all pins are straight and free of dirt, moisture, and corrosion. Turn the locking ring approximately 1/3 turn until it clicks into the locked position.

Select the function switch and direction as indicated on the label for the desired operation.

CARE AND MAINTENANCE

The pendant control is designed to be as rugged and maintenance free as possible; however, care should be used in handling and storage as it is expensive to replace.

Follow these simple practices:

- Keep the pendant out of the weather
- When not in use, store the pendant inside the vehicle
- Do not wrap the wire too tightly as internal damage to the wires may result
- Do not place sharp or heavy objects on the cord

NOTE!

The pendant is designed to be weatherproof not waterproof. It may be used in inclement weather, but if left outside or where water can puddle, water can seep inside.

Maintenance should be limited to routine inspection of the plug, wire, and fasteners.

SAFETY SYSTEM

The safety system is designed to help prevent damage to the crane that would be caused by overload. When the pressure switch detects an overload, winch up and boom down are deactivated since these directions would cause damage. Winch down, boom up, and power rotation will still function so that the crane can be moved to a safe configuration.

CAUTION!

Never de-activate or override safety functions. Doing so can result in serious damage to the crane and possibly injury or death.

LOAD SENSOR

A pressure activated switch in the elevation cylinder acts as a load sensor. This switch is normally closed and opens at the preset pressure corresponding to the rating of the crane.

CAUTION!

The load sensor will not function when the elevation cylinder is fully retracted and is inaccurate when the boom is below horizontal.

CAUTION!

The operator must never rely strictly on the load sensor to determine overload conditions. The load and load limits must always be known and adhered to.



MISCELLANEOUS

UP LIMIT SWITCH

The up limit switch prevents the elevation cylinder from reaching full extension. If the elevation cylinder were to “dead-head”, the resulting pressure would activate the load sensor, preventing boom down. The boom would then have to be lowered using the manual operation buttons on the solenoid valves.

FUSE

A fuse is supplied with the crane and should be installed as close to the battery as possible.

DISCONNECT SWITCH

A power disconnect switch is supplied with the crane. Power to the crane should be turned off whenever not in use. This is to prevent inadvertent or unauthorized use and will help prevent corrosion at electrical connections.



HYDRAULIC SYSTEM FOR ELECTRIC CRANES

The hydraulic system consists of the hydraulic pump, manifold, solenoid valves, cylinders, motors, and tubing and hoses. Hydraulic power is generated by the electrically driven hydraulic pump on the outside of the housing. The hydraulic system is plumbed in series so that more than one function can be operated simultaneously.

PUMP

The hydraulic pump assembly consists of a DC permanent magnet electric motor, pump, and reservoir.

The motor is activated by the pump solenoid. The solenoid is energized by the pendant control whenever a hydraulic function is activated.

The pump provides fluid pressure to power hydraulic functions. The system incorporates an adjustable relief valve to prevent damage that can be caused by over pressurizing the system.

Fluid is drawn from and returned to the reservoir. Servicing the hydraulic pump consist of maintaining the oil level. The reservoir should be kept as full as possible to prevent condensation from forming inside the tank. Also ensure the oil is not contaminated by water, dirt, rust, etc. See crane specification sheet for hydraulic oil type.

SOLENOID VALVES

Each hydraulically operated function is controlled by a 4-way, 3-position (open and close) center solenoid valve. It is electrically operated and spring biased to center. A manual operation button is incorporated in the coil-retaining nut. Valves are mounted to the series manifold.

CYLINDERS

Most hydraulic cylinders are double acting cylinders with integrally mounted counterbalance valve and pilot operated check valves. Refer to the cylinder drawings for specific information.

All cylinders use a counter-balance load holding cartridge valve on the extend port.

This valve performs 3 functions:

- Controls the rate of decent when lowering the load
- Keeps load from falling in the event of sudden loss of system pressure, such as when a hose bursts.
- Acts as a relief valve to prevent damage from induced load or thermal expansion.

It allows free flow to extend then blocks flow until opened by pilot pressure to the retract port or when the relief pressure is reached.

Some cylinders utilize a pilot operated check valve on the retract port to prevent the cylinder from creeping out under no load conditions. This valve allows flow into, but prevents flow from the retract port, thus hydraulically locking the cylinder until opened by pilot pressure to the extend port.

MOTORS

THE HYDRAULIC MOTOR USED BY THE ROTATION DRIVE IS A HIGH-TORQUE, LOW-SPEED CONSTANT DISPLACEMENT MOTOR. MANUAL OPERATION

If electrical problems occur the solenoid valves may be operated manually by depressing the manual operation button incorporated in the coil-retaining nut. Using a blunt object such as a bolt or screwdriver handle may be required to assist operation if high pressures are needed. Refer to the manifold drawing for function valves and directions.

If possible, activate the pump by activating a hydraulic function on the pendant. If this does not work, then energize the pump solenoid using a jumper from the hot side of



the solenoid to the coil post where the WHT/BLK wire is connected. If this fails also then battery voltage can be applied directly to the pump motor.

If hydraulic power is lost while a load is suspended, the load can be lowered by decreasing the setting on the counter-balance valve. This should only be done in extreme cases. The valve must be reset before the crane is returned to use.

WARNING!

The boom may fall if the adjustment is made too fast. Do not stand where the boom may hit you if it falls. Serious injury or death may result

WARNING!

The area between the boom and the cylinder, the boom and the housing, and the cylinder and the housing will change as the boom position changes and could form pinch points. Do not position any part of your body in these areas as it may be pinched or crushed as the boom lowers.

To decrease the setting, loosen the locknut on the valve, then slowly turn the adjustment stem **CLOCKWISE** until the load begins to lower. Count the number of turns so that the valve can be returned to its original setting.

Alternately, a pressure gage must be put on the retract port to adjust the setting so that approx. 1800 PSI is required to lower the boom with no load.

Test the setting by lifting a known load near the moment rating.

TROUBLESHOOTING ELECTRIC CRANES

LOAD SENSOR LIMITING IN PENDANT

GENERAL

If a problem exists, always start with the basics and work towards the more complicated.

On electric cranes, power enters the crane through an electric swivel, runs to the solenoid and is jumpered to the winch contactor on the outside of the housing. The contactor sends electrical power to the winch when it receives a 12V input signal. Similarly, the hydraulic pump is switch through the solenoid when a hydraulic function (rotation, elevation, or extension) is activated.

When diagnosing an electrical problem, it is important to start by ensuring that the crane is receiving full electrical power from the battery and that the crane is properly grounded. Running the truck is a good way to ensure proper battery power, but caution must be used to avoid carbon monoxide poisoning in closed areas. The diagnosis begins by verifying that power is getting through the swivel.

POWER IN AND SWIVEL

If a problem exist, first ensure that the crane is receiving full voltage of at least 12VDC.

Start by checking for power out of the truck at the Mecon connector on the bottom of the crane. Next, check for power on the top post of the solenoid mounted inside the crane housing. If this post does not have power, but the Mecon connector does, the problem is in the electric swivel. See the Electric Swivel Assembly drawing for a full breakdown of the electric swivel and to order parts.

HYDRAULIC PUMP POWER

If power is being transmitted through the swivel, but the hydraulic pump will not run there may be a problem in the pump solenoid. First, ensure that the solenoid is grounded properly by checking continuity between the truck frame and the grounding post on the solenoid.

Next, inspect the incoming power wire from the swivel, the outgoing jumper to the pump, and the pump ground wire for corrosion or breaks.

Finally, check for 12V at the White/Black control wire when a hydraulic function switch is activated. If this has power but the motor wire does not, the solenoid may be bad or poorly grounded.

ELECTRIC WINCH

Because the winch is reversible and electrically operated, a contactor is used to supply the electrical power to the unit. The contactor is under the contactor cover on the outside of the crane housing.

If the winch is not functioning properly, first verify that the contactor is receiving full power from the positive jumper on the solenoid and that the contactor is properly grounded.

Next, check that the control wires from the receiver are supplying 12V of signal when a winch function is activated.

If all these check out but the positive motor wire at the winch is dead, the contactor may need replacement.



HOIST UP / BOOM DOWN

If Hoist Up and Boom Down out do not work, the problem is likely in the crane safety system. The problem may be the load sensor, the associated wiring, or the pendant.

CHECK LOAD SENSOR

Disconnect and check for continuity between the two load sensor wires. If there is no continuity, the load sensor is bad and needs to be replaced.

Check the white wire on the crane to ensure that it is receiving voltage, if not, check the fuse and follow the wiring back to the power input (see the Power In and Swivel section above if necessary) checking for loose connections or broken wires.

SOLENOID VALVES

If one function does not work, try to operate it manually. If it does not work, either the solenoid or the applicable actuator is malfunctioning. Contact Liftmoore for more information.

If it works manually, then the problem is electrical. Disconnect the electrical connector going to the applicable solenoid valve. Check for voltage when the switch is activated, the voltage should be at least 12V (battery voltage).

If no voltage is received, check the continuity between the connector and the applicable pin on the crane control socket for non-safety function or the relay card for safety functions. If there is no continuity, then a check for broken wires or bad connections. If the wiring is good, then check the control pendant or relay card.

If the voltage checks good, check the resistance on the coil. Connect an ohmmeter to the applicable pin on the receptacle and ground. The resistance

should be between 5 and 6 ohms. If the resistance is near zero then the coil is shorted and needs to be replaced.

If the circuit is open, then check ground on the valve coil. Also check for continuity between the manifold and the crane. If there is no continuity, remove one of the manifold's mounting bolts, clean under the head and reinstall.



PENDANT (NON-FM)

PENDANT (NON-FM)

If no functions work, check that Pin E on the crane control socket has power.

If the crane control socket is getting power, then check that the power wire is not broken. Select a function and direction then check continuity between Pin E and the activated function/direction on the pendant control plug. If there is no continuity then the pendant needs to be repaired or replaced.

FOR HOIST UP AND BOOM DOWN

With the pendant disconnected, activate the function and check for continuity between the function's pin (see table) and Pin M.

FOR ANY OTHER FUNCTION

Check continuity between that function pin (see table) and Pin E on the pendant control plug. There should be continuity once the switch is activated in selected direction.

For hydraulic functions, there should also be continuity between Pin E and Pin K. The continuity should break when the switch is released.

If these conditions are not met then the pendant needs to be repaired.

FUNCTION PINS:

Pin	Function	Color
E	POWER	WHT
F	ROTATE CW	RED
G	ELEV UP	GRN
H	ELEV DWN	ORN
J	HOIST UP	BLU
K	PUMP	WHT/BLK
L	ROTATE CCW	RED/BLK
B	FM GROUND	BRN
P	HOIST DWN	BLK



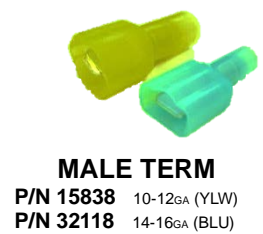
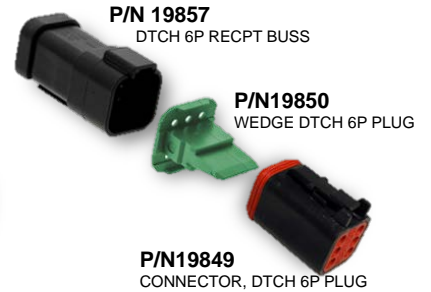
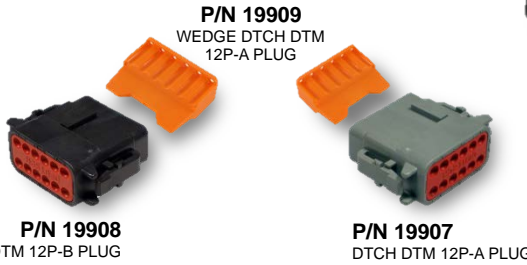
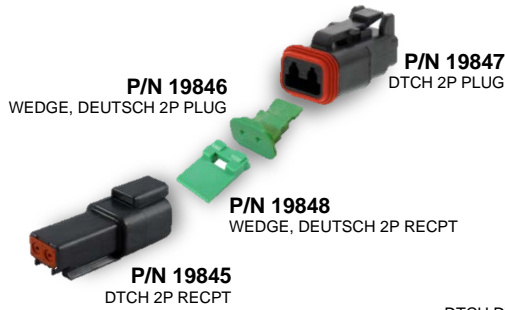
DEUTSCH CONNECTIONS & PINS



FEMALE'S



MALE'S



SECTION 3 CRANE SPECIFICATIONS

MODEL 206REL CRANES

MOMENT RATING 6500 FT-LBS

MAX SINGLE LINE LOAD 1000 LBS

MAX DOUBLE LINE LOAD 2000 LBS

LIFTING CAPACITIES AT VARIOUS LOAD RADII

LOAD RADIUS (FT)	CAPACITY (LBS)
3	2167
5	1300
6	1083
7	929
9	722

HOIST FOR THE M (P/N 22289)

LOAD (LBS)	LINE SPEED (FT/MIN)	AMP DRAW
0	26	25
500	22	70
1000	18	115

ELECTRICAL REQUIREMENTS

VOLTAGE	12 VDC	
CIRCUIT BREAKER	150 AMP	
FUSE	15 AMP	(CONTROL WIRING)

NOTE: FUNCTION TIMES ARE BASED ON THESE INPUT VALUES



F1450-E
12/16/09

HOUSTON, TEXAS
FAX: (800) 824-5559 (USA & Canada)
FAX: (713) 688-6324
PHONE: (713) 688-5533
www.liftmoore.com

CRANE SPECIFICATIONS

(Continued)

MODEL 206WREL CRANES

MOMENT RATING 6500 FT-LBS

MAX SINGLE LINE LOAD 2000 LBS

LIFTING CAPACITIES AT VARIOUS LOAD RADII

LOAD RADIUS (FT)	CAPACITY (LBS)
<3	2000
4	1625
6	1083
8	813
10	650
12	542

HOIST FOR THE WM (P/N 23872)

LOAD (LBS)	LINE SPEED (FT/MIN)	AMP DRAW
0	17	25
400	16	45
1200	14	85

ELECTRICAL REQUIREMENTS

VOLTAGE	12 VDC	
CIRCUIT BREAKER	150 AMP	
FUSE	15 AMP	(CONTROL WIRING)

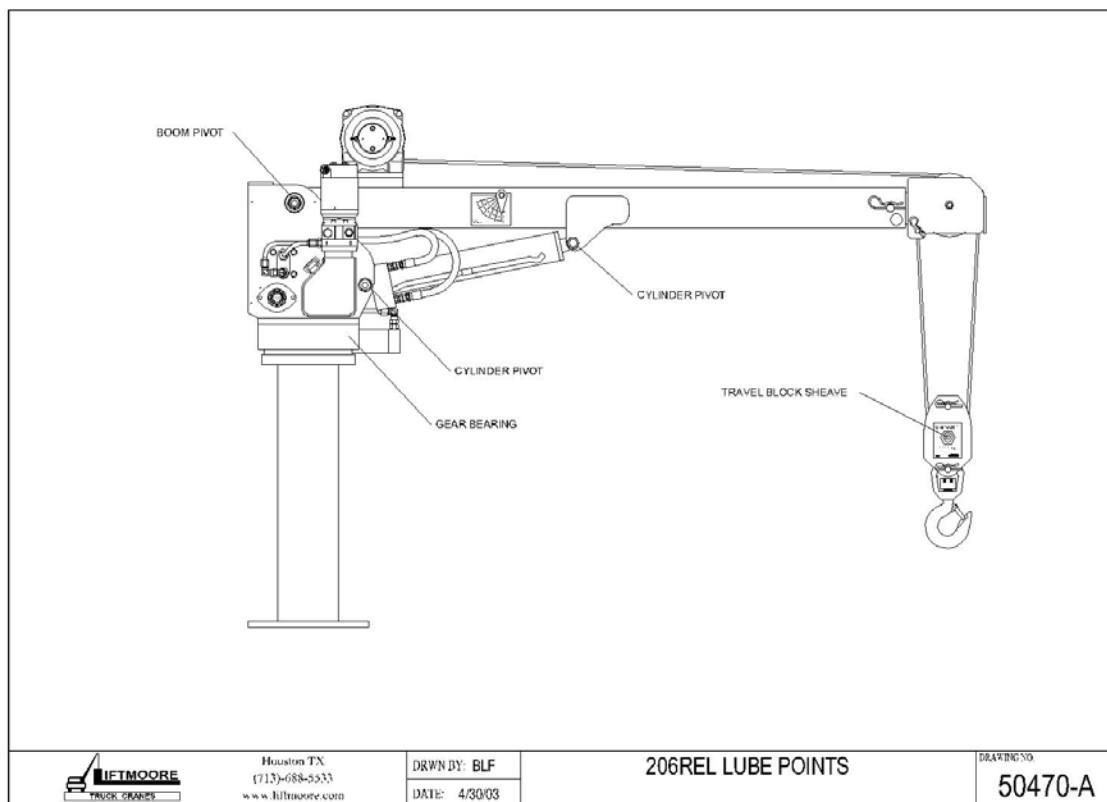
NOTE: FUNCTION TIMES ARE BASED ON THESE INPUT VALUES



F1450-E
12/16/09

HOUSTON, TEXAS
FAX: (800) 824-5559 (USA & Canada)
FAX: (713) 688-6324
PHONE: (713) 688-5533
www.liftmoore.com

PERIODIC MAINTENANCE SCHEDULE MODEL 206 CRANES		
BOLTS		
MOUNTING BOLTS	1/2-13 GRADE 8 TORQUE 110FT-LBS DRY	EVERY 4 MONTHS
LUBRICATION		
GREASE FITTINGS	SEE DRAWING 50470	EVERY OTHER WEEK
HYDRAULIC FLUID	STANDARD Chevron AW Hydraulic Oil 46 or equivalent SAE 15 weight oil COLD WEATHER AW 32 or equivalent SAE 10 weight oil	CHECK DAILY, FILL AS NEEDED
BEARING (ZERK AND TEETH)	Oil Center Research PM 600 Military grease or equivalent Benton Based Grease NLGI Grade 2	EVERY 6 HOURS OF OPERATION



F1450-E
12/16/09

HOUSTON, TEXAS
 FAX: (800) 824-5559 (USA & Canada)
 FAX: (713) 688-6324
 PHONE: (713) 688-5533
 www.liftmoore.com

THIS PAGE INTENTIONALLY LEFT BLANK



HOUSTON, TEXAS
FAX: (800) 824-5559 (USA & Canada)
FAX: (713) 688-6324
PHONE: (713) 688-5533
www.liftmoore.com

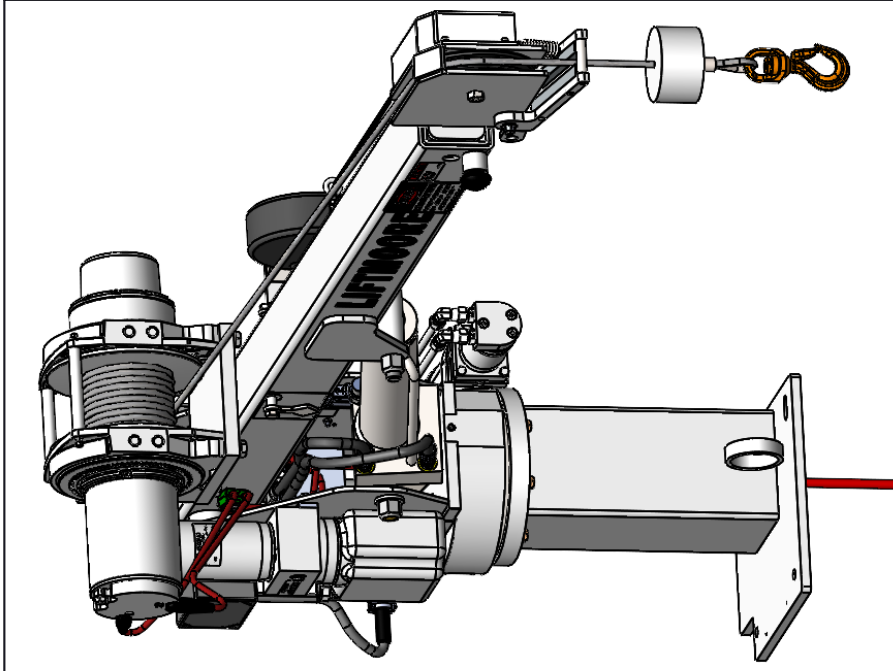
**LIST FOR BOX, CRANE PARTS 206
REL W SP ATB**

Items with * have detailed DWG's.

P/N 29454 - BOX, CRANE PARTS 206REL W SP BAIL ATB
23872 WINCH

- | | | |
|-----|---|------|
| 1) | P/N 29453 - MANUAL, CRANE 206REL WS ATB..... | 1pc |
| 2) | P/N 33021 - WIRE, BATTERY #1 X 25' W\MECON..... | 1pc |
| 3) | P/N 26084 - GROUND 1/ 0X 3' LONG | 1pc |
| 4) | P/N 30760 - PIN, HITCH 0.75 X 4.50 W/H-PIN..... | 1pc |
| 5) | P/N 30815 - SCREW, HHC 0.50-13 X 2.50 GR8..... | 4pcs |
| 6) | P/N 30474 - WASHER, LOCK 0.50 GR5 PLATED..... | 4pcs |
| 7) | P/N 31957 - NUT, HEX 0.50-13 GR8 PLATED..... | 4pcs |
| 8) | P/N 16878 - BREAKER, CIRCUIT 150 AMP..... | 1pc |
| 9) | P/N 16915 - TERMINAL, LUG #1 GA 0.25 DIA..... | 2pcs |
| 10) | P/N 30766 - SWITCH, DISCONNECT..... | 1pc |
| 11) | P/N 17010 - BRACKET, SWITCH MNT. ELE. CRN..... | 1pc |
| 12) | P/N 17063 - TERMINAL, LUG #1 GA 0.37 DIA..... | 2pcs |
| 13) | P/N MH*03171 - CAP, BREATHER 3/8 NPT-MONARCH..... | 1pc |
| 14) | P/N 23144 - LEVEL AND TAPE ASSEMBLY..... | 1pc |
| 15) | P/N 27490 - SWITCH, DISCONNECT COVER PLATE..... | 1pc |
| 16) | P/N 16102 - DECAL, CAUTION READ MANUAL..... | 1pc |
| 17) | P/N 15582 - DECAL, LOGO 5.00" X 2.75"..... | 1pc |
| 18) | P/N 26505 - DECAL, LOAD CAPACITY 206 | 2pcs |





ITEM	P/N	DESCRIPTION	QTY
46	29415	NUT, HEX NYLOC 10-24 SS	2
47	29416	SCREW, SOC HD 0.25-20 X 2.00SS	2
48	28690	WASHER, LOCK 0.25 316 SS	3
49	29431	EWB, DTCH ELEC 206	1
50	22209	BOARD, RELAY POT 3RD G X	1
51	30809	SCREW, HHC 0.25-20 X 0.50 GR5	2
52	29299	WASHER, LOCK 0.25 STAR SS	1
53	25887	SWITCH, PRES ASSY 2050PSI DTCH	1
54	70012	BRACKET, CORD REEL	1
55	33410	SCREW, MH RD 10-24 X 3.00	1
56	33409	NUT, HEX NYLOC 10-24 GR2	1
57	31110	WASHER, FLAT 0.25 GR5 PLATED	2
58	30457	SCREW, HHC 0.25-20 X 0.75 GR5	2
59	30833	NUT, HEX NYLOC 0.25-20 GR2	2
60	25822	REEL, CORD 20 FT ASSY DTCH	1
61	27461	ROPE, WIRE 0.25 X 62' W/HOOK	1
62	30213	PICKLE (WEIGHT) PAINTED WHITE	1
63	70022	WEDGE, WIRE ROPE ANCHOR	1
64	19847	CONNECTOR, DTCH 2P PLUG	1
65	19845	CONNECTOR, DTCH 2P RECPT	1
66	19846	WEDGE, DEUTSCH 2P PLUG	1
67	19848	WEDGE, DEUTSCH 2P RECPT	1
68	32589	SCREW, HWHMS 0.25-20 X 0.75	4
69	28126	SCREW, SOC HD 0.25-20 X 0.25SS	3
70	PFORM116	TEST SHEET 206R W	1
71	PFORM138	MATCHING TRANS & RECEIVER	1

NOTE:

- ①
- ②
- ③
- ④
- ⑤
- ⑥
- ⑦
- ⑧
- ⑨

- RUN CORD REEL WIRE THRU CLAMPS.
- ADD VIBRA-TITE VC-3 TO THREADS.
- HAND TIGHT.
- APPLY TEFLON TAPE ON THREADS.
- TORQUE TO 5 FT-LBS.
- HAND TIGHT AND MAKE SURE SHEAVE SPINS FREELY.
- TERMINATE WIRING HARNESS GROUND HERE.
- ALL ITEMS IN BOX ARE PARTS OF ITEM # 35
- WIRE SEQUENCE: WHITE ↔ PIN1
BLACK ↔ PIN2

ITEM	P/N	DESCRIPTION	QTY
1	29398	BOOM-BODY ASSY 206W BAIL ATB	1
2	24816	VALVE, 4W/3P/12V/TC DTCH	2
3	30956	SCREW, SOC HD 10-24 X 2.00	8
4	19503	HOSE, HYD #4 24.50"	1
5	19502	HOSE, HYD #4 26.50" 45°-ST	1
6	25130	SCREW, SHOULDER 0.375 X 0.625	1
7	24960	CLAMP, HOSE SUPPORT 0.25 ID	4
8	32660	SCREW, HHC 0.50-13 X 2.50 GR8	1
9	26849	BALL JOINT ROD END	2
10	26947	ALL THREAD STUD .31-24 X 2.0"	1
11	30998	NUT, HEX 0.31-24 GR2 PLATED	2
12	33424	BUSHING, 0.37 X 0.50 X 0.50L N	5
13	26334	SPACER, LEVER 1.865 MACH	1
14	26860	LEVER, ATB BAIL 8.375" LT MACH	1
15	26859	LEVER, ATB BAIL 8.375" RT MACH	1
16	26907	SCREW, SHOULDER 0.31 X 0.625	2
17	26848	SCREW, SHOULDER 0.375 X 3.00	1
18	33352	WASHER, FLAT 0.25 SS	3
19	25151	SPRING, COMPRESSION	1
20	26862	LEVER, ANTI-TWO BLOCK MACH	1
21	26866	LEVER, BAIL SUPPORT - MACH	2
22	26852	COVER, SMALL BAIL ATB	1
23	34256	NUT, HEX NYLOC 0.31-18 SS 304	1
24	32368	WASHER, FLAT 0.37 SAE SS GR304	3
25	17164	SCREW, SOC HD 10-24 X 0.62 SS	8
26	19628	SHEAVE ASSY 5.90PD X 0.25 ROPE	1
27	30835	NUT, HEX NYLOC 0.50-13 GRADE 8	1
28	30889	WASHER, LOCK 0.25 GR5 PLATED	3
29	26582	SCREW, SOC HD 0.25-20 X 0.37SS	2
30	26851	SCREW, SOC HD 0.25-20 X 2.75SS	1
31	26909	SCREW, SOC HD 10-24 X 0.37 SS	6
32	27132	SWITCH, LIMIT ATB ASSY 2W DTCH	1
33	32639	WASHER, LOCK #10 GR2 PLATED	4
34	26910	WASHER, FLAT #10 SS	4
35	31036	STOP, BOOM INNER ASSY STD.	1
36	33144	SCREW, MH HX 10-24 X 0.50	1
37	22394	PENDULUM, LOAD RADIUS DIA. HD	2
38	31017	SCREW, SHOULDER 0.31-18 X 0.75	2
39	26506	PLATE, SERIAL 206W	1
40	19449	DECAL KIT 206 (SHEET 6)	1
41	19405	COVER, BACK 206	1
42	29423	SPACER, RECEIVER	2
43	29422	PLATE, RECEIVER MEGA MACH	1
44	29414	SCREW, SOC HD 10-24 X 0.50 SS	2
45	29451	CONTROL, FM REC KM ELE I/O 14P	1

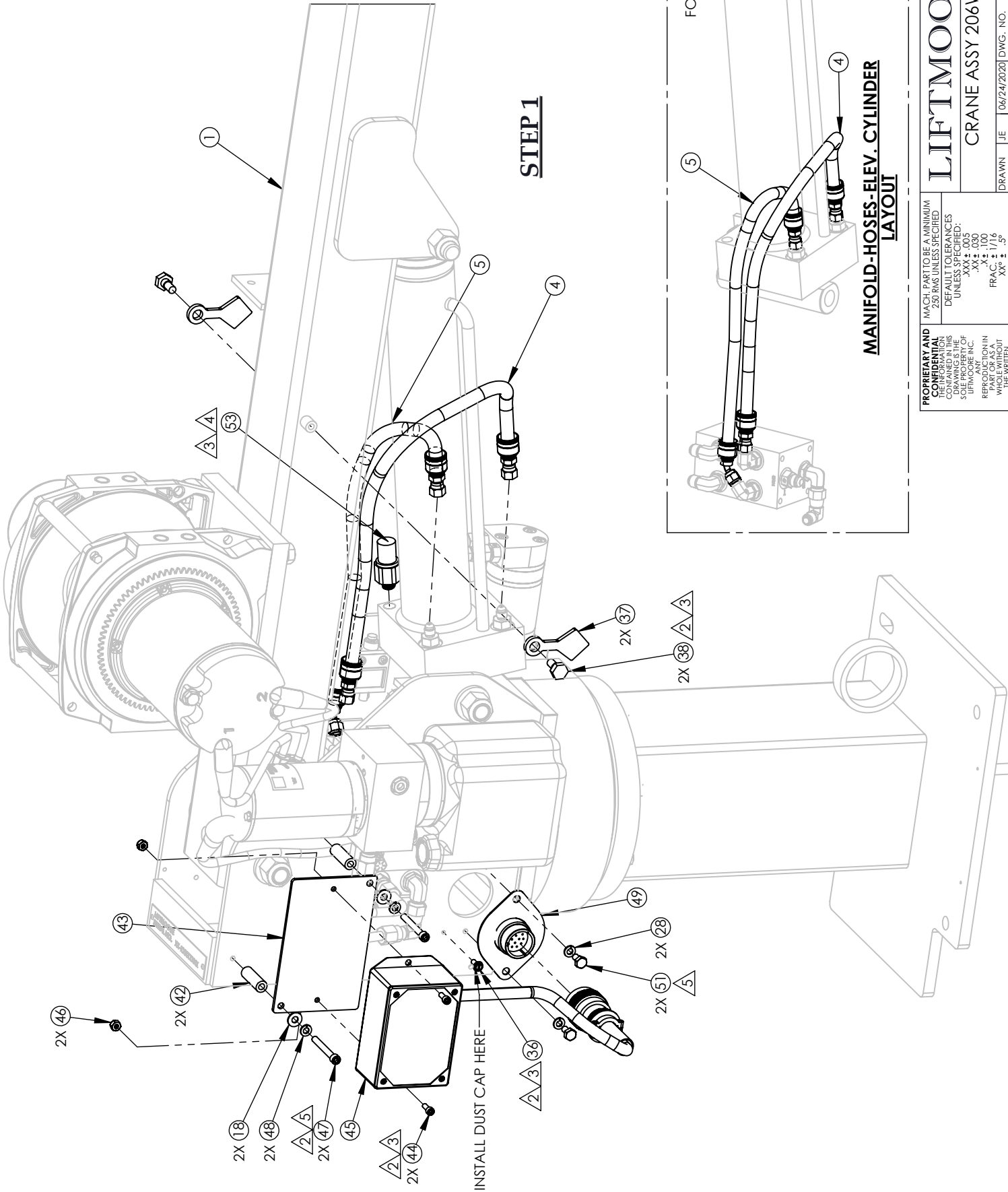
PROPRIETARY AND CONFIDENTIAL INFORMATION CONTAINED IN THIS DRAWING IS THE SOLE PROPERTY OF LIFTMOORE INC. REPRODUCTION IN WHOLE OR IN PART WITHOUT THE WRITTEN PERMISSION OF LIFTMOORE INC. IS PROHIBITED.

MACH. PART TO BE A MINIMUM 250 RMS UNLESS SPECIFIED
 DEFAULT TOLERANCES UNLESS SPECIFIED:
 .XX ± .005
 .X ± .030
 .X ± .100
 XX ± .5
 FRAC: ± 1/16
 CHECKED: NA 06/24/2020
 ENG APPR: DP 06/24/2020

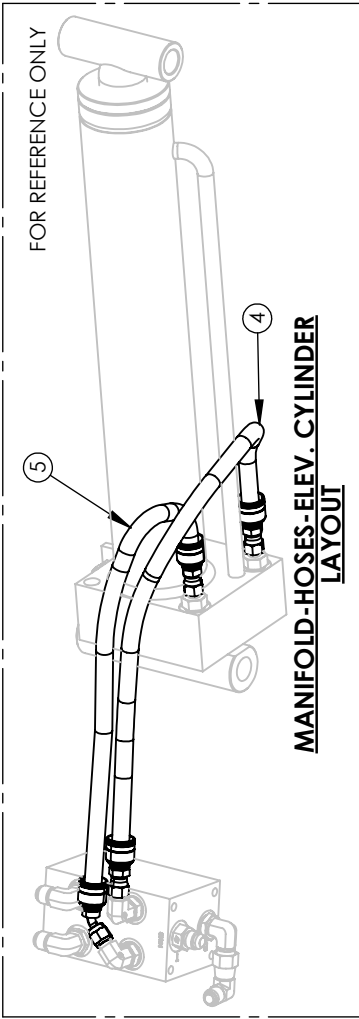
LIFTMOORE INC.

CRANE ASSY 206WREL BAIL ATB

REV	A
DRAWN	JE 06/24/2020 DWG. NO.
MTRL	SHEET 1 - 7
WEIGHT	396.12 LBS
29399	



STEP 1



MANIFOLD-HOSES-ELEV. CYLINDER LAYOUT

PROPRIETARY AND CONFIDENTIAL
 INFORMATION CONTAINED IN THIS DRAWING IS THE SOLE PROPERTY OF LIFTMOORE INC.
 REPRODUCTION IN WHOLE OR IN PART WITHOUT THE WRITTEN PERMISSION OF LIFTMOORE INC. IS PROHIBITED.

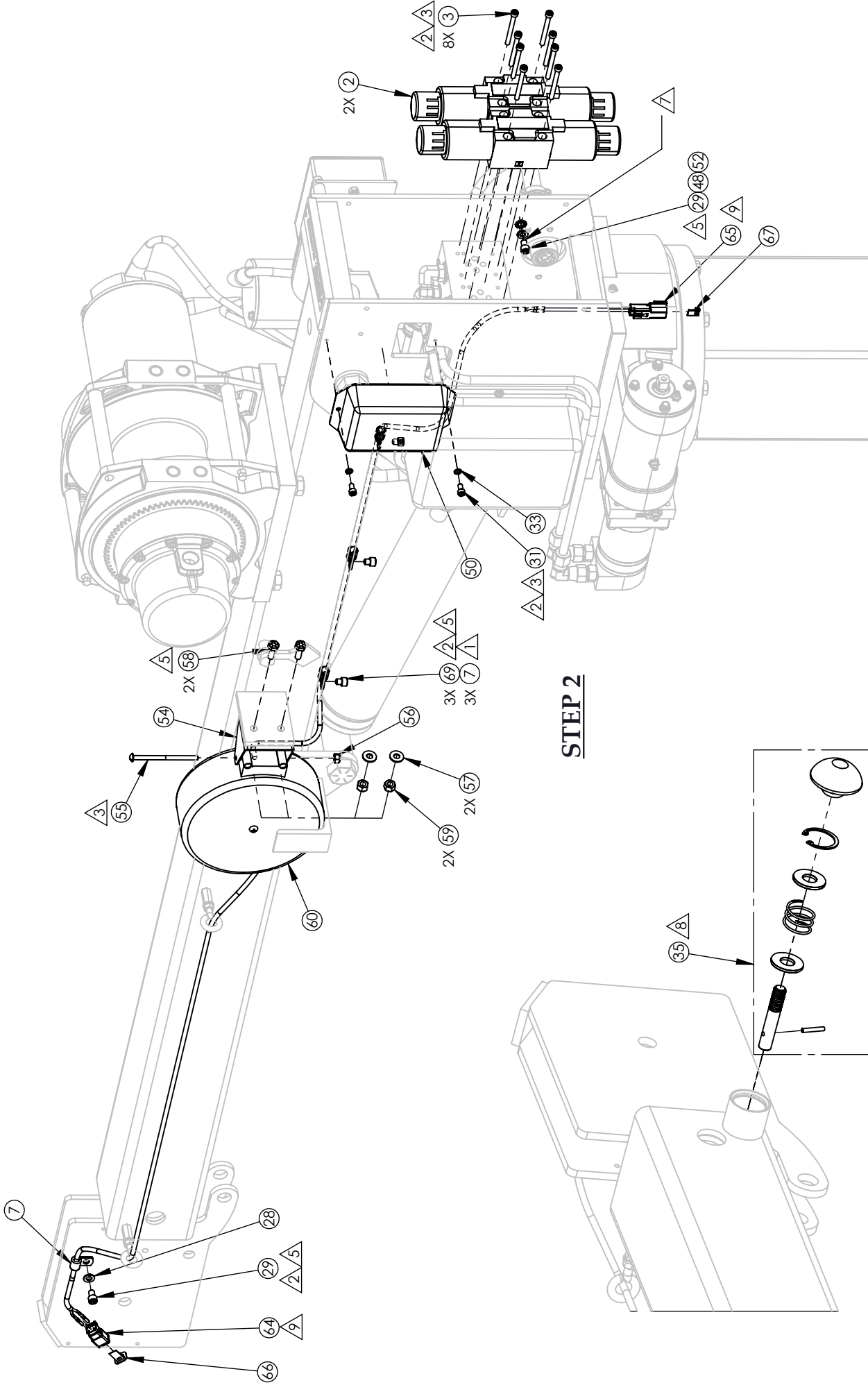
MACH. PART TO BE A MINIMUM 250 RMS UNLESS SPECIFIED
 DEFAULT TOLERANCES UNLESS SPECIFIED:
 .XX ± .005
 .XX ± .030
 .X ± .100
 XX ± .5
 XX ± .5

FRAC: 1/16
 CHECKED: NA
 DATE: 06/24/2020
 DWG. NO.: 29399
 ENG APPR: DF
 DATE: 06/24/2020

DRAWN: JE
 SHEET 2 - 7
 WEIGHT: 396.12 LBS

LIFTMOORE INC.
 CRANE ASSY 206WREL BAIL ATB

BY: JE	DATE: 06/24/2020	REV: A
DISC:		



STEP 2

STEP 3

PROPRIETARY AND
CONFIDENTIAL
INFORMATION
CONTAINED IN THIS
DRAWING IS THE
SOLE PROPERTY OF
LIFTMOORE INC.
REPRODUCTION IN
WHOLE OR IN PART
WITHOUT THE WRITTEN
PERMISSION OF
LIFTMOORE INC. IS
PROHIBITED.

MACH. PART TO BE A MINIMUM
250 RMS UNLESS SPECIFIED
DEFAULT TOLERANCES
UNLESS SPECIFIED:
XX ± .05
X ± .030
± .100
FRAC: ± 1/16
XX ± .5
XX ± .5

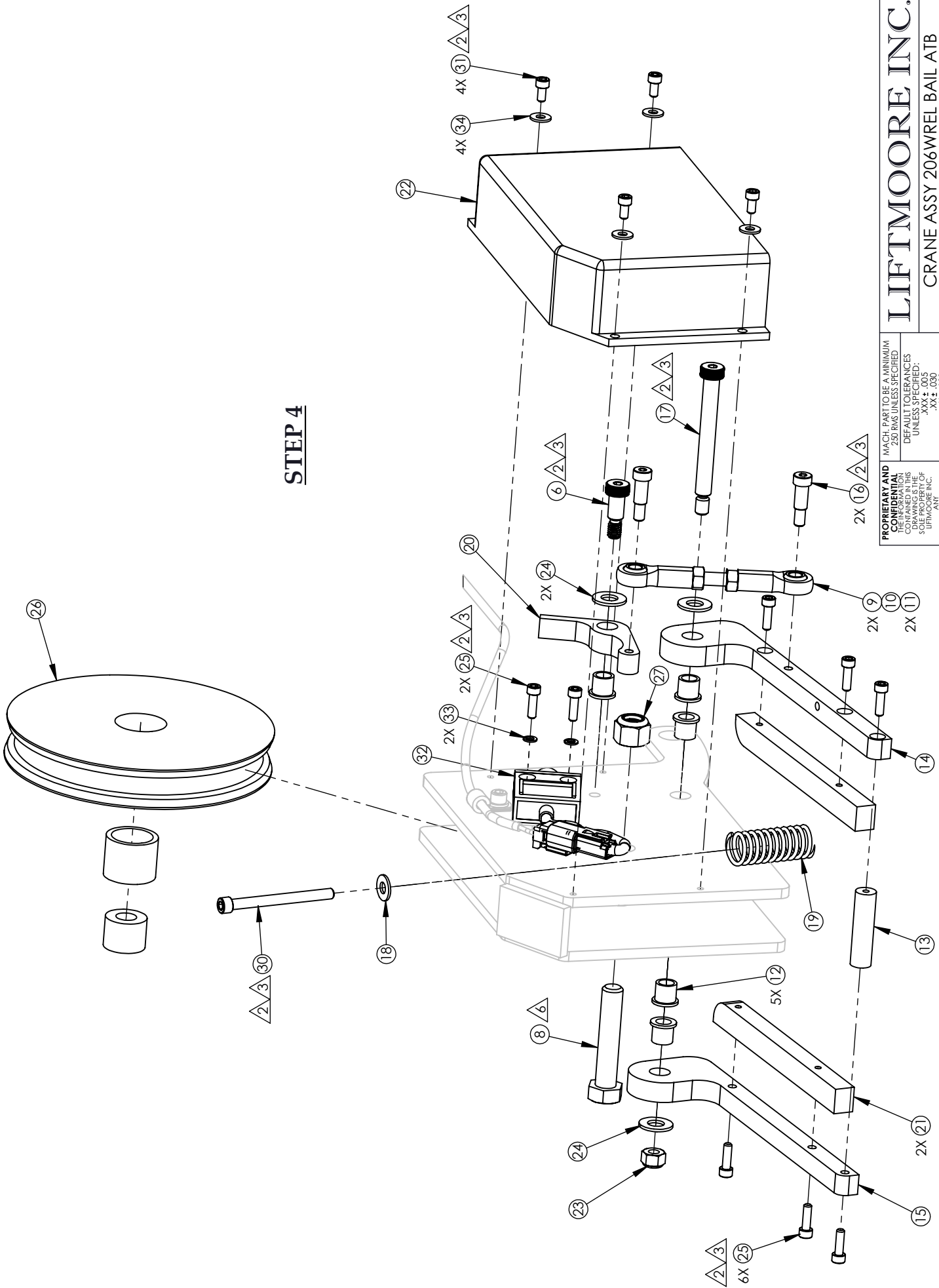
CHECKED: NA 06/24/2020
MTRL: SHEET 3 - 7
ENG APPR: DF 06/24/2020

LIFTMOORE INC.
CRANE ASSY 206WREL BAIL ATB

DRAWN: JE 06/24/2020 DWG. NO. 29399
REV: A

WEIGHT: 396.12 LBS

STEP 4

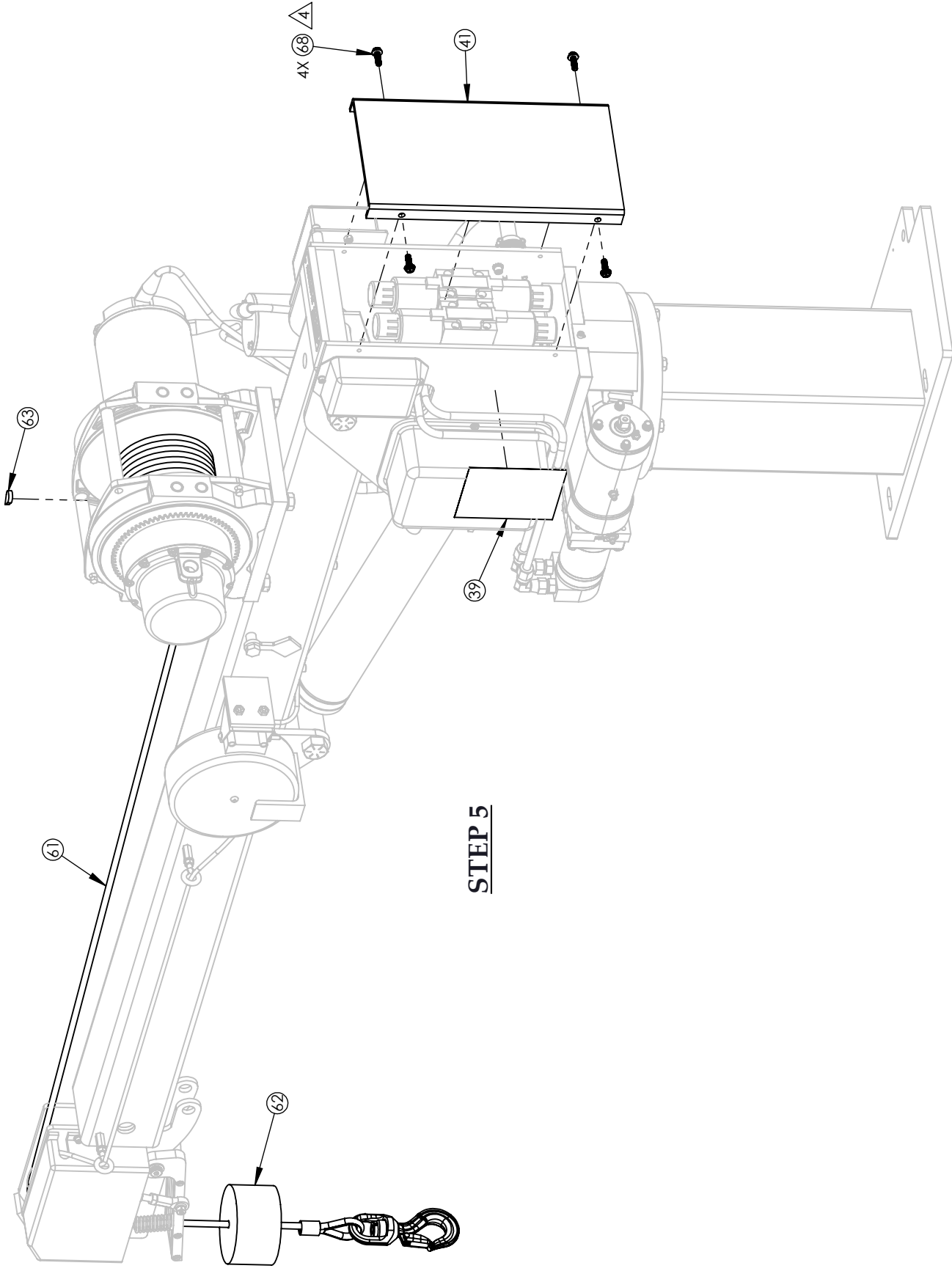


LIFTMOORE INC.
CRANE ASSY 206WREL BAIL ATB

PROPRIETARY AND CONFIDENTIAL INFORMATION CONTAINED IN THIS DRAWING IS THE SOLE PROPERTY OF LIFTMOORE INC. REPRODUCTION IN WHOLE OR IN PART WITHOUT THE WRITTEN PERMISSION OF LIFTMOORE INC. IS PROHIBITED.

MACH. PART TO BE A MINIMUM 250 RMS UNLESS SPECIFIED OTHERWISE.
 DEFAULT TOLERANCES UNLESS SPECIFIED:
 XX ± .030
 X ± .100
 FRAC: ± 1/16
 XX ± .5"

DRAWN	JE	06/24/2020	DWG. NO.	29399
CHECKED	NA	06/24/2020	SHEET	4 - 7
ENG APPR	DF	06/24/2020	WEIGHT	396.12 LBS



STEP 5

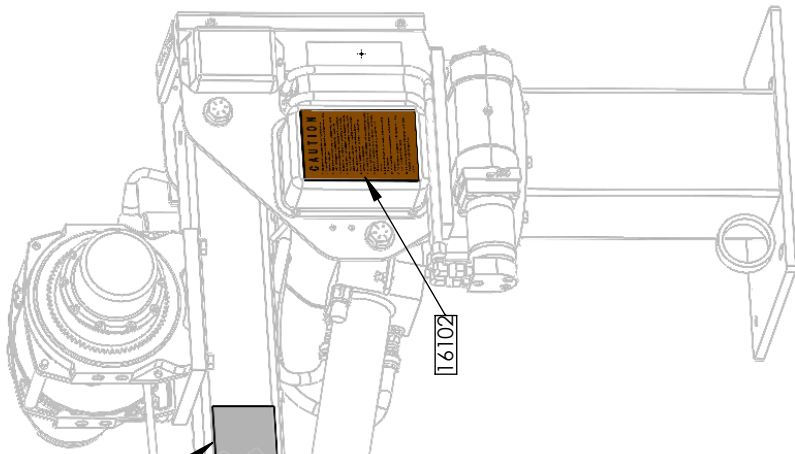
PROPRIETARY AND CONFIDENTIAL		MACH. PART TO BE A MINIMUM 250 RMS UNLESS SPECIFIED	
ALL INFORMATION CONTAINED IN THIS DRAWING IS THE SOLE PROPERTY OF LIFTMOORE INC.		DEFAULT TOLERANCES UNLESS SPECIFIED: XX ± .030 X ± .100 XX ± .5 X ± .1/16 XX ± .5	
CHECKED	NA	DATE	06/24/2020
ENG APPR	DF	DATE	06/24/2020
REPRODUCTION IN WHOLE OR IN PART WITHOUT THE WRITTEN PERMISSION OF LIFTMOORE INC. IS PROHIBITED.		FRAC. ± 1/16	
BY		JE	06/24/2020
REV		A	06/24/2020
DWG. NO.		29399	
SHEET		5 - 7	
WEIGHT		396.12 LBS	

LIFTMOORE INC.

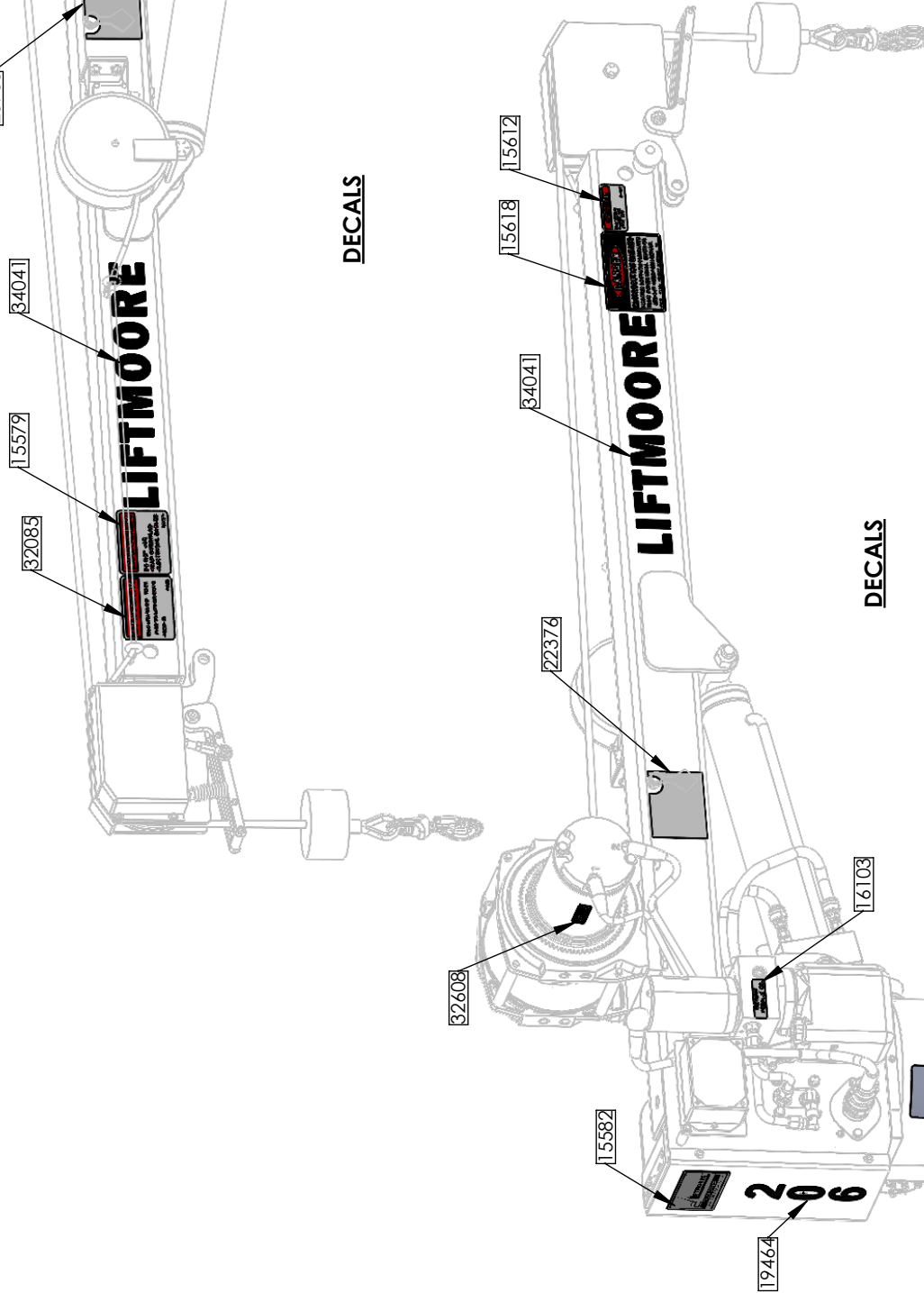
CRANE ASSY 206WREL BAIL ATB

DWG. NO. 29399
SHEET 5 - 7
WEIGHT: 396.12 LBS
REV A
DATE: 06/24/2020

DECALS ARE LOCATED IN ITEM# 40 P/N 19449 DECAL KIT 206



DECALS



DECALS

PROPRIETARY AND CONFIDENTIAL
 INFORMATION CONTAINED IN THIS DRAWING IS THE SOLE PROPERTY OF LIFTMOORE INC.
 REPRODUCTION IN WHOLE OR IN PART WITHOUT THE WRITTEN PERMISSION OF LIFTMOORE INC. IS PROHIBITED.

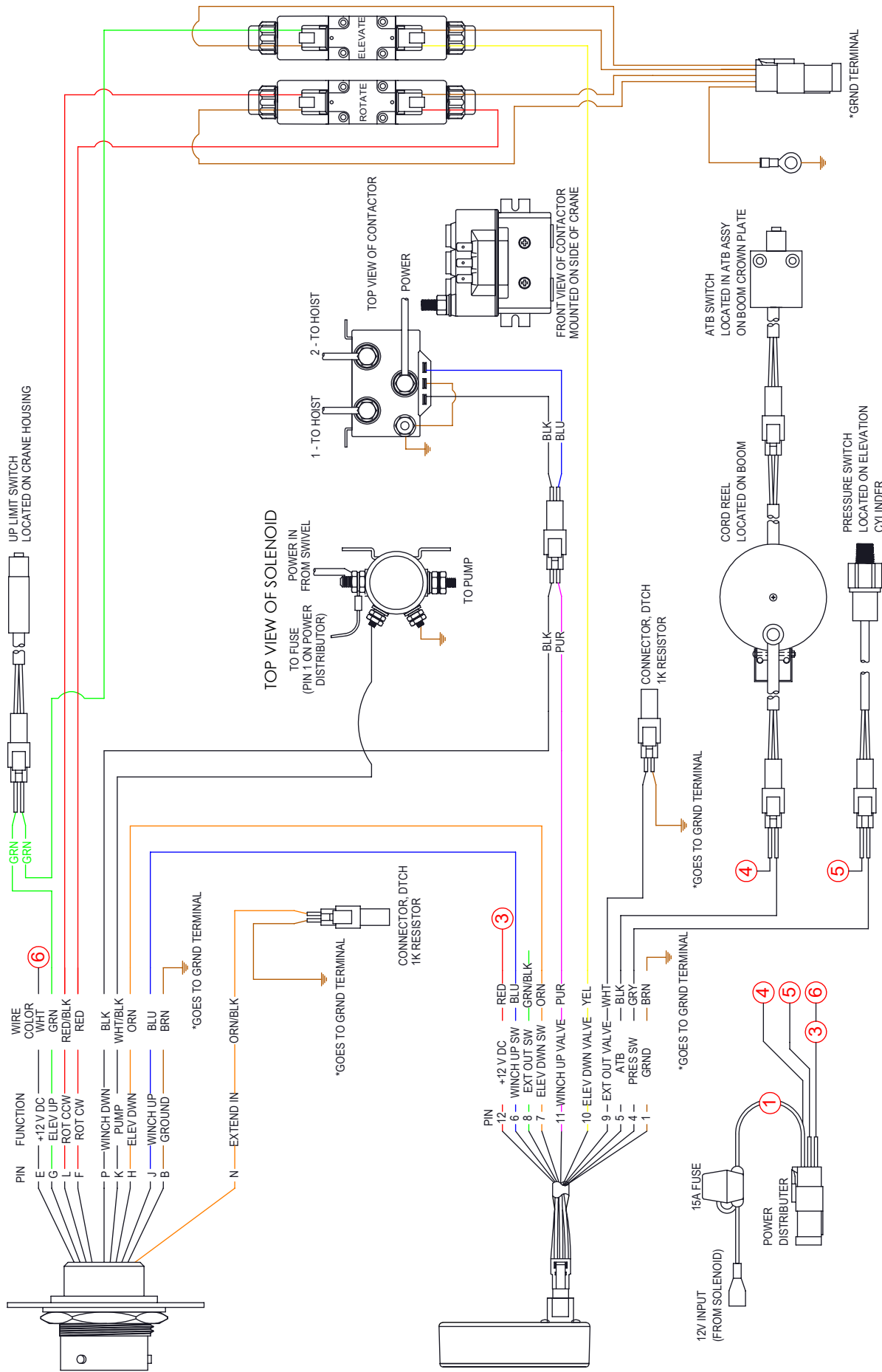
MACH. PART TO BE A MINIMUM 250 RMS UNLESS SPECIFIED
 DEFAULT TOLERANCES UNLESS SPECIFIED:
 .XX ± .030
 .X ± .100
 FRAC. ± 1/16
 XX ± .5
 CHECKED NA 06/24/2020
 MTRL: SHEET 6-7
 ENG APPR: DF 06/24/2020

LIFTMOORE INC.
CRANE ASSY 206WREL BAIL ATB

DRAWN: JE 06/24/2020 DWG. NO. 29399
 MTRL: SHEET 6-7
 WEIGHT: 396.12 LBS

REV: A

THIS SCHEMATIC IS USED FOR EWH 29431



PROPRIETARY AND CONFIDENTIAL
 INFORMATION CONTAINED IN THIS DOCUMENT IS THE SOLE PROPERTY OF LIFTMOORE INC.
 REPRODUCTION IN WHOLE OR IN PART OR AS A GUIDE FOR THE CONSTRUCTION OF ANY EQUIPMENT WITHOUT THE WRITTEN PERMISSION OF LIFTMOORE INC. IS PROHIBITED.

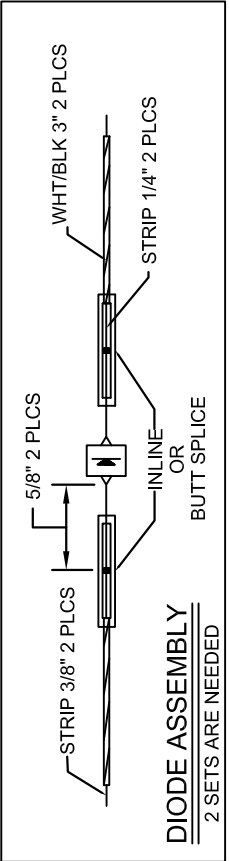
MACH. PART TO BE A MINIMUM 250 RMS UNLESS SPECIFIED
 DEFAULT TOLERANCES UNLESS SPECIFIED:
 XX ± .05
 XX ± .030
 XX ± .100
 XX ± .1/16
 XX ± .5"

CHECKED: JE DATE: 06/24/2020
 MTRL: SHEET 7 - 7
 ENG APPR: DF DATE: 06/24/2020
 WEIGHT: 396.12 LBS

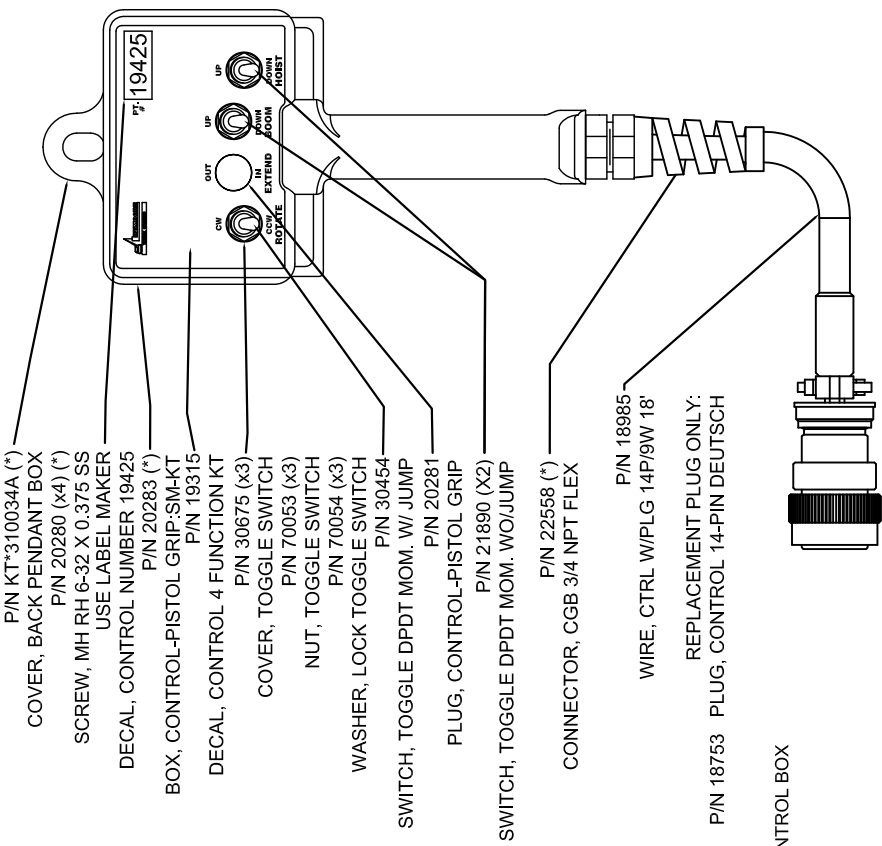
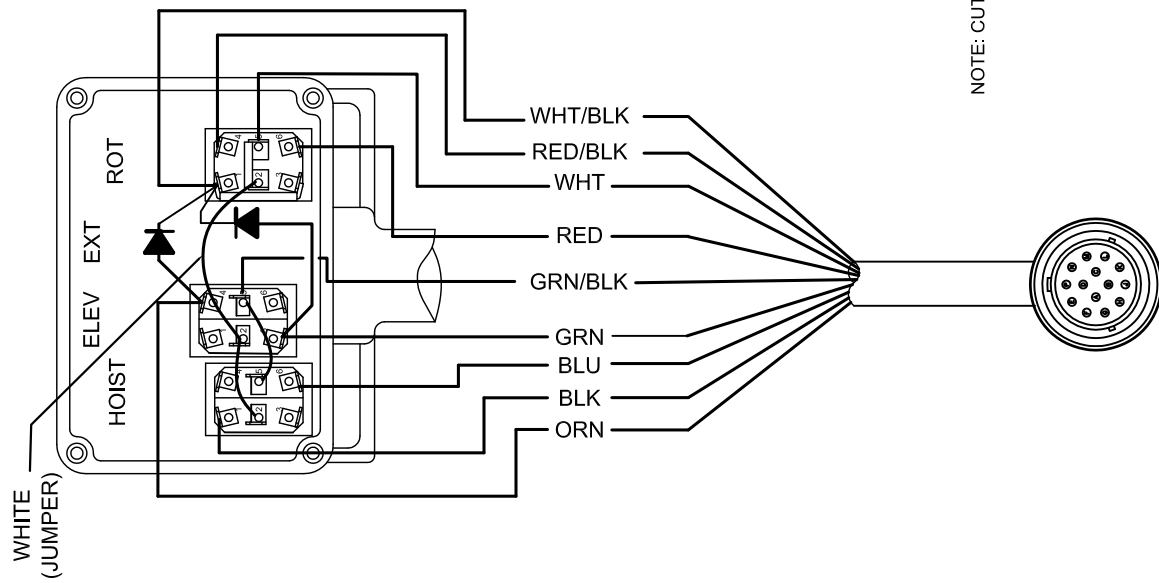
LIFTMOORE INC.

CRANE ASSY 206WREL BAIL ATB

REV	A
29399	
DATE	06/24/2020
DWG. NO.	29399
SHEET	7 - 7
WEIGHT	396.12 LBS



DIODE ASSEMBLY
2 SETS ARE NEEDED



- P/N KT*310034A (*)
- COVER, BACK PENDANT BOX
- P/N 20280 (x4) (*)
- SCREW, MH RH 6-32 X 0.375 SS
- USE LABEL MAKER
- DECAL, CONTROL NUMBER 19425
- P/N 20283 (*)
- BOX, CONTROL-PISTOL GRIP-SM-KT
- P/N 19315
- DECAL, CONTROL 4 FUNCTION KT
- P/N 30675 (x3)
- COVER, TOGGLE SWITCH
- P/N 70053 (x3)
- NUT, TOGGLE SWITCH
- P/N 70054 (x3)
- WASHER, LOCK TOGGLE SWITCH
- P/N 30454
- SWITCH, TOGGLE DPDT MOM. W/ JUMP
- P/N 20281
- PLUG, CONTROL-PISTOL GRIP
- P/N 21890 (X2)
- SWITCH, TOGGLE DPDT MOM. WO/JUMP
- P/N 22558 (*)
- CONNECTOR, CGB 3/4 NPT FLEX
- P/N 18985
- WIRE, CTRL W/PLG 14P/9W 18'
- REPLACEMENT PLUG ONLY:
- P/N 18753 PLUG, CONTROL 14-PIN DEUTSCH

PIN LOCATION	WIRE FUNCTION	WIRE COLOR
E	POWER	WHT
F	ROTATION CW	RED
G	ELEV UP	GRN
H	ELEV DWN	ORN
J	HOIST UP	BLU
K	PUMP SOLN.	WHT/BLK
L	ROTATION CCW	RED/BLK
M	PRESS SWITCH	GRN/BLK
P	HOIST DOWN	BLK

NOTE: CUT OFF ORN/BLK @ END OF CABLE INSIDE CONTROL BOX



Houston TX
(713)-688-5533
www.iftmoore.com

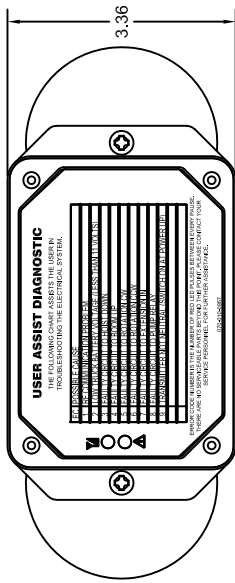
DRWN BY: JC
DATE: 01/29/09

CONTROL, PENDANT 206REL LS

DRAWING NO.

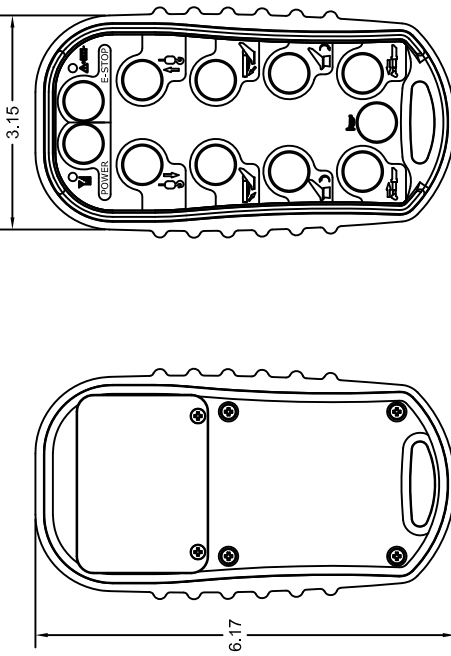
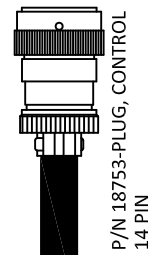
19425-G

LIFTMOORE P/N: 28470-RECEIVER



INCLUDES TWO 65 LB MOUNTING MAGNETS FOR SIMPLE INSTALLATION OF THE RECEIVER AND ELIMINATION OF DRILLING TO THE CRANE

WIRE COLOR CODE	
PIN	DESCRIPTION
A	HORN
B	GROUND
C	E-STOP
D	N/C
E	POWER
F	ROTATION CW
G	BOOM UP
H	BOOM DOWN
J	WINCH UP
K	PUMP
L	ROTATION CCW
M	BOOM OUT
N	BOOM IN
P	WINCH DOWN

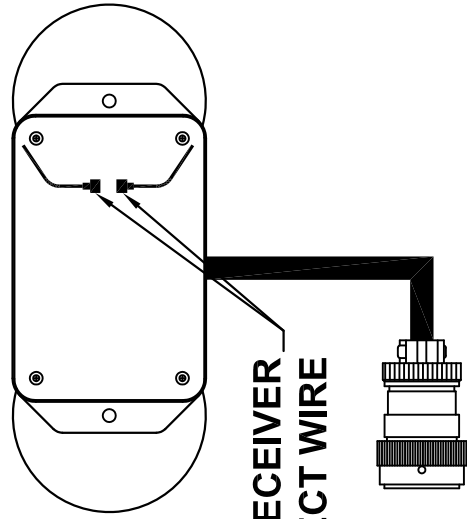


USES TWO (2) AA ALKALINE BATTERIES

LIFTMOORE P/N: 28469-TRANSMITTER

ERROR CODE NUMBER IS THE NUMBER OF RED LIGHT BLINKS BETWEEN EVERY PAUSE.

ERROR CODE	PROBABLE CAUSE
1	RF COMMUNICATION PROBLEM
2	LOW TRUCK BATTERY VOLTAGE (LESS THAN 11 VOLTS)
3	FAULTY CIRCUIT TO HOIST DOWN
4	FAULTY CIRCUIT TO BOOM UP
5	FAULTY CIRCUIT TO ROTATION CW
6	FAULTY CIRCUIT TO ROTATION CCW
7	FAULTY CIRCUIT TO EXTENSION IN
8	FAULTY CIRCUIT TO PUMP RELAY
9	TRANSMITTER NOT NEUTRAL (SWITCH ON AT POWER UP)

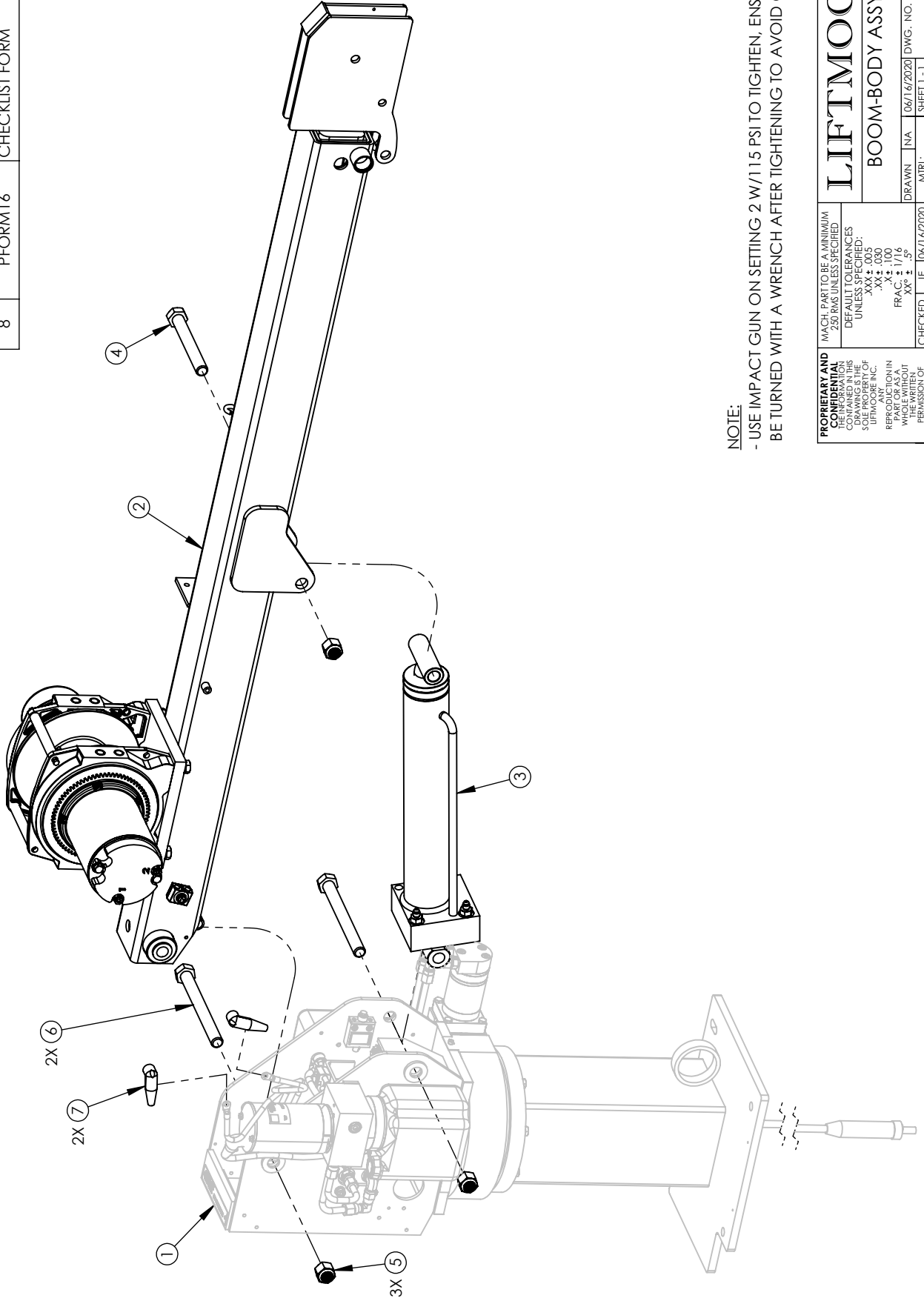


NOTE: OPEN RECEIVER AND DISCONNECT WIRE

TEACH ID CODE:
To synchronize a new transmitter and receiver together, use the following procedure:

1. Turn both transmitter and receiver off
2. To get the transmitter into TEACH ID mode, press and hold the POWER button for 10 seconds. Both LEDs start blinking.
3. Turn on the receiver.
4. Teach complete
5. **SEE NOTE**

ITEM	PART NUMBER	DESCRIPTION	QTY
1	29397	BODY ASSEMBLY 206REL/WREL	1
2	26973	BOOM ASSEMBLY 206W BAIL ATB	1
3	19448	CYLINDER ASSY 206 ELEV. L.S.	1
4	19018	SCREW, HHC 0.75-10 X 6.00 GR8	1
5	30836	NUT, HEX NYLOC 0.75-10 GRADE 5	3
6	17424	SCREW, HHC 0.75-10 X 7.75 GR8	2
7	70009	BOOT, RUBBER 1 & 1/0	2
8	PFORM16	CHECKLIST FORM	1



NOTE:

- USE IMPACT GUN ON SETTING 2 W/115 PSI TO TIGHTEN. ENSURE THE SCREWS CAN BE TURNED WITH A WRENCH AFTER TIGHTENING TO AVOID OVER TIGHTENING.

PROPRIETARY AND CONFIDENTIAL INFORMATION CONTAINED IN THIS DRAWING IS THE SOLE PROPERTY OF LIFTMOORE INC. REPRODUCTION IN WHOLE OR IN PART WITHOUT THE WRITTEN PERMISSION OF LIFTMOORE INC. IS PROHIBITED.

MACH. PART TO BE A MINIMUM 250 RMS UNLESS SPECIFIED
 DEFAULT TOLERANCES UNLESS SPECIFIED:
 .XX ± .005
 .XX ± .030
 .XX ± .100
 FRACTION ± 1/16
 DECIMAL ± .05

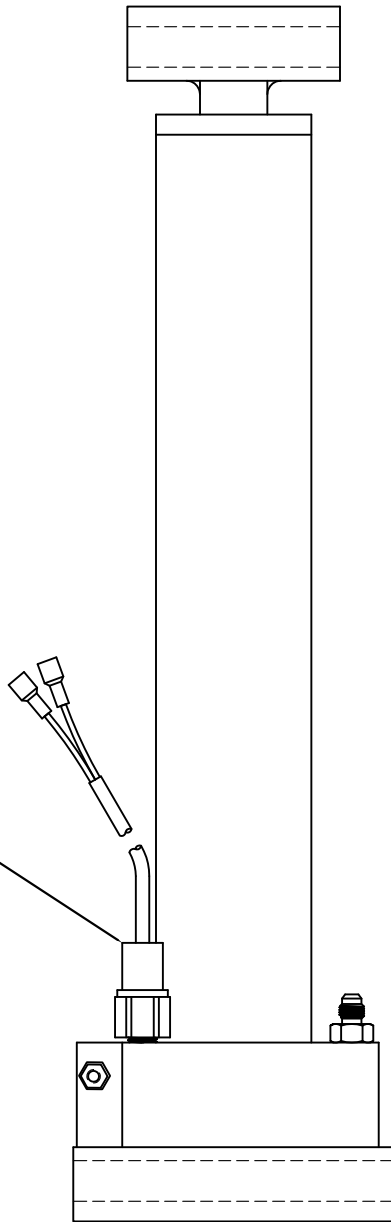
CHECKED: JE DATE: 06/16/2020
 MTRL: SHEET 1-1
 ENG APPR: DP DATE: 06/17/2020
 DWG. NO. 29398
 WEIGHT: 363.020 Lbs

LIFTMOORE INC.

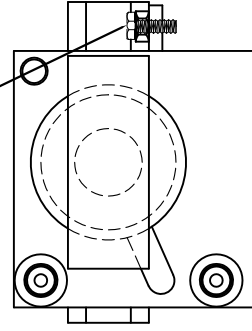
BOOM-BODY ASSY 206W BAIL ATB

BY: NA	DATE: 06/16/2020	REV: A
DRAWN: NA	DATE: 06/16/2020	DWG. NO. 29398
MTRL: SHEET 1-1	REV: A	
WEIGHT: 363.020 Lbs		

SWITCH, PRES ASSY 2050PSI DTCH
SEE CRANE ASSEMBLY DRAWING
FOR PART NUMBER
(NOT PART OF ASSEMBLY)

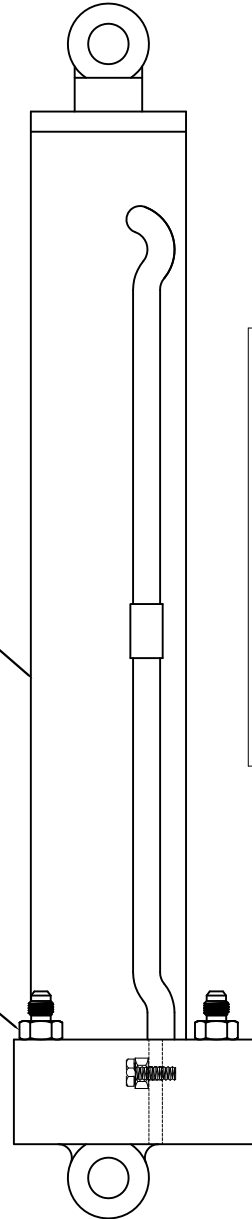


P/N 30457
SCREW, HHC 0.25-20 X 0.75 GR5
P/N 30830
NUT, HEX 0.25-20 GR2 PLATED
FOR UPLIMIT SWITCH



P/N 32400
ADAPTER, 4MJ-6MO
2 PLCS

P/N 19399
CYLINDER, 2.5 X 13.0 X 1.25 PE



REPLACEMENT PARTS FOR CYLINDER	
DESCRIPTION	PART NUMBER
SEAL KIT	TM*SK-00870
COUNTERBALANCE VALVE	TM*PP-00259

Houston TX
(713)-688-5533
www.liftmoore.com



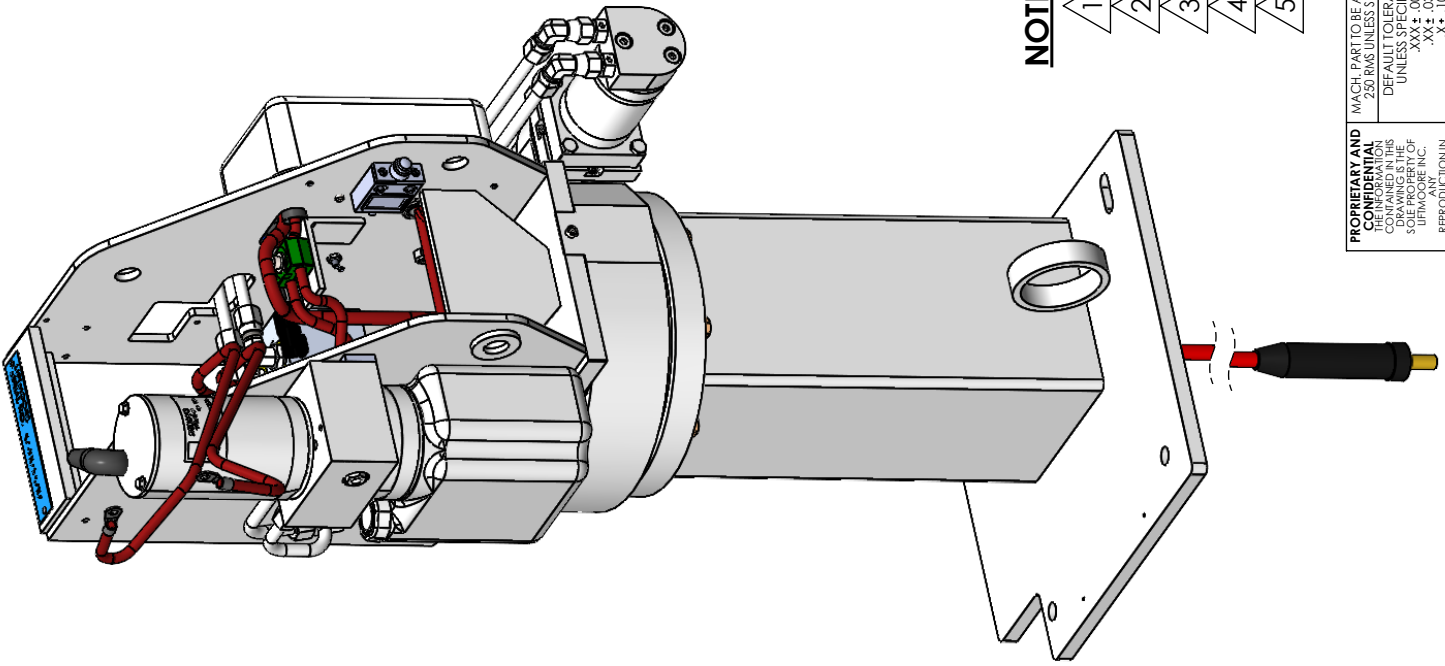
CYLINDER ASSY 206 ELEV. L.S.

DRAWING NO.

19448-D

DRWN BY: JC
DATE: 10/02/09

ITEM	PART NUMBER	DESCRIPTION	QTY
1	29396	BASE-HOUSING ASSY 206REL/WREL	1
2	WI 34038	CONTACTOR, DP SEALED	1
3	17252	SCREW, MH RD 10-24 X 0.75	2
4	33145	WASHER, FLAT #10 GR2 PLATED	2
5	32639	WASHER, LOCK #10 GR2 PLATED	2
6	31576	NUT, HEX 10-24 GR2 PLATED	2
7	33003	SOLENOID, SINGLE POLE 12V E/G	1
8	30457	SCREW, HHC 0.25-20 X 0.75 GR5	2
9	31110	WASHER, FLAT 0.25 GR5 PLATED	6
10	30833	NUT, HEX NYLOC 0.25-20 GR2	2
11	19646	WIRE, GROUND #6 X 3.50"	1
12	29299	WASHER, LOCK 0.25 STAR SS	1
13	28690	WASHER, LOCK 0.25 316 SS	1
14	29406	SCREW, SOC HD 0.25-20 X 0.50SS	1
15	33405	LOCKNUT, CONNECTOR CGB 0.50	1
16	20005	CONDUIT NIPPLE, 1/2"	1
17	33309	WIRE, BATTERY #4 X 5" W/TRML	1
18	26806	WIRE, SOLENOID EXTENSION	1
19	26514	EWI, CONTACTOR DITCH	1
20	18497	EWI, HOT WIRE-ELEC CRANES	1
21	19642	EWI, PUMP SOL. / CONTACTOR GND	1
22	21688	PUMP ASSEMBLY 206 MONARCH	1
23	21579	SPACER, PUMP 206 MONARCH	1
24	30888	WASHER, FLAT 0.31 GR5 PLATED	2
25	30890	WASHER, LOCK 0.31 GR5 PLATED	5
26	30859	SCREW, HHC 0.31-18 X 1.00 GR5	2
27	15789	CLAMP, HALVES 2 STL HYD TUBE	1
28	31172	SCREW, SOC HD 0.25-20 X 1.00	1
29	25886	SWITCH, LIMIT UP 2WNC-10 DTCH	1
30	31738	SCREW, MH RD 6-32 X 1.00	2
31	33606	WASHER, FLAT #6 GR2 PLATED	2
32	31124	WASHER, LOCK #6 GR2 PLATED	2
33	31123	NUT, HEX 6-32 GR2 PLATED	2
34	30674	BOOT, RUBBER 1 & 1/0	3
35	20188	WIRE, WINCH #6 X 32" W/TRM	2
36	17197	WIRE, PUMP MOTOR #4 GA X 27"	1
37	23169	MANIFOLD ASSY 206REL #6/#6 BO	1
38	30458	SCREW, HHC 0.31-18 X 0.75 GR5	4
39	21691	TUBE, HYD PUMP 206 SUPPLY MONA	1
40	21690	TUBE, HYD PUMP 206 RETURN MONA	1
41	31513	ADAPTER, 90° 6MJ-6FJX	2
42	19567	ORIFICE, ADAPTER 0.036 HOLE D.	2
43	19446	TUBE, HYD ROT 206 PORT A	1
44	19447	TUBE, HYD ROT 206 PORT B	1
45	18367	COVER, CONT. TDB SEALED 5000	1
46	33144	SCREW, MH HX 10-24 X 0.50	3



NOTES:

- 1 -TORQUE TO 5 FT-LBS.
- 2 -TORQUE TO 20 FT-LBS.
- 3 -TORQUE TO 30 FT-LBS.
- 4 -HAND TIGHT.
- 5 -RUN WIRE INSIDE HOUSING THRU ITEM# (16).

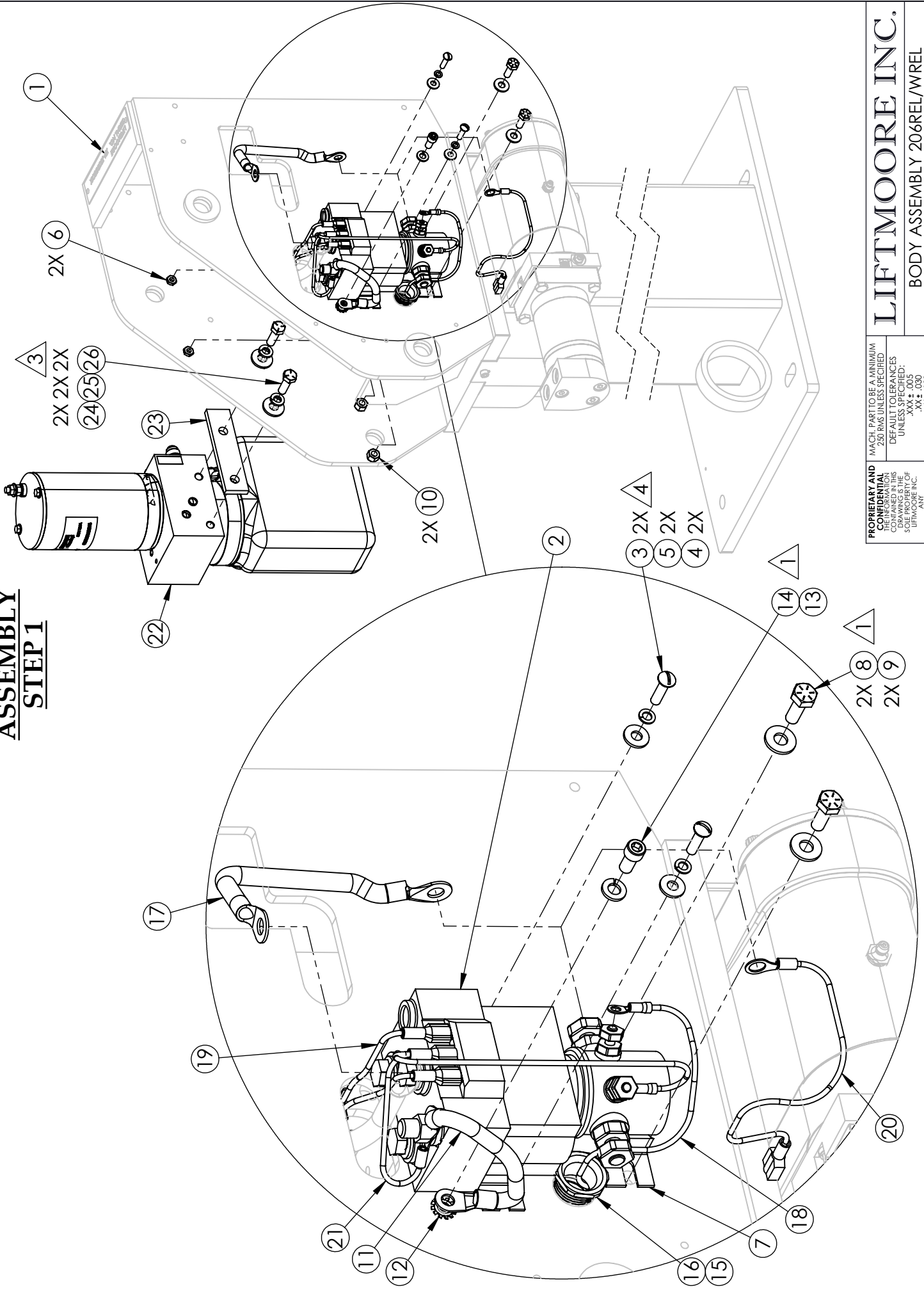
PROPRIETARY AND CONFIDENTIAL INFORMATION CONTAINED IN THIS DRAWING IS THE SOLE PROPERTY OF LIFTMOORE INC. REPRODUCTION IN WHOLE OR IN PART OR AS A MEANS OF PROMOTION OR ADVERTISING WITHOUT THE WRITTEN PERMISSION OF LIFTMOORE INC. IS PROHIBITED.

MACH. PART TO BE A MINIMUM 250 RMS UNLESS SPECIFIED	FRAC: ± 1/16
DEFAULT TOLERANCES UNLESS SPECIFIED:	XX ± .030
	X ± .100
	XX ± .5
CHECKED: NA	DATE: 06/18/2020
ENG APPR: DP	DATE: 06/18/2020

LIFTMOORE INC.
BODY ASSEMBLY 206REL/WREL

DRAWN: NA	DATE: 06/18/2020	DWG. NO.
MTRL:	SHEET 1 - 4	REV
WEIGHT: 152.405 Lbs		A

ASSEMBLY STEP 1



DETAIL A

LIFTMOORE INC.
BODY ASSEMBLY 206REL/WREL

PROPRIETARY AND CONFIDENTIAL INFORMATION CONTAINED IN THIS DRAWING IS THE SOLE PROPERTY OF LIFTMOORE INC. REPRODUCTION IN WHOLE OR IN PART WITHOUT THE WRITTEN PERMISSION OF LIFTMOORE INC. IS PROHIBITED.

MACH. PART TO BE A MINIMUM 250 RMS UNLESS SPECIFIED
 DEFAULT TOLERANCES UNLESS SPECIFIED:
 XX ± .030
 X ± .100
 XXX ± .5

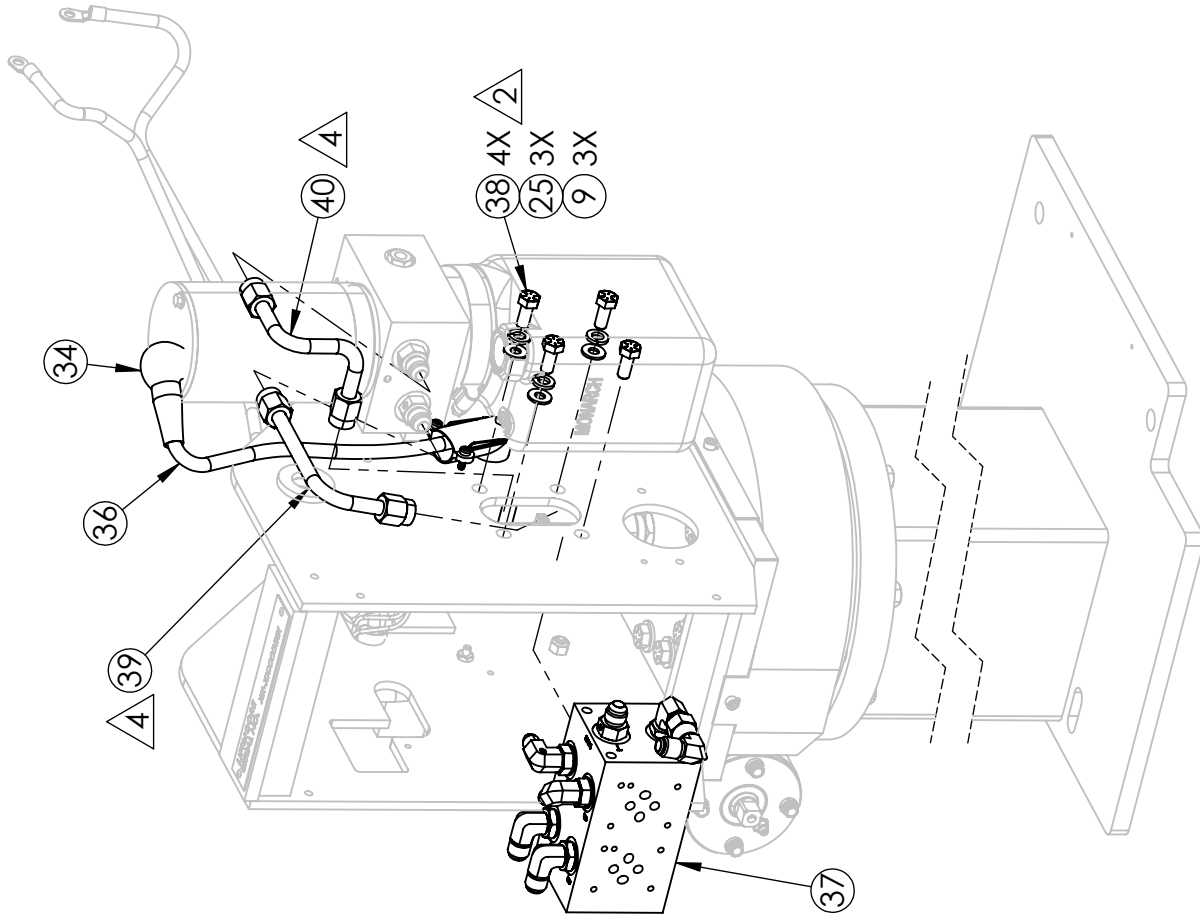
FRAC: 1/16
 XXX: .5

CHECKED: NA 06/18/2020
 MRL: SHEET 2 - 4
 ENG APPR: DP 06/18/2020

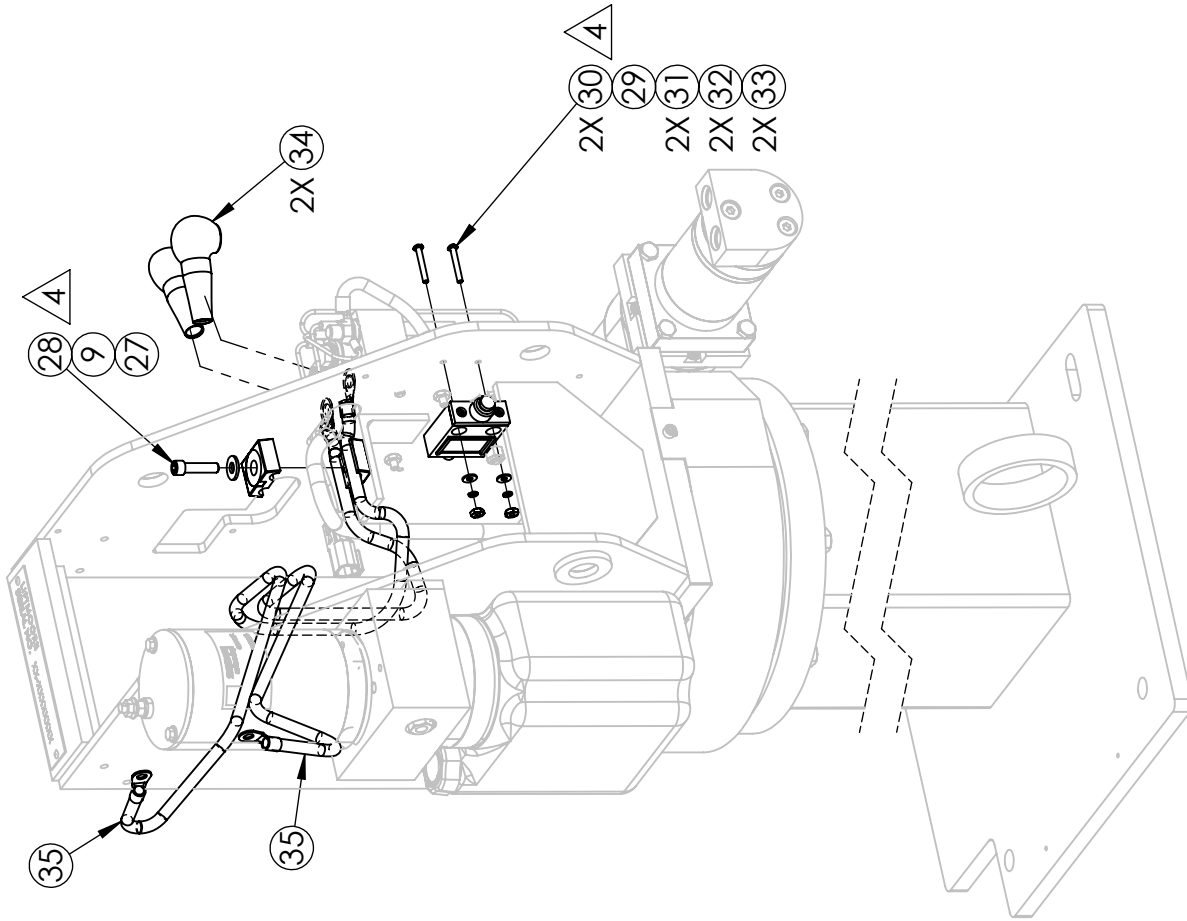
DRAWN: NA 06/18/2020
 DWG. NO. 29397
 REV A

WEIGHT: 152.405 Lbs.

**ASSEMBLY
STEP 3**



**ASSEMBLY
STEP 2**

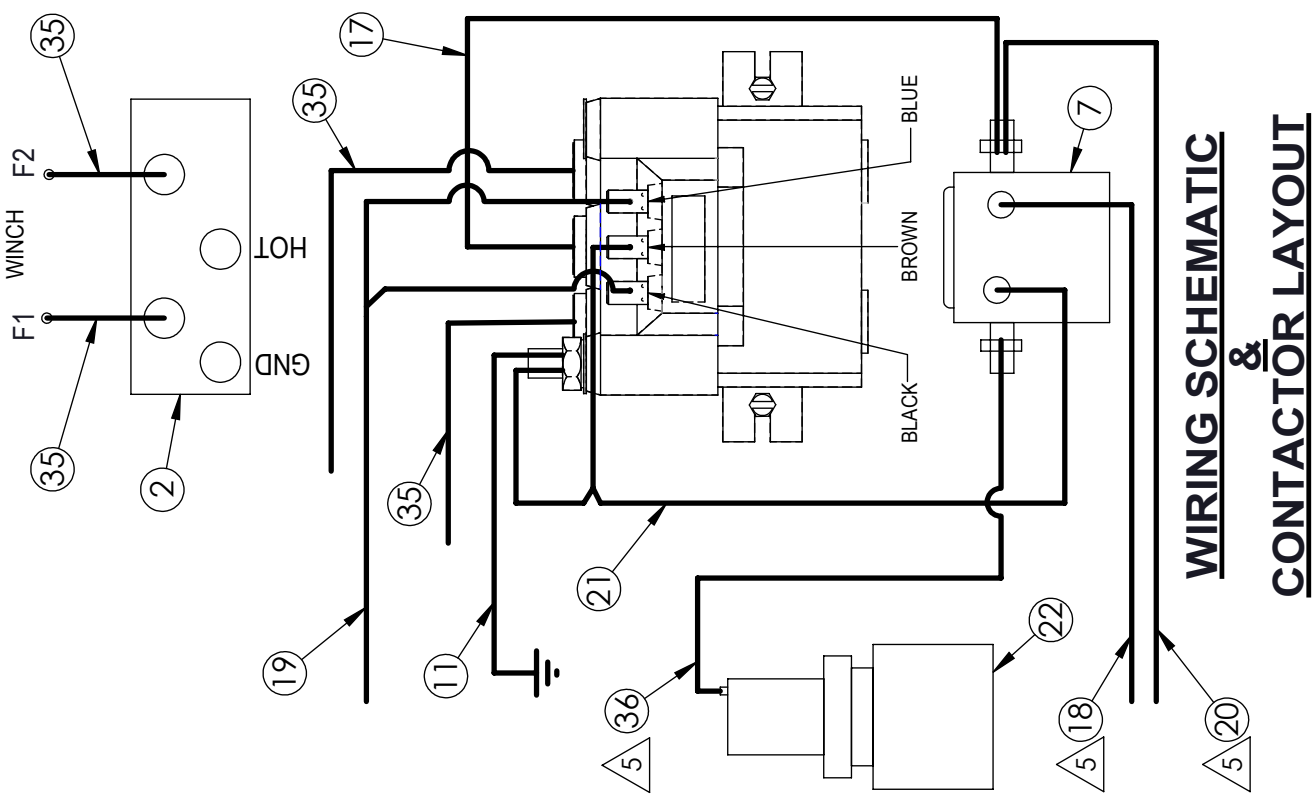
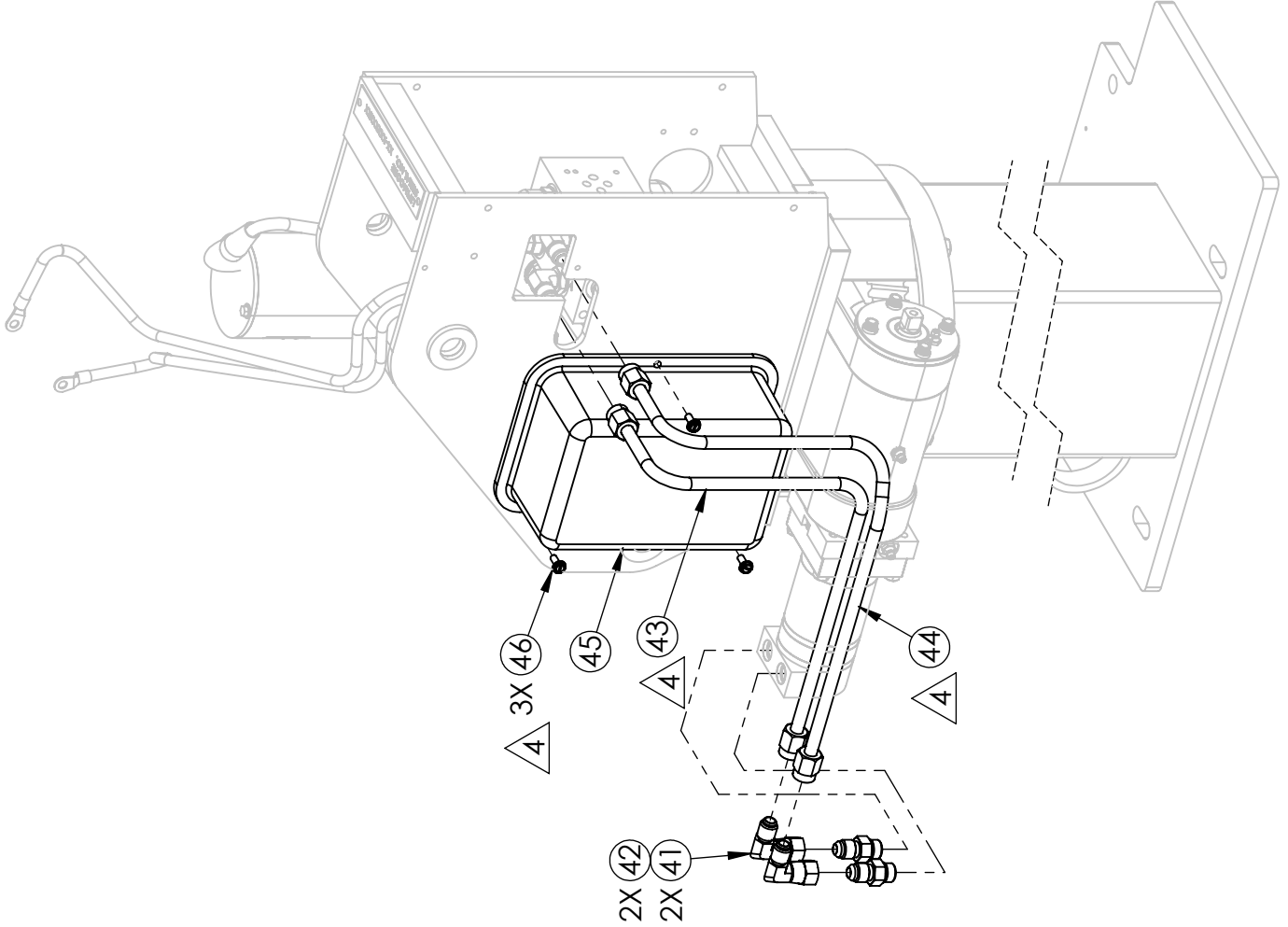


PROPRIETARY AND CONFIDENTIAL
 INFORMATION CONTAINED IN THIS DRAWING IS THE SOLE PROPERTY OF LIFTMOORE INC.
 REPRODUCTION IN WHOLE OR IN PART WITHOUT THE WRITTEN PERMISSION OF LIFTMOORE INC. IS PROHIBITED.

MACH. PART TO BE A MINIMUM 250 RMS UNLESS SPECIFIED
 DEFAULT TOLERANCES UNLESS SPECIFIED:
 XX ± .05
 XX ± .030
 XX ± .100
 XX ± .5
 FRACTION: 1/16
 CHECKED: NA DATE: 06/18/2020
 ENG APPR: DF DATE: 06/18/2020

LIFTMOORE INC.
BODY ASSEMBLY 206REL/WREL
 DRAWN: JNA DATE: 06/18/2020 DWG. NO. 29397
 MRL: SHEET 3 - 4
 REV: A

ASSEMBLY STEP 4

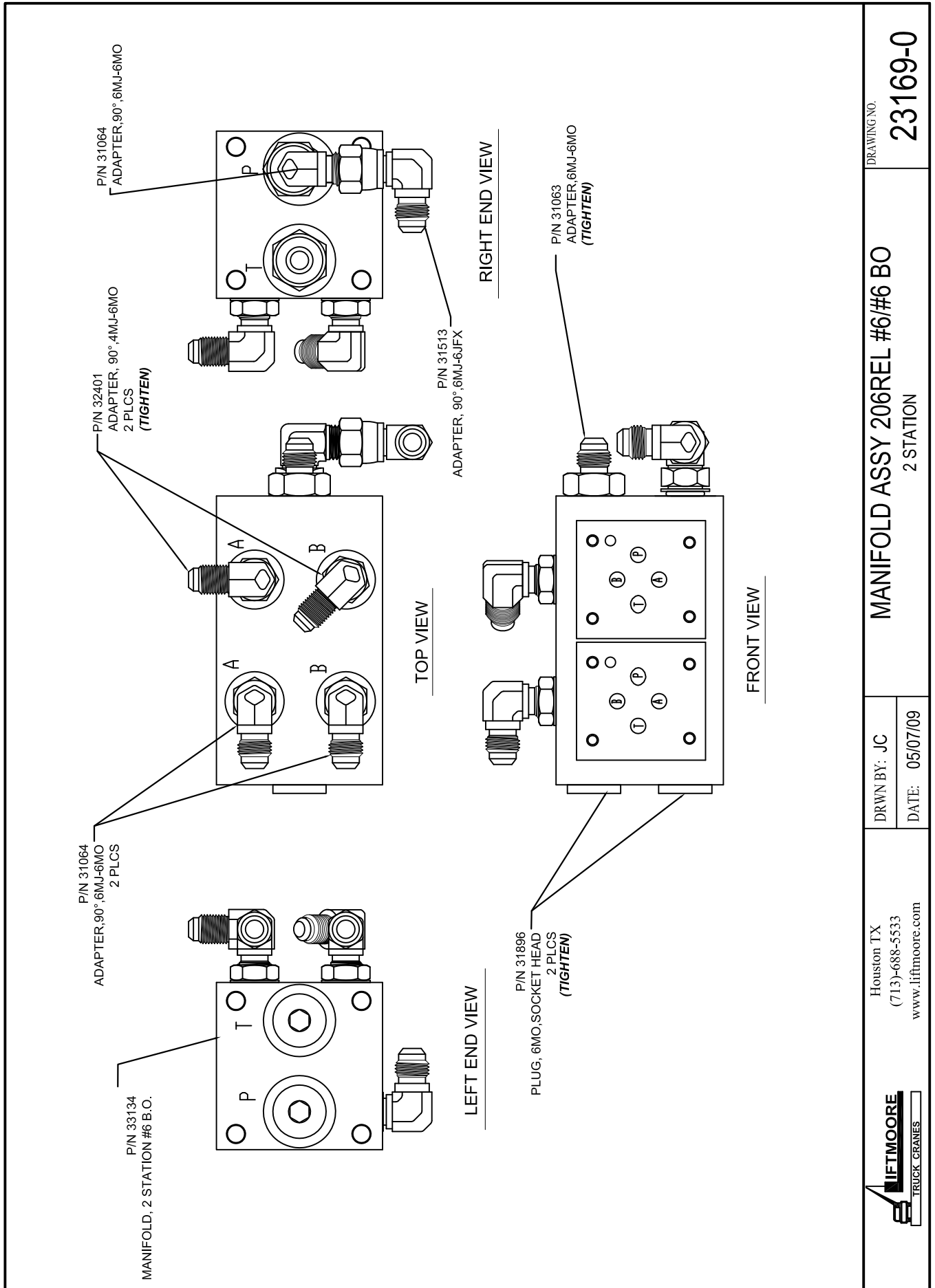


WIRING SCHEMATIC & CONTACTOR LAYOUT

PROPRIETARY AND
CONFIDENTIAL
INFORMATION
CONTAINED IN THIS
DRAWING IS THE
SOLE PROPERTY OF
LIFTMOORE INC.
REPRODUCTION IN
WHOLE OR IN PART
WITHOUT THE WRITTEN
PERMISSION OF
LIFTMOORE INC. IS
PROHIBITED.

MACH. PART TO BE A MINIMUM
250 RMS UNLESS SPECIFIED
DEFAULT TOLERANCES
UNLESS SPECIFIED:
XX ± .030
XX ± .100
FRAC. ± 1/16
XX ± .5
ENG APPR: NA
DATE: 06/18/2020
SHEET: 4 - 4

LIFTMOORE INC.
BODY ASSEMBLY 206REL/WREL
DRAWN: NA
DATE: 06/18/2020
REV: A
29397
DWG. NO.
WEIGHT: 152.405 Lbs.

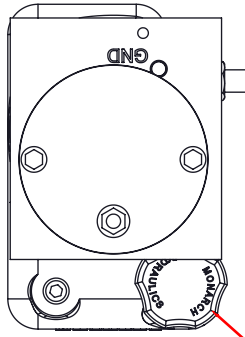
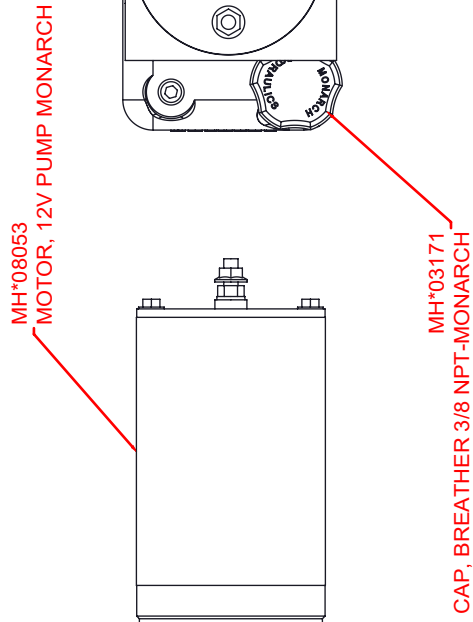
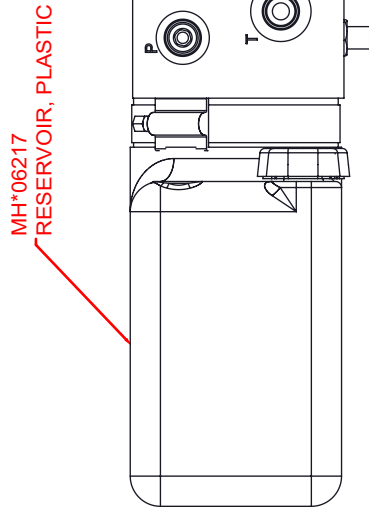
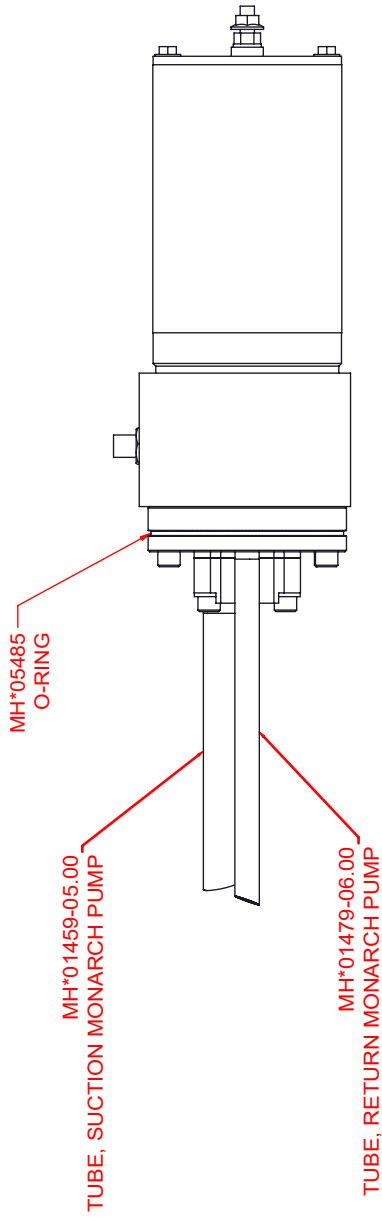


Houston TX
(713)-688-5533
www.liftmoore.com

DRWN BY: JC
DATE: 05/07/09

MANIFOLD ASSY 206REL #6/#6 BO
2 STATION

DRAWING NO.
23169-0



Houston TX
(713)-688-5533
www.liftmoore.com

DRWN BY: TV
DATE: 04/01/05

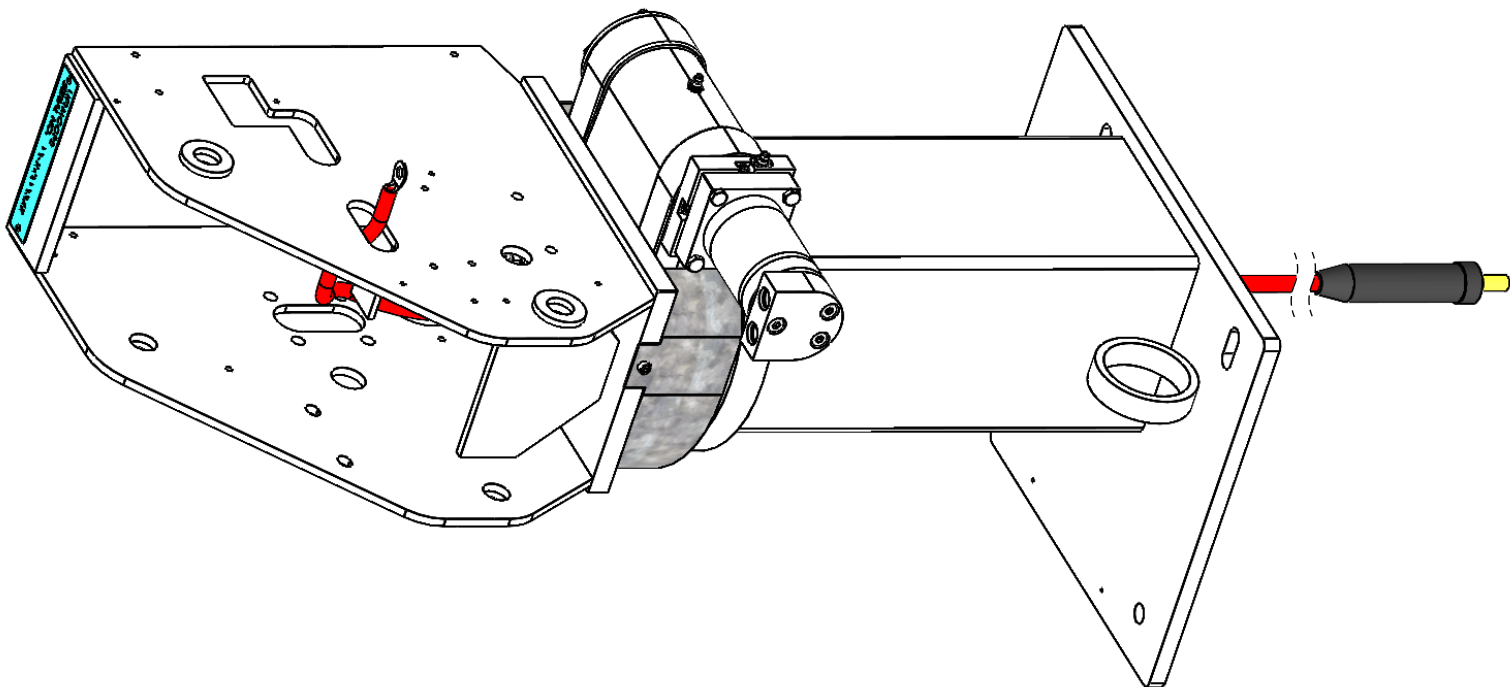
PUMP, HYDRAULIC 206 MONARCH

DRAWING NO.

21589-A



ITEM	PART NUMBER	DESCRIPTION	QTY
1	27724	HOUSING WELDMENT 206REL	1
2	18940	WASHER, FLAT 0.37 SAE GRADE 8	18
3	19437	SCREW, HHC 0.37-16 X 2.25 GR8	10
4	19644	STOP, SWIVEL UPPER BODY 206REL	1
5	19643	INSULATOR, GEAR BEAR. TO SWIVL	1
6	19512	SCREW, SET 8-32 X 0.75	1
7	19430	ROTATOR ASSY HYD 9.4"	1
8	22774	PLUNGER, 1/2"-13, 6.6/17.4 LB	1
9	23389	PLATE, SERIAL NO. MACHINING	1
10	22406	SCREW, DRIVE	2
11	19509	WIRE, BATTERY #4 X 17" W/CGB	1
12	29395	PEDESTAL WELDMENT 206 SP	1
13	31707	SCREW, HHC 0.37-16 X 1.75 GR8	8
14	19438	SWIVEL, ELEC ASSY 206REL	1
15	33614	SCREW, SOC FH 0.25-20 X 0.50	3
16	19404	COVER, GEAR 206REL	1
17	26909	SCREW, SOC HD 10-24 X 0.37 SS	3



NOTES

- 1 **BACKLASH CHECK: PLACE 0.006" SHIM OR FEELER GAUGE ON ONE SIDE OF CENTER TOOTH BEFORE APPLYING TORQUE.**
- 2 **TORQUE TO 40 FT-LBS.**
- 3 **ADD VIBRA-TITE VC-3 TO THREADS.**
- 4 **TORQUE TO 4 FT-LBS.**
- 5 **ADD TEFLON TAPE.**

PROPRIETARY AND CONFIDENTIAL
 INFORMATION CONTAINED IN THIS DRAWING IS THE SOLE PROPERTY OF LIFTMOORE INC.
 REPRODUCTION IN ANY MANNER WITHOUT THE WRITTEN PERMISSION OF LIFTMOORE INC. IS PROHIBITED.

MACH. PART TO BE A MINIMUM 250 RMS UNLESS SPECIFIED
 DEFAULT TOLERANCES UNLESS SPECIFIED:
 .XX ± .005
 .XX ± .030
 .X ± .100
 FRACTION ± 1/16
 XX ± .5

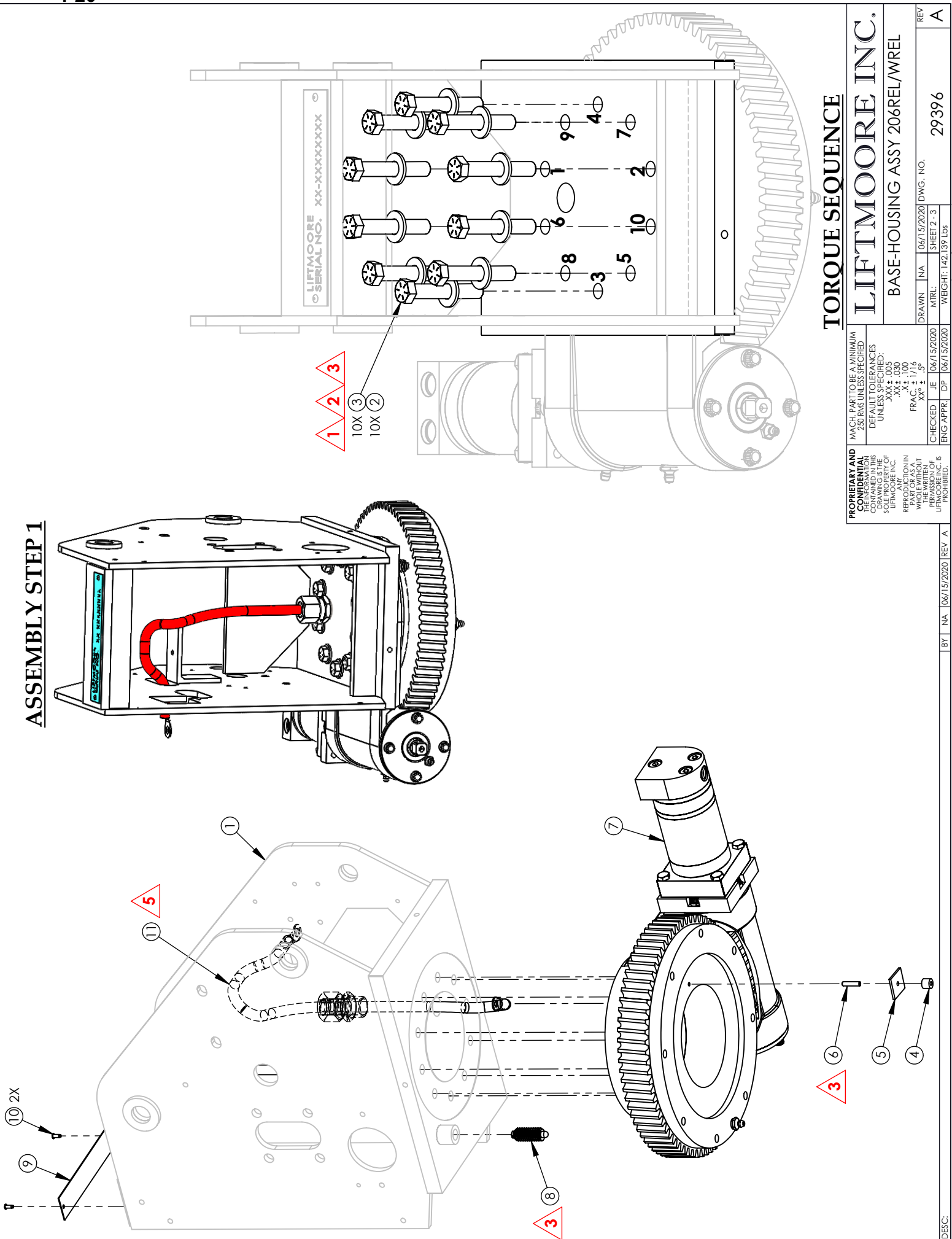
CHECKED: JE DATE: 06/15/2020
 ENG APPR: DP DATE: 06/15/2020

DRAWN: JNA DATE: 06/15/2020 DWG. NO. 29396
 MTRL: SHEET 1 - 3
 WEIGHT: 142.139 Lbs

LIFTMOORE INC.
 BASE-HOUSING ASSY 206REL/WREL

REV A

ASSEMBLY STEP 1



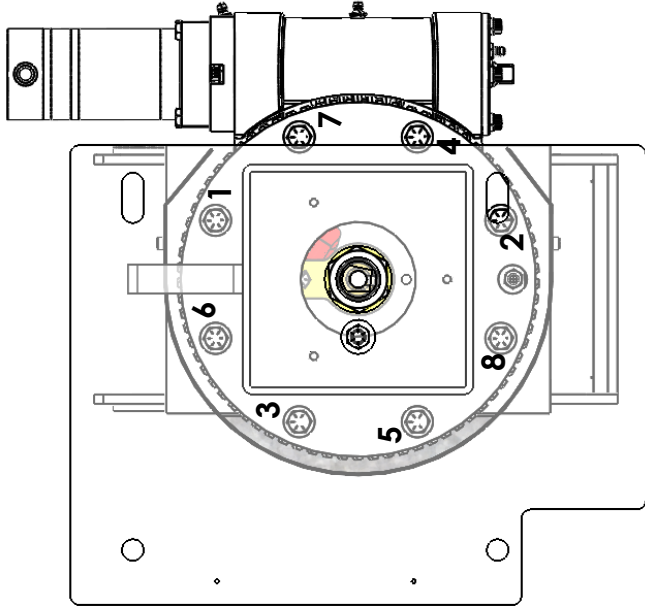
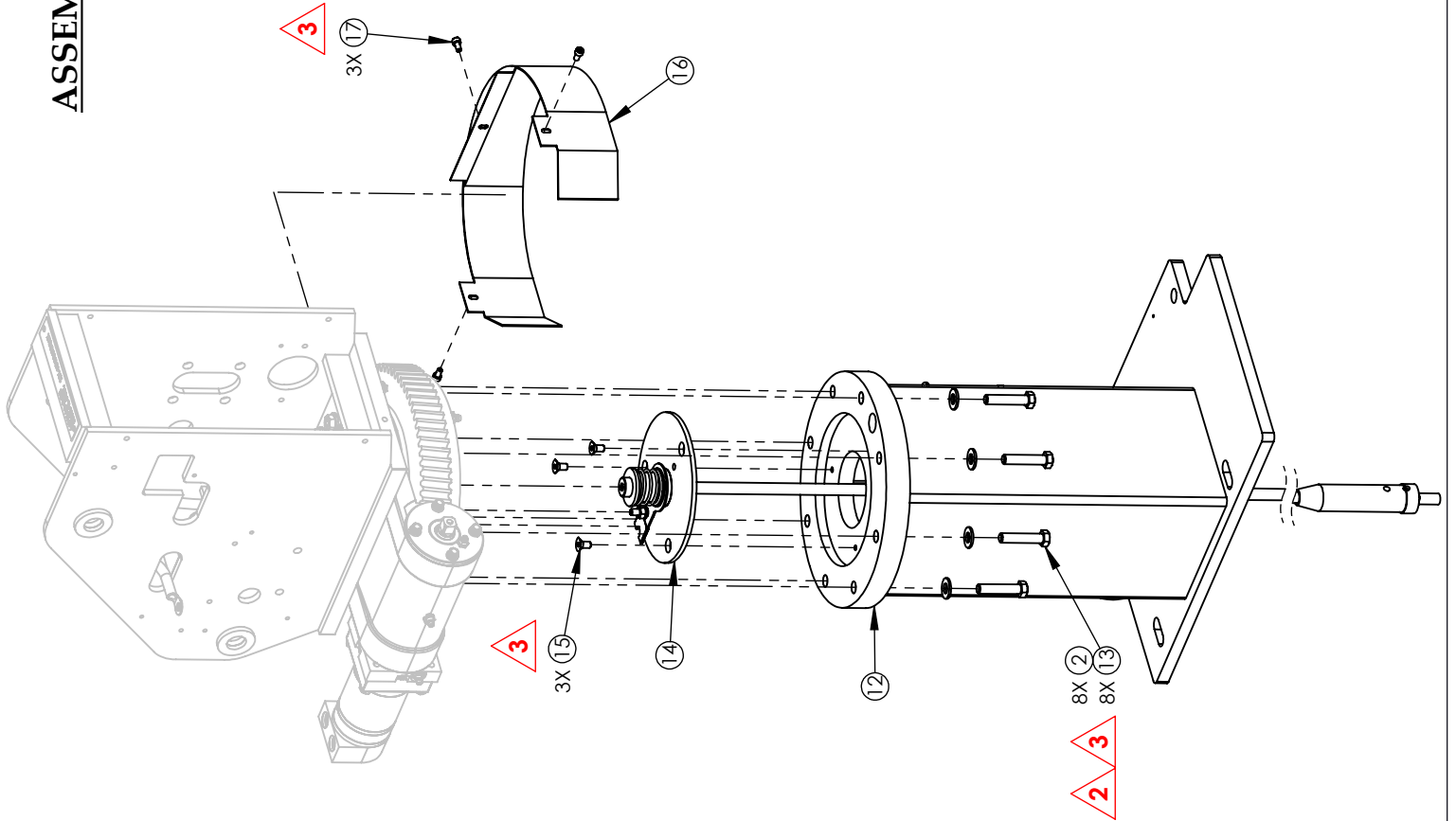
TORQUE SEQUENCE

MACH. PART TO BE A MINIMUM 250 RMS UNLESS SPECIFIED		DEFAULT TOLERANCES UNLESS SPECIFIED:	
XX ± .05	XX ± .030	XX ± .100	XX ± .5°
FRAC. ± 1/16	FRAC. ± 1/32	FRAC. ± 1/64	FRAC. ± 1/128
CHECKED: JE	06/15/2020	MIRL: DP	06/15/2020
ENG APPR: DP	06/15/2020	DRWN: JNA	06/15/2020
DWG. NO. 29396		SHEET 2 - 3	
REV. A		WEIGHT: 142.139 Lbs.	

LIFTMOORE INC.
BASE-HOUSING ASSY 206REL/WREL

PROPRIETARY AND CONFIDENTIAL
 INFORMATION CONTAINED IN THIS DRAWING IS THE SOLE PROPERTY OF LIFTMOORE INC.
 REPRODUCTION IN WHOLE OR IN PART WITHOUT THE WRITTEN PERMISSION OF LIFTMOORE INC. IS PROHIBITED.

ASSEMBLY STEP 2

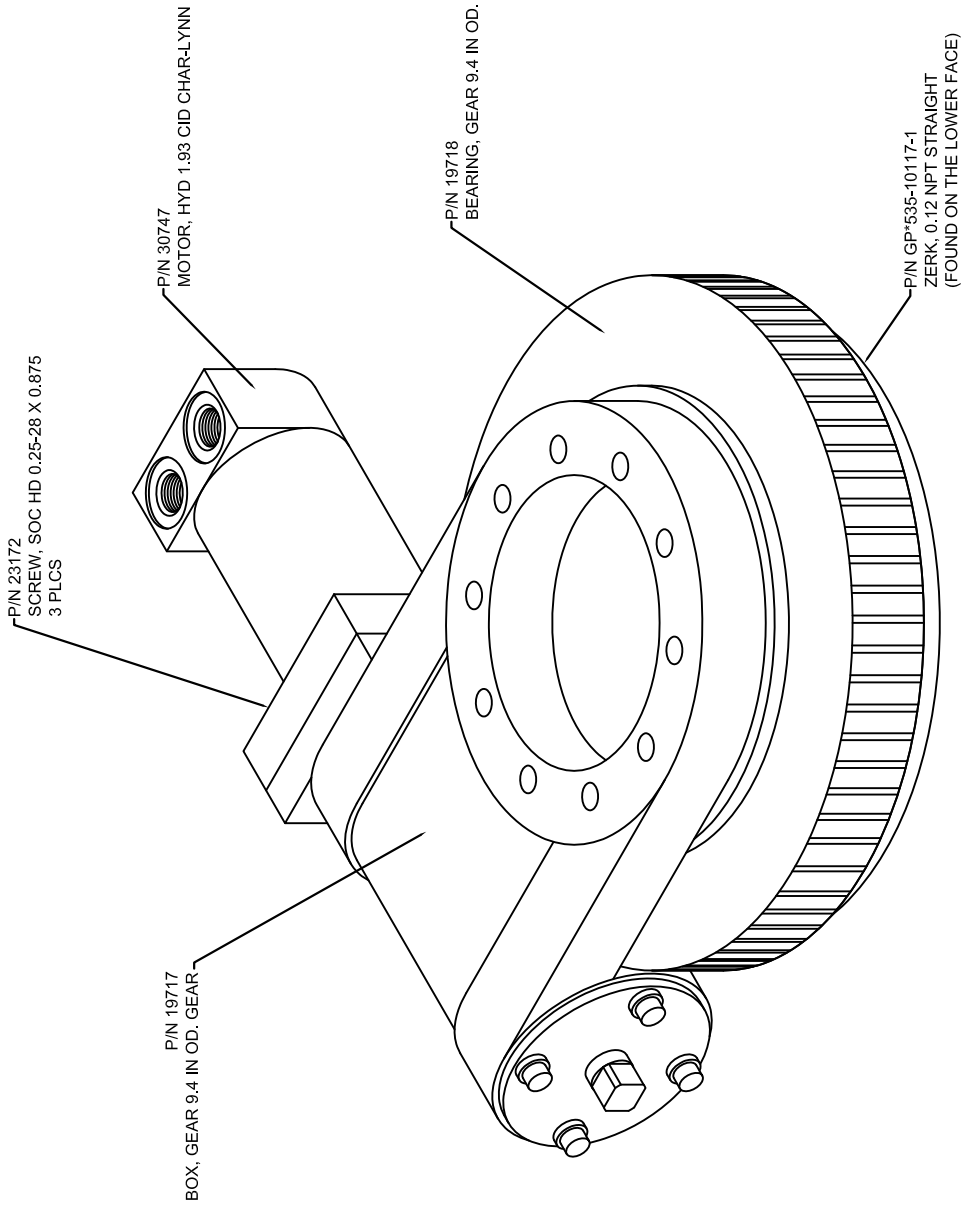


TORQUE SEQUENCE

LIFTMOORE INC.
BASE-HOUSING ASSY 206REL/WREL

MACH. PART TO BE A MINIMUM 250 RMS UNLESS SPECIFIED	
DEFAULT TOLERANCES UNLESS SPECIFIED:	
XX	± .05
XX	± .030
X	± .100
XX	± .1/16
XX	± .5
FRAC.	± 1/16
CHECKED	JE 06/15/2020
MIRL:	06/15/2020
ENG APPR:	DP 06/15/2020
DRAWN	NA
REV	A
DWG. NO.	29396
WEIGHT:	142.139 Lbs
SHEET	3 - 3

PROPRIETARY AND CONFIDENTIAL
 INFORMATION CONTAINED IN THIS DRAWING IS THE SOLE PROPERTY OF LIFTMOORE INC. REPRODUCTION IN WHOLE OR IN PART WITHOUT THE WRITTEN PERMISSION OF LIFTMOORE INC. IS PROHIBITED.



Houston TX
(713)-688-5533
www.liftmoore.com

DRWN BY: JC

DATE: 05/14/09

BEARING, GEAR PRODUCTS ASSY

DRAWING NO.

19430-B



BY: JC
DATE: 4/24/08

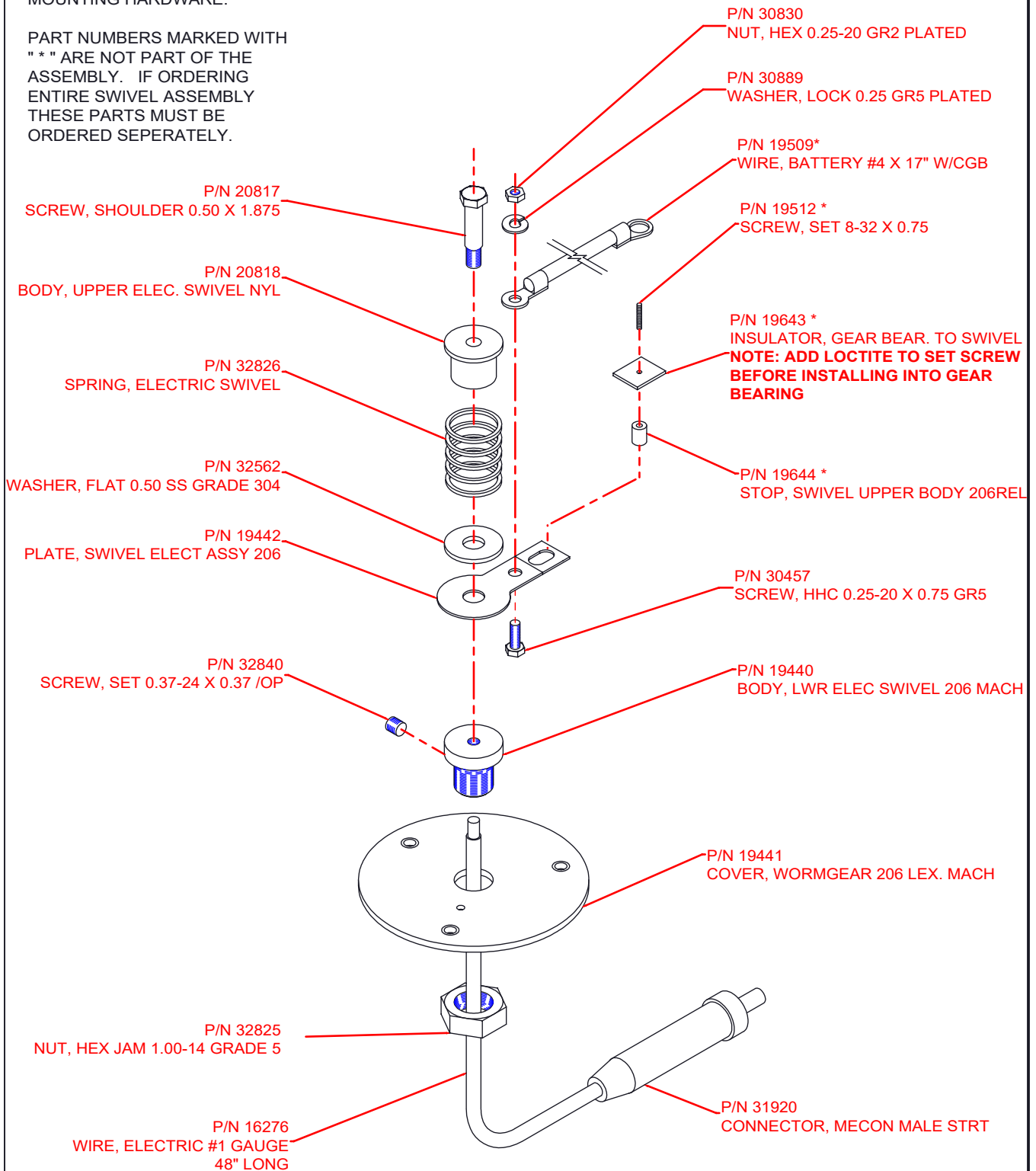
ELECTRICAL SWIVEL ASSY 206

DOCUMENT NO.

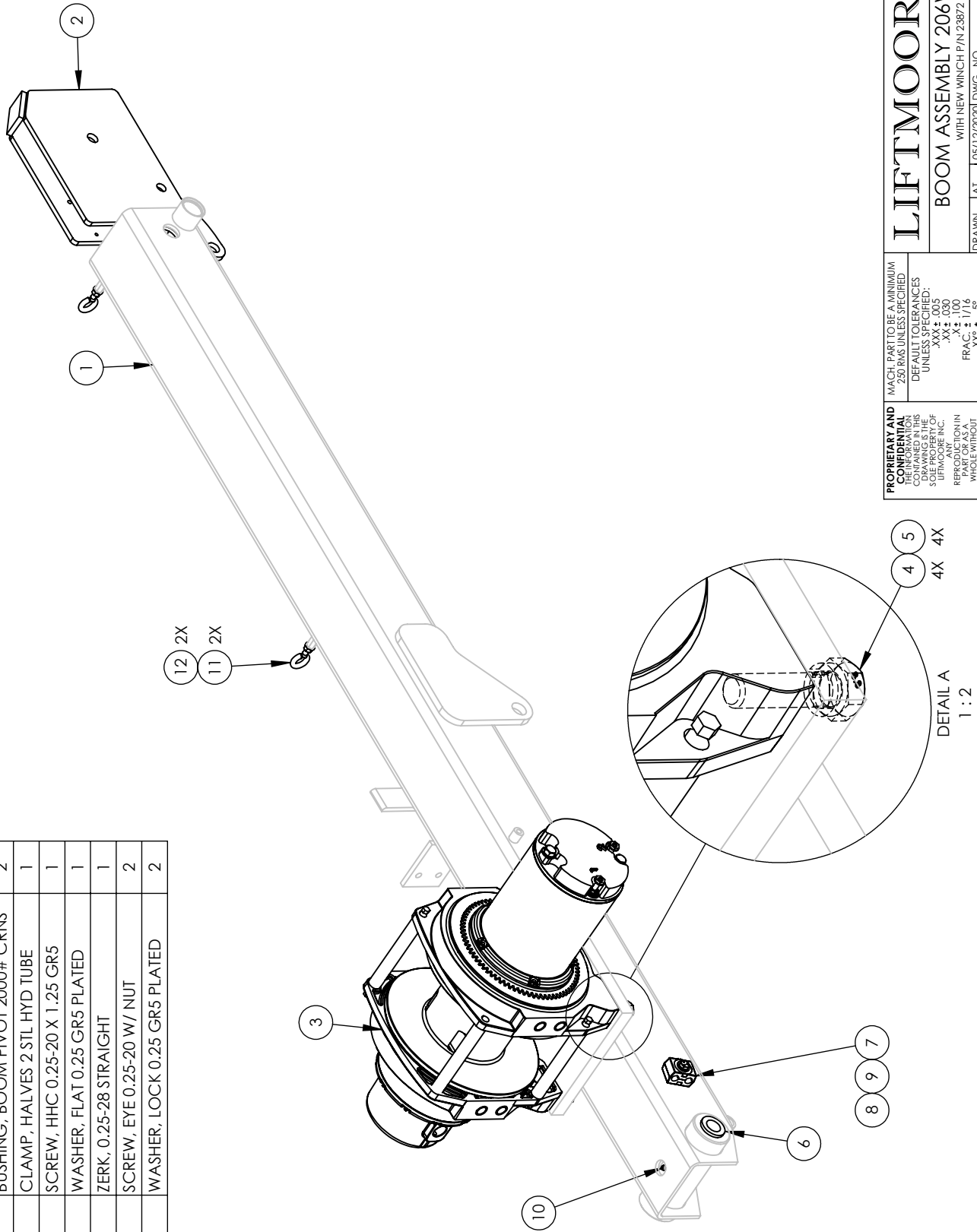
50471-F

DRAWING SHOWS PARTS
BREAK DOWN OF ELECTRIC
SWIVEL ASSEMBLY P/N 19438 &
MOUNTING HARDWARE.

PART NUMBERS MARKED WITH
" * " ARE NOT PART OF THE
ASSEMBLY. IF ORDERING
ENTIRE SWIVEL ASSEMBLY
THESE PARTS MUST BE
ORDERED SEPERATELY.



ITEM	PART NUMBER	DESCRIPTION	QTY
1	26972	BOOM, OUTER 206W WELD ATB	1
2	26964	BOOM, INNER 206 WELD ATB	1
3	23872	WINCH, ELEC 12VDC 4000	1
4	70027	SCREW, HHC M12 X 1.75-45MM GR8	4
5	30983	WASHER, LOCK 0.50 HICOLLAR GR5	4
6	34163	BUSHING, BOOM PIVOT 2000# CRNS	2
7	15789	CLAMP, HALVES 2 STL HYD TUBE	1
8	31189	SCREW, HHC 0.25-20 X 1.25 GR5	1
9	31110	WASHER, FLAT 0.25 GR5 PLATED	1
10	30936	ZERK, 0.25-28 STRAIGHT	1
11	33367	SCREW, EYE 0.25-20 W/ NUT	2
12	30889	WASHER, LOCK 0.25 GR5 PLATED	2



LIFTMOORE INC.
BOOM ASSEMBLY 206W BAIL ATB
 WITH NEW WINCH P/N 23872 W/ATB

PROPRIETARY AND CONFIDENTIAL INFORMATION CONTAINED IN THIS DRAWING IS THE SOLE PROPERTY OF LIFTMOORE INC. REPRODUCTION IN WHOLE OR IN PART OR AS A GUIDE FOR THE MANUFACTURE OF ANY PART WITHOUT THE WRITTEN PERMISSION OF LIFTMOORE INC. IS PROHIBITED.

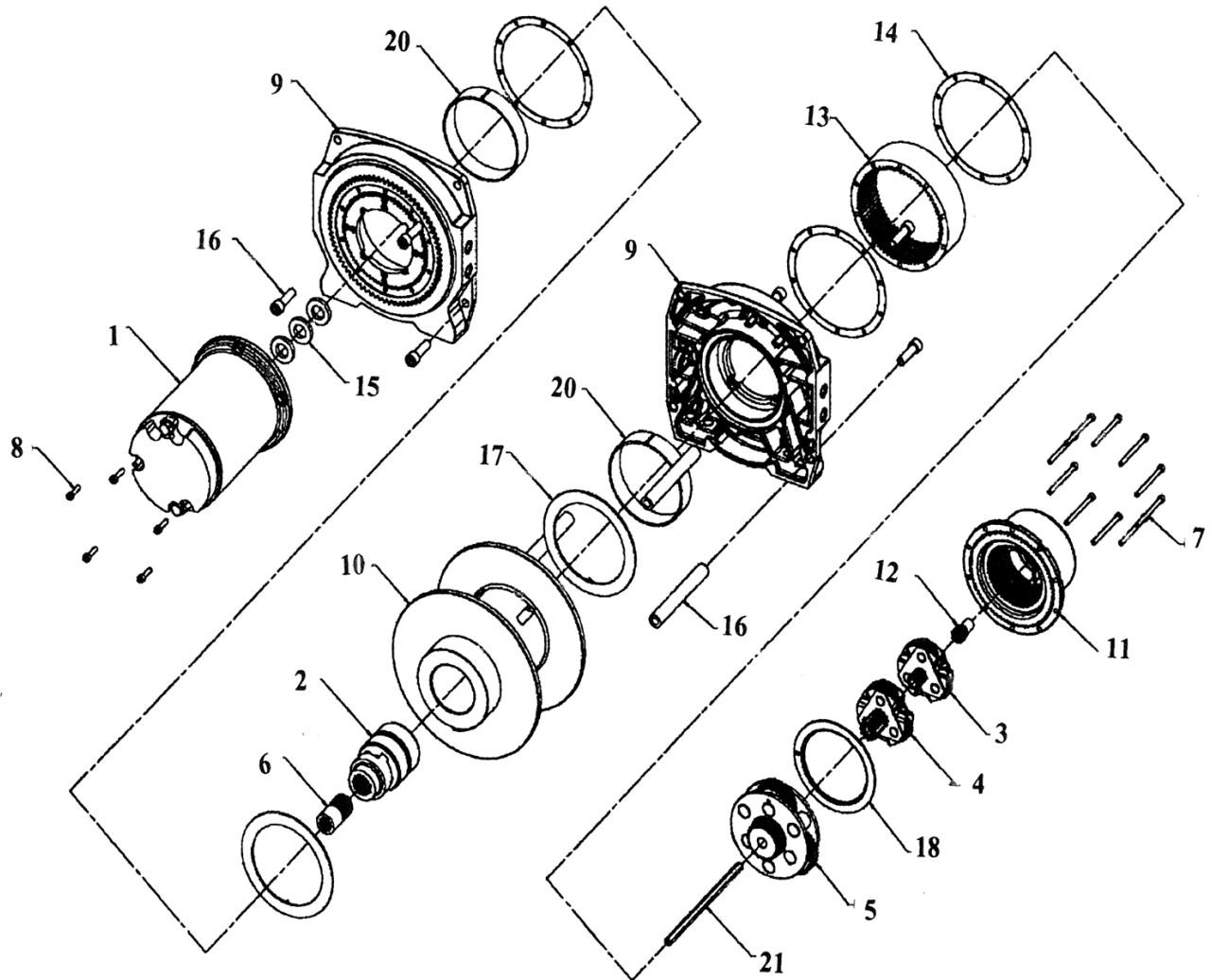
MACH. PART TO BE A MINIMUM 250 RMS UNLESS SPECIFIED
 DEFAULT TOLERANCES UNLESS SPECIFIED:
 XX ± .030
 X ± .100
 FRAC. ± 1/16
 XX ± .5"

CHECKED: JE 05/12/2020
 ENG APPR: DP 05/12/2020

DRAWN: JAT 05/12/2020
 MTRL: SHEET 1 - 1
 WEIGHT: 1.64061 Lbs

REV A
 26973

WINCH DC2000 12VDC P/N 23872



SERVICE PARTS LIST: DC2000LF HOIST-12V P/N 23872

ITEM REFERENCE		ITEM / KIT No.
1	MOTOR SPLINED 12V DC	WI*84211
2	BRAKE ASSEMBLY DC2000	WI*63550
3	CARRIER ASSY, STAGE 1	WI*28430
4	CARRIER ASSY, STAGE 2	WI*28433
5	CARRIER ASSY, STAGE 3	WI*28115
6	COUPLER, MOTOR/BRAKE	WI*32149
7	CPSCR, 10-24 X 2-1/4-HEX SOCKET HEAD-PI	WI*13850
8	CPSCR, SOC, 10-24 X 3/4, GR9 (KB)	WI*5553
9	(MTO) S/P DRUM SUPPORT, GEAR END	WI*85575
10	DRUM, (KB) 2000-MF, 4.25 DIA	WI*31618
11	SVC KIT END HOUSING SUBASSY, CLUTCH PLUG	WI*85583
12	GEAR, SUN, 12 TOOTH, STAGE 1	WI*13874
13	RING GEAR, ARG, 75 TOOTH	WI*25308
14	HOUSING, GASKET	WI*13848
15	SPACER, MOTOR	WI*15271
16	SVC KIT TIE ROD, ALUMN, .625 X 4.92	WI*85579
17	WASHER, TRUST, NYLATRON, CIM	WI*30277
18	WASHER, TRUST, NYLON, MIDRANGE	WI*13826
19	PARTS PACK, DC2000 HOIST	WI*60049
20	BUSHING DRUM NYLATRON	WI*30274
21	SHAFT-DRIVE-HEX 5/16 X 6.85	WI*84346

LIFTMOORE LIMITED WARRANTY

Parts and Structural

Liftmoore, Inc. warrants each LIFTMOORE crane to be free from defects in materials and workmanship for twelve (12) months from the date of delivery to the original customer. Under the terms of this warranty the crane structural components manufactured by LIFTMOORE, Inc. are warranted for thirty-six (36) months from the date of delivery to the original customer. LIFTMOORE, Inc. will repair or replace, as its sole discretion, any equipment or part that is returned f.o.b. to LIFTMOORE, Inc.'s plant at 7810 Pinemont Drive, Houston, Texas 77040, or to one of its authorized dealers, and is found by LIFTMOORE, Inc. or its authorized dealer to have been defective at the time of original delivery.

The foregoing warranty is the exclusive warranty made by LIFTMOORE, Inc. with respect to its cranes and is in lieu of all other warranties. ANY AND ALL OTHER WARRANTIES, EXPRESS OR IMPLIED, INCLUDING ANY WARRANTY OF MERCHANTABILITY OR FITNESS OF ANY CRANE FOR A PARTICULAR PURPOSE OR OPERATION, ARE HERBY EXPRESSLY DISCLAIMED.

The foregoing warranty applies only to LIFTMOORE cranes under normal use and service and does not apply in the event of damage caused by repair or alteration or damage during shipment, accident, negligence, overloading, or misuse, including operator's failure to follow any of the instructions issued with the crane.

This warranty is limited to the original purchaser and is not assignable. In order to submit a claim, the original purchaser must provide a copy of the original invoice for the crane in question within twelve (12) months following the delivery date and within 30 days from the date of repair.

The warranty applies only when the LIFTMOORE crane is used for commercial purposes and does not cover any purchase for use for personal, family or household purposes.

LIMITATION OF LIABILITY: LIFTMOORE, Inc.'s liability for any losses or damages resulting from any cause whatsoever, including LIFTMOORE, Inc.'s NEGLIGENCE or from a defective crane irrespective of whether such defects are discoverable or latent, shall in no event exceed the purchase price of the crane to which losses or damages are claimed, or at the election of LIFTMOORE, Inc., the repair or replacement of the defective crane.

In no event shall LIFTMOORE, Inc. be liable for any special, incidental, or consequential damages, including commercial losses or costs of any kind sustained by purchaser or any other person or for any damages for which purchaser may be liable to other persons by reason of any defect in any LIFTMOORE crane or any part thereof.

LIFTMOORE, Inc. reserves the right to make changes in design or construction of its cranes at any time without obligating itself to make such changes on cranes previously manufactured.

No agent, employee, or representative of LIFTMOORE, Inc. has authority to amend or modify the foregoing warranty or to bind LIFTMOORE, Inc. by any other warranty, guaranty, or assumption of liability.

In the event any provision of this warranty is for any reason held ineffective, the remaining provisions shall remain in full force and effect.

Some states do not allow limitations on how long an implied warranty lasts or the exclusion or limitation of incidental or consequential damages, so the above limitations and exclusions may not apply to you. This warranty gives you specific legal rights, and you may also have other legal rights that vary from state to state.

