

TABLE OF CONTENTS
 USERS MANUAL P/N 28288
 CRANE 6036X-20 W1
 BAIL ATB, VOLTMETER, E-STOP W/HORN

SECTION I

GENERAL OPERATION, INSPECTION, AND MAINTENANCE

| | | |
|--|---------------|------|
| CRANE SAFETY RULES..... | F1122-B | 1-1 |
| INTRODUCTION | F1111-D | 1-3 |
| OPERATING RESTRICTIONS/PRACTICES | F1112-E | 1-4 |
| INSPECTION AND MAINTENANCE..... | F1113-D | 1-7 |
| MONTHLY INSPECTION REPORT | F1123-B | 1-9 |
| HAND SIGNALS FOR CONTROLLING CRANE OPERATIONS..... | F2409-0..... | 1-10 |

SECTION II

CRANE SYSTEMS AND TROUBLESHOOTING

| | | |
|---|--------------|------|
| SAFETY SYSTEM..... | F1115-F..... | 2-1 |
| ELECTRIC HOIST..... | F1258-A..... | 2-2 |
| HYDRAULIC SYSTEM | F1145-D..... | 2-3 |
| TROUBLESHOOTING SAFETY SYSTEM | F1254-A..... | 2-5 |
| TROUBLESHOOTING ELECTRIC HOIST | F1259-0..... | 2-6 |
| TROUBLESHOOTING HYDRAULIC SYSTEM..... | F1255-B..... | 2-8 |
| RADIO/CAN REMOTE CONTROL SYSTEM..... | F2385-B..... | 2-9 |
| RADIO/CAN REMOTE CONTROL SYSTEM – INST / OPS..... | F2252-B..... | 2-10 |
| DEUTSCH CONNECTIONS & PINS | F2435-0..... | 2-32 |

SECTION III

CRANE SPECIFICATIONS

| | | |
|----------------------------------|--------------|-----|
| LIFTING CAPACITIES | F1675-A..... | 3-1 |
| POWER FUNCTIONS AND SPEEDS..... | F1675-A..... | 3-2 |
| BOLT AND LUBRICATION SPECS | F1675-A..... | 3-3 |
| CRANE LUBRICATION POINTS..... | F1675-A..... | 3-4 |

SECTION IV

PARTS

| | | |
|-----------------------------------|-------------------|------|
| BOX PARTS LIST..... | F2458-0..... | 4-1 |
| CRANE ASSEMBLY | DWG.28287-C | 4-2 |
| CONTROL, FM ASSY X DRA KTG..... | DWG.26946-B | 4-3 |
| TRAVEL BLOCK ASSEMBLY | DWG.28266-0..... | 4-4 |
| ANTI-TWO BLOCK ASSEMBLY..... | DWG.58435-C..... | 4-5 |
| BOOM-BODY ASSEMBLY..... | DWG.28181-C..... | 4-6 |
| ELEVATION CYLINDER ASSEMBLY | DWG.23287-B | 4-7 |
| BODY ASSEMBLY | DWG.28180-F..... | 4-8 |
| MANIFOLD ASSEMBLY | DWG.22069-E | 4-9 |
| HYDRAULIC PUMP | DWG.23200-A..... | 4-10 |
| BASE-HOUSING ASSEMBLY..... | DWG.28179-E | 4-11 |
| ROTATION SPEED REDUCER | DWG.27128-0..... | 4-12 |
| ELECTRIC SWIVEL | DWG.18322-D..... | 4-13 |



TABLE OF CONTENTS

USERS MANUAL P/N 28288
CRANE 6036X-20 WI
BAIL ATB, VOLTMETER, E-STOP W/HORN

| | | |
|-----------------------------------|------------------|------|
| BOOM ASSEMBLY – 20 FT..... | DWG.28285-0..... | 4-14 |
| BOOM OUTER ASSEMBLY – 20 FT | DWG.28284-0..... | 4-15 |
| BOOM INNER ASSEMBLY – 20 FT | DWG.27415-0..... | 4-16 |
| WINCH..... | DWG.18884-D..... | 4-17 |
| WINCH PARTS LIST..... | DWG.18884-D..... | 4-18 |
| ELECTRICAL SCHEMATIC..... | DWG.50879-E..... | 4-19 |
| DECAL DIAGRAM | DWG.58300-D..... | 4-20 |
| | | |
| WARRANTY | F1442-A | |



CRANE SAFETY RULES

CAUTION!

1. READ AND UNDERSTAND OPERATOR'S MANUAL.
2. INSPECT VEHICLE AND CRANE, INCLUDING ITS OPERATION BEFORE DAILY USE.
3. USE THIS EQUIPMENT ONLY ON SOLID LEVEL GROUND WITH OUTRIGGERS OR JACKSTANDS PROPERLY SET.
4. BEFORE OPERATING THE CRANE REFER TO MAXIMUM LOAD CHART ON CRANE FOR OPERATING LOAD LIMITS.
5. BE SURE LOAD BEING LIFTED IS WITHIN SAFE WINCH CAPACITY AS WELL AS SAFE CRANE CAPACITY. MULTI-PART LINE OPERATION IS REQUIRED WHEN SINGLE LINE LOAD CAPACITY OF WINCH IS EXCEEDED.
6. DO NOT OPERATE, WALK, OR STAND UNDER THE BOOM OR ANY SUSPENDED LOAD.
7. ALWAYS PAY OUT LOAD LINE BEFORE EXTENDING BOOM. WIRE ROPE DAMAGE AND / OR BREAKAGE MAY OCCUR.
8. BOOM MUST BE IN ITS REST BEFORE MOVING VEHICLE.
9. BOOM TIP MUST BE DIRECTLY OVER THE LOAD BEFORE ANY LIFTING IS STARTED. DO NOT DRAG LOADS WITH THIS CRANE.
10. MAINTAIN THIS CRANE AS REQUIRED IN THE OWNER'S MANUAL.
11. DO NOT ALLOW PERSONNEL TO RIDE ON THE LOAD LINE, LOAD, OR BOOM OF THIS CRANE.
12. IT IS UNLAWFUL TO OPERATE THIS EQUIPMENT WITHIN TEN FEET OF HIGH VOLTAGE LINE



THIS PAGE INTENTIONALLY LEFT BLANK



F1122-B
05/12/08

HOUSTON, TEXAS
FAX: (800) 824-5559 (USA & Canada)
FAX: (713) 688-6324
PHONE: (713) 688-5533
www.liftmoore.com

INTRODUCTION

This crane is a powerful machine designed to lift and move heavy loads. There are many hazards associated with these operations. Liftmoore has designed this crane to be as safe as possible but -

IT IS THE OPERATOR'S RESPONSIBILITY TO PREVENT ACCIDENTS!

This takes pre-planning, attention, and knowledge of basic principles and rules. Even if you have used similar cranes, reading this manual in its entirety will help prevent damage, injury, or even loss of life; benefits well worth the short amount of time it takes to read these pages.

REGULATORY AUTHORITY

Use of this crane is governed by OSHA 29 CFR 1910.180 and may be governed by other federal, state, or local regulations.

IT IS THE OPERATOR'S RESPONSIBILITY TO UNDERSTAND AND COMPLY WITH ALL APPLICABLE REGULATIONS GOVERNING THE OPERATION, INSPECTION, AND MAINTENANCE OF THIS CRANE.

Personnel should be trained, tested, and certified, as recommended by OSHA and ANSI standards, before operating this crane.

USING THIS MANUAL

This manual assumes that the crane is mounted on a typical service body type or similar truck, which is powered by the vehicle electrical or hydraulic system, and is controlled by either the standard pendant control or FM radio control sold by Liftmoore, Inc.

This manual is supplied to provide basic guidelines for the safe use, routine maintenance, and general inspections of this crane.

This manual is supplied to provide basic guidelines for the safe use, routine maintenance, and general inspections of this crane.

Laws, regulations, standards, or policies may be more restrictive than this manual. If a conflict exists for any limit or condition, the safest or most prohibitive shall be used. Under no circumstances shall the load, moment, or stability ratings be exceeded.

Pay particular attention to the following:

WARNING! – Draws attention to hazards, conditions, or procedures that if not observed could result in injury or death.

CAUTION! – Draws attention to hazards, conditions, or procedures that if not observed could result in damage to the crane, load, or other equipment. Equipment failure could in turn lead to injury or death.

NOTE! – Draws attention to conditions or procedures that are essential to emphasize.

For questions, interpretations, or to report errors, please contact Liftmoore, Inc, Engineering Dept.



OPERATING PRACTICES

OPERATING RESTRICTIONS

DUTY CYCLE

For Electric Cranes the duty cycle time should be limited to 10%. This is limited by heat buildup in the motors and declining charge in the batteries. (Installing extra batteries near the crane helps keep the voltage at maximum.)

PERSONNEL

LIFTING OR MOVING OF PERSONNEL IS STRICTLY PROHIBITED! This crane was neither designed nor intended to lift personnel. Under no circumstances should anyone be allowed to ride on the crane, line, or load. All non-essential personnel must be kept away when using the crane. The load must never be moved over people, nor must anyone be allowed to pass or stand under a suspended load.

ELECTRICAL LINES

Consult ANSI B30.5 for operating procedures, minimum safe distances, and prohibited zones when working around electrical lines or poles.

When operating near electrical power lines, the crane must be positioned so that the distance from the crane to the lines or poles is equal to or greater than the length of the fully extended boom plus the minimum safe distance required.

All parts of the crane, line, and load must be kept a minimum safe distance from electrical power lines and poles. This distance is 10 feet for electrical lines carrying 50kV or less.

UNDER NO CIRCUMSTANCES SHOULD A CRANE BE OPERATED UNDER ELECTRICAL POWER LINES.

SETUP

POSITION The vehicle must be positioned so that the load is kept as close to the crane base as possible to reduce the moment on the crane. Consideration must be given to starting and ending position as well as firmness and slope of the ground and any obstructions.

OUTRIGGERS The outriggers or jackstands must be firmly set and the vehicle as level as possible. This will reduce the stresses on the rotation drive and keep the load off the vehicle's suspension. Keep in mind that the weight on the vehicle will shift as the crane and load is rotated.

MANUAL BOOM EXTENSION If the manual extension part of the boom is needed, it must be extended and the boom pin placed in the required position. Insert the pin and replace the pin's hairpin keeper before attempting to lift any load.

LOAD LIMIT The operator must understand the crane load chart. The operator must ensure that the load is within the load limits over the entire range which it will be moved. Be sure to include the weight of any lifting devices including the travel block.

The load limit chart is attached to the side of the crane to aid the operator.

The boom angle indicator and chart aids the operator in determining the load capacity at various boom angles and extensions. It also gives the load limit at that configuration.

STABILITY A stability chart must be posted near the crane. The operator must understand the stability chart. The crane may be de-rated over some areas of its operating radius.



TRAVEL BLOCK The operator must determine if the load is within the single line compatibility of the winch or if a multi-part line configuration is needed.

REEVING Ensure the proper routing of the rope through the sheaves and travel block. The rope must lie in the sheave groove and must not rub against any metal objects.

Ensure the rope is correctly wound on the winch drum. The crane assembly drawing will indicate if the rope must be wound over the top or bottom of the drum. The rope must never contact any part of the winch mounting.

WARNING!

If the winch winding direction is reversed the brake will not work and the load will fall.

ATTACHING THE LOAD

POSITION The boom tip must be moved over the load before lifting so that it will be lifted straight up.

CAUTION!

Never drag a load with the crane. Dragging a load puts very high stresses on the crane for which it was not designed.

ROPE Check the rope condition to ensure it is not frayed or damaged. Ensure that the rope is not kinked and that it does not contact any sharp edges or make any sharp bends.

If using double line configuration, ensure that the lines are not twisted.

CAUTION!

Never wrap the hoist rope around the load! Serious damage to the rope WILL occur.

HOOK Always make sure the load is applied to the throat of the hook. Never use a bent hook.

CAUTION!

Always lift with the throat of the hook. Never lift with the load applied to the tip of the hook. Doing so will bend the hook.

SLINGS If the load does not have a lifting eye, use a nylon, chain, or other type of sling designed for lifting and rated for loads greater than that being lifted.

BALANCE Ensure the load will be secure and balanced when lifted. Ensure that the load cannot shift in the sling and that the sling cannot slide across the hook should the load become unbalanced.

LIFTING THE LOAD

Before lifting, ensure that the load is free from all mountings and is no way attached or stuck to anything.

Ensure that at least five full wraps remain on the winch drum at all times.

Test the winch brake by lifting the load a few inches and ensuring that it does not slip.



HOLDING THE LOAD

The operator must keep the load in sight at all times once it is lifted.

The operator must never leave the controls once the load is lifted.

The operator must ensure that no one is allowed to pass or stand under a suspended load.

CAUTION!

Never move the vehicle with a suspended load. Doing so will put dynamic loads on the crane for which it was not designed.

MOVING THE LOAD

Before moving the load, make sure the path is free of any obstructions or people.

Avoid sudden accelerations or stops. Speeds must be kept to a minimum, especially rotation, to keep the load from swinging.

Avoid sudden reversing of direction. Do not reverse direction while the load is still moving.

Make sure that no part of the crane, boom, or load makes contact with any obstruction or comes within a minimum of ten feet from any electrical line.

TRANSIT

While in transit, the crane must be stowed, preferably in a boom rest. The crane must be prevented from rotating and the hook prevented from swinging.



INSPECTION AND MAINTENANCE

OSHA and ANSI require frequent and periodic inspections. Records of these inspections must be kept readily available. Liftmoore requires periodic maintenance to ensure proper operation and prolonged life of the crane.

INSPECTION

DAILY INSPECTION

OSHA 29CFR 1910.180 (d)(2)(i) requires the following be checked daily prior to use:

- All control mechanisms for maladjustment interfering with proper operation as well as for excessive wear of components and contamination by lubricants or other foreign matter.
- All safety devices for malfunction. This should include the anti-two block and pressure switch.
- Deterioration or leakage in air or hydraulic systems.
- Crane hooks with deformations or cracks. For hooks with cracks or having more than 15 percent in excess of normal throat opening or more than 10 deg. twist from the plane of the unbent hook.
- Electrical apparatus for malfunctioning, signs of excessive deterioration, dirt, and moisture accumulation. This should include the battery terminals, master disconnect switch, electrical swivel
- The wire rope shall be replaced if any of the following conditions are noted:
 - Kinking, crushing, bird-caging, or other damage
 - Reductions from nominal diameter of more than one-sixty-fourth inch for diameters up to and including five-sixteenths inch, one-thirty-second inch for diameters three-eighths inch to and including one-half inch.
 - Thimble is not in place or is damaged
 - Any evidence of heat damage
 - Six or more randomly distributed broken wires in 1 lay
 - Three or more broken wires in 1 strand in 1 lay

MONTHLY INSPECTION

A thorough inspection of all ropes in use shall be made at least once a month and a certification record which includes the date of inspection, the signature of the person who performed the inspection and an identifier for the ropes shall be prepared and kept on file where readily available. All inspections shall be performed by an appointed or authorized person. Any deterioration, resulting in appreciable loss of original strength shall be carefully observed and determination made as to whether further use of the rope would constitute a safety hazard. Some of the conditions that could result in an appreciable loss of strength are the following:

- Reduction of rope diameter below nominal diameter due to loss of core support, internal or external corrosion, or wear of outside wires.
- A number of broken outside wires and the degree of distribution of concentration of such broken wires.



- Worn outside wires.
- Corroded or broken wires at end connections.
- Corroded, cracked, bent, worn, or improperly applied end connections.
- Severe kinking, crushing, cutting, or unstranding.

PERIODIC INSPECTION

An Annual Inspection Form is included in this manual. OSHA 29CFR 1910.180 (d)(2)ii) requires periodic inspections of this crane. Liftmoore recommends an annual inspection using the included form.

MAINTENANCE PRECAUTIONS

The crane should be maintained monthly for safety reasons and to reduce stress on the crane.

WARNING!

Never perform any maintenance while the crane has any type of load on it. Use the manual operation procedure to lower the load if necessary.

WARNING!

Hydraulic cylinders may have high pressure stored in them even after hydraulic power is removed.

The counterbalance and pilot operated check valve in the cylinder will always hold some pressure in the cylinder. Slightly extending the cylinder then retracting a small amount will relieve most of the pressure in the cylinder. **DO NOT DEADHEAD THE CYLINDER!** This will store the maximum amount of pressure in the cylinder. Care should be taken when either valve is removed from the cylinder as some pressure will still remain.

After any maintenance has been performed the crane shall not be operated until all guards have been reinstalled, all safety

devices reactivated, and maintenance equipment removed.

LUBRICATION Refer to the crane specification section for the periodic maintenance schedule and type of lubrication required.

BOLTS Bolts may loosen over time due to vibration; therefore they should be checked periodically. If bolts need to be replaced, make sure they are replaced with bolts of equal or greater strength. Check the periodic maintenance schedule (Crane Specification Section) for bolt specification and torque.

NOTE!

Sheave and boom and cylinder pivot bolts are not standard bolts. The shank and thread length of these bolts have been modified so that they do not pivot on the threads. Consult the parts section of this manual for part numbers of these bolts.

OTHER MAINTENANCE

Refer to parts drawings for any specific maintenance or adjustment procedures such as hydraulic winch brake, rotation drive gear set adjustment, Ect.



MONTHLY INSPECTION REPORT

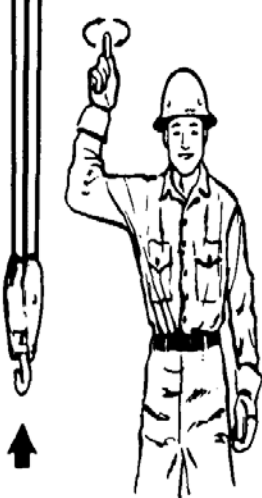
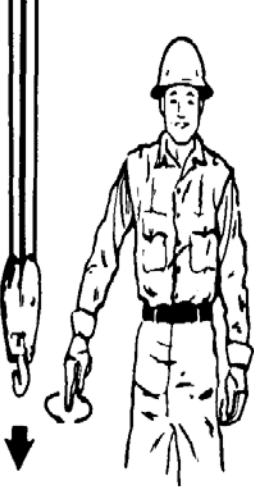


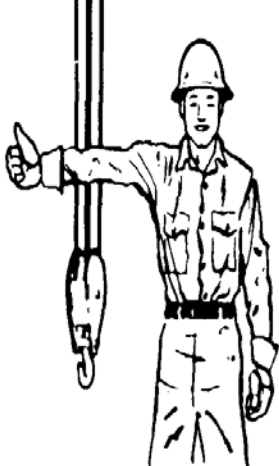
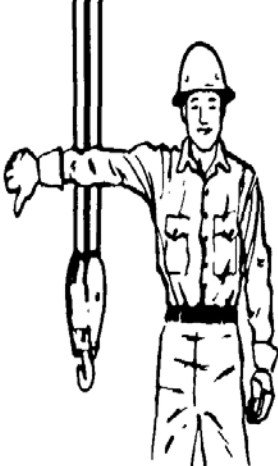
Crane Model No. _____ **Serial Number** _____

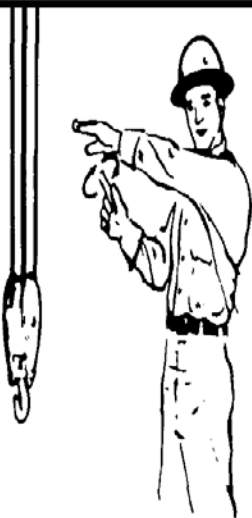
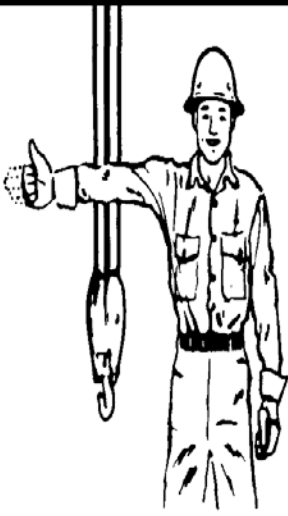
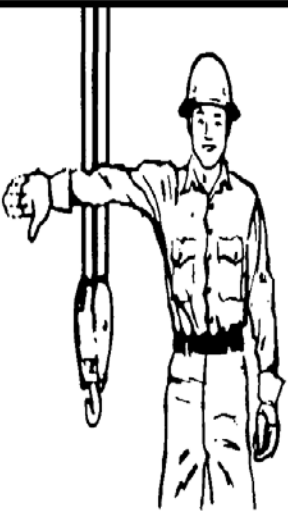
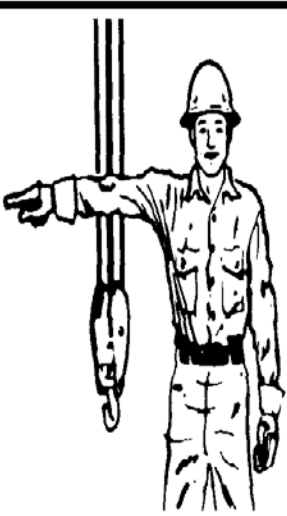
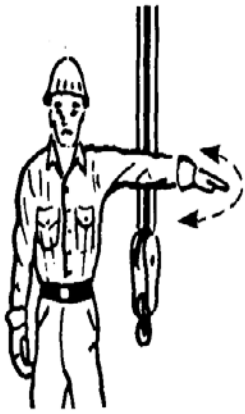
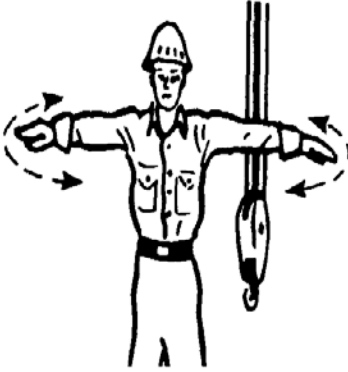
| | | |
|--|-----------|----------|
| Are Boom Hitch Pins and Keepers in place? | Yes _____ | No _____ |
| Wire Line Hook with Safety Latch Working? | Yes _____ | No _____ |
| Is Hook OK, (Not bent)? | Yes _____ | No _____ |
| Is Thimble on Wire Rope OK? | Yes _____ | No _____ |
| Is Traveling Block in use? | Yes _____ | No _____ |
| Is Wire Rope OK, not kinked or frayed? | Yes _____ | No _____ |
| Are all Boom Sections straight? | Yes _____ | No _____ |
| Are Sheave Bolts in place and tight? | Yes _____ | No _____ |
| Do all Sheaves rotate easily? | Yes _____ | No _____ |
| Are Mounting Bolts tight? | Yes _____ | No _____ |
| Is Anti Two-Block functioning properly? | Yes _____ | No _____ |
| Is Boom Angle Indicator in place and functioning and is Chart legible? | Yes _____ | No _____ |
| Are Cylinder Mounting Bolts secure? | Yes _____ | No _____ |
| Are Winch Mounting Bolts tight? | Yes _____ | No _____ |
| When stopped does winch drift less than 1.0 Inches? | Yes _____ | No _____ |
| Is Load Chart in place and easily read? | Yes _____ | No _____ |
| Are functions on Pendant operating correctly? | Yes _____ | No _____ |
| Is Hydraulic Reservoir full? | Yes _____ | No _____ |
| Is Outrigger straight and functioning? | Yes _____ | No _____ |

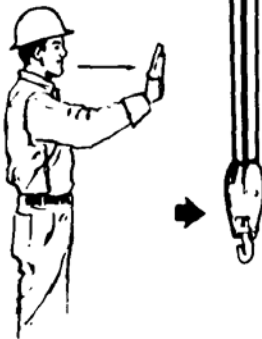

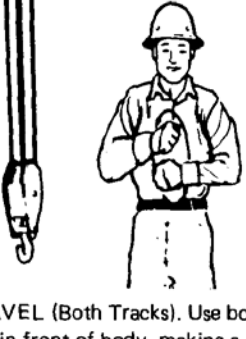





Any items checked 'No' must be repaired before using this crane.



STANDARD HAND SIGNALS FOR CONTROLLING CRANE OPERATIONS

| | | |
|--|---|--|
|  <p>HOIST. With forearm vertical, forefinger pointing up, move hand in small horizontal circle.</p> |  <p>LOWER. With arm extended downward, forefinger pointing down, move hand in small horizontal circle.</p> |  <p>USE MAIN HOIST. Tap fist on head; then use regular signals.</p> |
|  <p>USE WHIPLINE (Auxiliary Hoist). Tap elbow with one hand; then use regular signals.</p> |  <p>RAISE BOOM. Arm extended, fingers closed, thumb pointing upward.</p> |  <p>LOWER BOOM. Arm extended, fingers closed, thumb pointing downward.</p> |

| | | |
|---|---|---|
|  <p data-bbox="256 751 597 930">MOVE SLOWLY. Use one hand to give any motion signal and place other hand motionless in front of hand giving the motion signal. (Hoist slowly shown as example.)</p> |  <p data-bbox="630 751 971 898">RAISE THE BOOM AND LOWER THE LOAD. With arm extended, thumb pointing up, flex fingers in and out as long as load movement is desired.</p> |  <p data-bbox="1003 751 1344 930">LOWER THE BOOM AND RAISE THE LOAD. With arm extended, thumb pointing down, flex fingers in and out as long as load movement is desired.</p> |
|  <p data-bbox="264 1497 597 1570">SWING. Arm extended, point with finger in direction of swing of boom.</p> |  <p data-bbox="638 1497 971 1602">STOP. Arm extended, palm down, move arm back and forth horizontally.</p> |  <p data-bbox="995 1497 1328 1602">EMERGENCY STOP. Both arms extended, palms down, move arms back and forth horizontally.</p> |

| | | |
|--|---|--|
|  <p>TRAVEL. Arm extended forward, hand open and slightly raised, make pushing motion in direction of travel.</p> |  <p>DOG EVERYTHING. Clasp hands in front of body.</p> |  <p>TRAVEL (Both Tracks). Use both fists in front of body, making a circular motion about each other, indicating direction of travel, forward or backward. (For land cranes only.)</p> |
|  <p>TRAVEL (One Track) Lock the track on side indicated by raised fist. Travel opposite track in direction indicated by circular motion of other fist, rotated vertically in front of body. (For land cranes only.)</p> |  <p>EXTEND BOOM (Telescoping Booms). Both fists in front of body with thumbs pointing outward.</p> |  <p>RETRACT BOOM (Telescoping Booms). Both fists in front of body with thumbs pointing toward each other.</p> |
|  <p>EXTEND BOOM (Telescoping Boom). One Hand Signal. One fist in front of chest with thumb tapping chest.</p> | |  <p>RETRACT BOOM (Telescoping Boom). One Hand Signal. One fist in front of chest, thumb pointing outward and heel of fist tapping chest.</p> |

SAFETY SYSTEM

The safety system is designed to help prevent damage to the crane that would be caused by overload or two-blocking. The system consists of a load sensor, anti-two block device (optional on smaller, electric cranes), and limiting system control board.

When the applicable switch detects an overload or two-block condition, the limiting system will prevent activation of winch up, boom down, and extend out since these directions would cause damage. Winch down, boom up, extend in, and power rotation will still function so that the crane can be moved to a safe configuration.

CAUTION!

Never de-activate or override safety functions. Doing so can result in serious damage to the crane and possibly injury or death.

LOAD SENSOR

A pressure activated switch in the elevation cylinder acts as a load sensor. This switch is normally closed and opens at the preset pressure corresponding to the load rating of the crane.

CAUTION!

The load sensor will not function when the elevation cylinder is fully retracted and is inaccurate when the boom is below horizontal.

CAUTION!

The operator must never rely strictly on the load sensor to determine overload conditions. The load and load limits must always be known and adhered to.

ANTI-TWO BLOCK

The anti-two block device (optional on smaller electric cranes), mounted on the boom crown plate, consists of a normally open switch actuated by a lever. A weight is attached to the lever and holds the switch

closed. If the weight is lifted by the hook or travel block the switch opens.

The power and signal wires are wired through the cord reel, which is in turn wired to the ATB switch.

LIMITING SYSTEM CONTROL

The limiting system control prevents output of winch up, boom down and extend out if it is not receiving a signal from either the ATB or load sensor.

The ATB does not trip boom down when winch is mounted on the boom.

There is a one second delay before deactivation of boom down when the load sensor is tripped to prevent false readings caused by pressure spikes.

MISCELLANEOUS

UP LIMIT SWITCH

The up limit switch prevents the elevation cylinder from reaching full extension. If the elevation cylinder were to "dead-head", the resulting pressure would activate the load sensor, preventing boom down. The boom would then have to be lowered using the manual operation buttons on the solenoid valves.

CIRCUIT BREAKER, FUSE

For electric cranes a 150 Amp circuit breaker is supplied with the crane. It should be installed as close to the battery as possible. For hydraulic cranes a 10 Amp blade type fuse is supplied.

DISCONNECT SWITCH

A power disconnect switch is supplied with the crane. Power to the crane should be turned off whenever not in use. This is to prevent inadvertent or unauthorized use and will help prevent corrosion at electrical connections.



ELECTRIC HOIST

Series Wound Motor

This Liftmoore crane features an electrically driven planetary gear hoist. The hoist is powered in both directions and features an automatic internal brake to positively control the load. It is permanently lubricated.

MOTOR

The hoist motor is a direct current (DC), reversible motor. It is Series Wound – the field coils (terminals F1 & F2) and armature (terminal A) must be connected in series. The fourth, unmarked terminal is ground.

CAUTION!

The hoist motor is rated for intermittent duty. Duty cycle is limited to 5 minutes in 30 to allow the hoist to cool. Extended use can damage the motor and brake.

THERMAL SWITCH

The motor incorporates a normally closed thermal switch to help prevent damage. When the motor heats up the switch will open, preventing hoist up. When the motor cools, the switch will close automatically.

CAUTION!

When the thermal switch opens, hoist down will continue to function, but will continue to build heat. If the load cannot be safely lowered quickly, discontinue use until the motor cools. Motor and brake damage may result.

BRAKE

The hoist features a single acting, overrunning brake. It automatically activates to hold the load and assist in lowering the load.

WARNING!

Overheating the brake may result in permanent damage and possible failure of the brake. Replace any damaged components before continuing use.

WARNING!

The hoist brake only functions in one direction. If the hoisting direction is reversed by reversing the rope winding direction the brake will not hold and the load will fall. Serious injury or death could result.

The brake is factory set and is not adjustable. If the brake fails to hold the load or if downward drift becomes excessive the brake must be replaced.

DIRECTIONAL CONTROL

A sealed contactor that incorporates three double pole-double throw relays controls motor direction. The contactor allows for directional control and provides dynamic braking in the neutral position.

The power, ground, and motor wires are connected to the top bolted terminals, which are clearly labeled. Signal wires are connected to the 3 male spade disconnect terminals on the front of the contactor.

Signal voltage, controlled by the pendant, energizes the applicable relays and controls the direction of the current flow through the field windings, F1 & F2, then directs current through the armature, A.

When the DOWN (right) terminal is energized, current flows from motor terminal F1 to F2, then to A. Energizing the UP (Left) terminal directs current from F2 to F1, then to A. The center terminal is the ground for UP coil. The DOWN coil is internally grounded.



HYDRAULIC SYSTEM FOR ELECTRIC CRANES

The hydraulic system consists of the hydraulic pump, manifold, solenoid valves, cylinders, motors, and tubing and hoses. Hydraulic power is generated by the electrically driven hydraulic pump on the outside of the housing. The hydraulic system is plumbed in series so that more than one function can be operated simultaneously.

PUMP

The hydraulic pump assembly consists of a DC permanent magnet electric motor, pump, and reservoir.

The motor is activated by the pump solenoid. The solenoid is energized by the pendant control whenever a hydraulic function is activated.

The pump provides fluid pressure to power hydraulic functions. The system incorporates an adjustable relief valve to prevent damage that can be caused by over pressurizing the system.

Fluid is drawn from and returned to the reservoir. Servicing the hydraulic pump consist of maintaining the oil level. The reservoir should be kept as full as possible to prevent condensation from forming inside the tank. Also ensure the oil is not contaminated by water, dirt, rust, etc. See crane specification sheet for hydraulic oil type.

SOLENOID VALVES

Each hydraulically operated function is controlled by a 4-way, 3-position (open and close) center solenoid valve. It is electrically operated and spring biased to center. A manual operation button is incorporated in the coil-retaining nut. Valves are mounted to the series manifold.

CYLINDERS

Most hydraulic cylinders are double acting cylinders with integrally mounted counterbalance valve and pilot operated check valves. Refer to the cylinder drawings for specific information.

All cylinders use a counter-balance load holding cartridge valve on the extend port.

This valve performs 3 functions:

- Controls the rate of decent when lowering the load
- Keeps load from falling in the event of sudden loss of system pressure, such as when a hose bursts.
- Acts as a relief valve to prevent damage from induced load or thermal expansion.

It allows free flow to extend then blocks flow until opened by pilot pressure to the retract port or when the relief pressure is reached.

Some cylinders utilize a pilot operated check valve on the retract port to prevent the cylinder from creeping out under no load conditions. This valve allows flow into, but prevents flow from the retract port, thus hydraulically locking the cylinder until opened by pilot pressure to the extend port.

MOTORS

THE HYDRAULIC MOTOR USED BY THE ROTATION DRIVE IS A HIGH-TORQUE, LOW-SPEED CONSTANT DISPLACEMENT MOTOR. MANUAL OPERATION

If electrical problems occur the solenoid valves may be operated manually by depressing the manual operation button incorporated in the coil-retaining nut. Using a blunt object such as a bolt or screwdriver handle may be required to assist operation if high pressures are needed. Refer to the manifold drawing for function valves and directions.

If possible, activate the pump by activating a hydraulic function on the pendant. If this does not work, then energize the pump solenoid using a jumper from the hot side of



the solenoid to the coil post where the WHT/BLK wire is connected. If this fails also then battery voltage can be applied directly to the pump motor.

If hydraulic power is lost while a load is suspended, the load can be lowered by decreasing the setting on the counter-balance valve. This should only be done in extreme cases. The valve must be reset before the crane is returned to use.

WARNING!

The boom may fall if the adjustment is made too fast. Do not stand where the boom may hit you if it falls. Serious injury or death may result

WARNING!

The area between the boom and the cylinder, the boom and the housing, and the cylinder and the housing will change as the boom position changes and could form pinch points. Do not position any part of your body in these areas as it may be pinched or crushed as the boom lowers.

To decrease the setting, loosen the locknut on the valve, then slowly turn the adjustment stem **CLOCKWISE** until the load begins to lower. Count the number of turns so that the valve can be returned to its original setting.

Alternately, a pressure gage must be put on the retract port to adjust the setting so that approx. 1800 PSI is required to lower the boom with no load.

Test the setting by lifting a known load near the moment rating.

TROUBLESHOOTING SAFETY SYSTEM

DTCH Relay Card

To check functions controlled by the safety system check the status indicators. (See Relay Box Assembly drawing.) If only one of the safety functions is not working, activate that function and check for error codes and/or its output status indicator.

For non-FM systems, if the status indicator lights then the problem is in the wiring or in the solenoid coil. If the light does not illuminate, check the control pendant. If the control pendant is good then the crane control module needs to be replaced.

For FM systems, check for error codes. If none are present, see the FM Troubleshooting section.

If boom out, boom down and winch up are not working, confirm that the control board has power. Confirm that the board is receiving a signal from the ATB and load sensor.

If the error code is active, ensure that the crane is not overloaded and that the ATB lever is holding the switch closed. Check for voltage at the ATB and Load Sensor inputs.

CHECK LOAD SENSOR SWITCH

If the load sensor input is not receiving voltage, locate the load sensor connector inside the crane housing. The plug side will have a red wire and a gray wire, the receptacle side will have a red and a white wire.

Disconnect and check for continuity between the two pins on the receptacle (switch side). If there is no continuity then the load sensor is bad and needs to be replaced.

CHECK ATB SWITCH

If the ATB input is not receiving voltage remove the ATB housing cover and disconnect the connector. Check for continuity on the switch side. Lifting the weight should break the continuity. If either of these conditions is incorrect the switch is bad and needs to be replaced.

CHECK CORD REEL

Check the ATB switch if not done so already. Locate the ATB connector inside the crane housing. The plug side will have a red wire and a black wire. The receptacle side will have a white wire and a black wire.

Disconnect the plug going to the switch. Check for continuity between the two pins on the receptacle. Have someone lift the weight on the ATB and continuity should be broken. If either of these conditions are incorrect then the cord reel is bad and needs to be replaced.

CHECK POWER TO SAFETY SWITCHES

If the safety switch is good, check for voltage at pin 1 (the red wire) on the plug. If there is no voltage, follow the wire back to the 6-pin power distribution plug, checking for breaks or shorts.

Remove the power distribution receptacle (cap).

NOTE!

Removing the cap will disconnect power to all electrical components. Be sure to replace the cap before continuing.

Check the cap for bent pins. Check that all wires are fully seated in the plug. If they are not, then remove the green locking wedge and push the wires forward until seated. Reinstall the wedge ensuring that no wires are pushed back.



TROUBLESHOOTING ELECTRIC HOIST

Series Wound, Contactor Controlled

IMPORTANT NOTE!

The importance of first physically checking every connection between the battery and the crane cannot be overstressed!

Poor connections or poor grounding account for a large percentage of hoist problems. Time is often wasted chasing other probable causes only to eventually find a loose or corroded connection. **Measuring the voltage is not sufficient.** Often a poor connection will allow enough amperage to operate a meter or test light, but not enough to operate the hoist, which requires very high amperage.

If the problem is random and intermittent then it is almost assuredly a loose or bad connection.

Another common problem is low battery voltage. Even if the battery is good when troubleshooting begins, running the winch can quickly drain a battery. If it can be done safely, it is best to have the vehicle running.

Also check the control socket and plug for bent, corroded, or dirty pins.

CAUTION!

As the motor approaches stall, due to low voltage or excessive load, a very rapid heat build up occurs which will quickly damage the motor. If the motor is not turning, do not operate the switch for more than a second. Allow the motor to cool between attempts to make it run.

CAUTION!

Do NOT attempt to run if there is no load on the MOTOR, such as when the motor is removed from the hoist. Motor over-speed will result, which will damage the motor.

HOIST OPERATES IN ONLY ONE DIRECTION

If the hoist only operates in one direction then the problem is **not** the motor. Swap the control wires on the contactor. Activating the pendant switch in the working direction should now operate the hoist in the previous non-working direction.

Example: if hoist up is not working, after swapping the control wires activating the hoist down switch should cause the hoist to go up.

If it does then the hoist and contactor are working correctly and the problem is in the pendant or crane wiring. If it does not then the problem is the contactor or brake.

If the motor tries to turn but stalls then the problem is most likely the brake.

If the control wires were swapped in the previous step, return them to their original positions. Swap the motor field wires labeled F1 and F2. It is usually easiest to swap them at the motor.

Activating the pendant switch in the working direction should now operate the hoist in the previous non-working direction.

Example: if hoist up is not working, after swapping the motor wires activating the hoist down switch should cause the hoist to go up.

If it does, then one side of the contactor is not working and it needs to be replaced.

If it does not work, the problem is a brake malfunction. Inspect the brake installation. Correct any problems found. The brake cannot be repaired. Replace if any damage is found.



HOIST DOES NOT RUN IN EITHER DIRECTION

If the hoist does not run in either direction then the problem is either lack of power to the control socket or pendant, lack of sufficient power to the motor, the contactor dynamic braking coil, or hoist brake malfunction.

If any other function works or if the contactor clicks when the switch is activated then the control socket is getting power.

If all power connections have not been checked, do so now. Also ensure that the battery still has sufficient power. As a rule of thumb, if it has enough power to start the engine, then it is good.

Once sufficient power is ensured, if there is any indication that the motor is trying to turn but stalls the problem is the brake – have it replaced.

If there is no indication that the motor is trying to turn, attempt to run the motor directly. Disconnect the wire from the F2 terminal at the contactor and touch it to the + terminal. If the motor turns, the contactor is malfunctioning and needs to be replaced. If the motor does not turn then it is malfunctioning and needs to be replaced.

TESTING THE PENDANT AND CONTROL WIRING

TESTING THE PENDANT AND CONTROL WIRING

If the problem is narrowed to the control wiring, it is most likely do to a cut or disconnected wire. A visual inspection of the wiring should be made and repairs made as necessary.

Refer to the pendant drawing and schematic for pin function and locations.

If no visual defects are found and if a continuity tester is available, disconnect the pendant and check for continuity between the control socket pin and terminal at the contactor.

Alternately, a piece of wire or metal object may be used to short between the control socket power pin and the socket hoist pin(s). If the hoist operates then the problem is in the pendant.

If not, check for power at the control socket power pin. If there is no power, trace the wiring back, checking each connection until the problem is found. Correct as necessary.



TROUBLESHOOTING HYDRAULIC PUMP

Electric Pump, 14P Socket

IMPORTANT NOTE!

The importance of first physically checking every connection between the battery and the crane cannot be overstressed!

Poor connections or poor grounding account for a large percentage of electrical problems. Time is often wasted chasing other probable causes only to eventually find a loose or corroded connection. **Measuring the voltage is not sufficient.** Often a poor connection will allow enough amperage to operate a meter or test light, but not enough to operate the motor, which requires very high amperage.

If the problem is random and intermittent then it is almost assuredly a loose or bad connection.

Another common problem is low battery voltage. Even if the battery is good when troubleshooting begins, running the motor can quickly drain a battery. If it can be done safely, it is best to have the vehicle running.

Also check the control socket and plug for bent, corroded, or dirty pins.

CAUTION!

As the motor approaches stall, due to low voltage or excessive load, a very

rapid heat build up occurs which will quickly damage the motor. If the motor is not turning, do not operate the switch for more than a second. Allow the motor to cool between attempts to make it run.

FOAMY FLUID

If the fluid foams then the problem is the pump seal – have it replaced.

PUMP DOES NOT RUN

If both the pump and winch are not working, the problem is power related or control wiring related. Troubleshoot those areas first.

If the solenoid is actuating it will make a clicking noise. If the solenoid is not clicking, check for power at the coil input (small screw terminal) on solenoid when the Boom Up switch is activated. If there is no power then the problem is the electrical wiring harness or pendant control wiring.(refer. to CONTROL TROUBLESHOOTING CHART).

If the coil is getting power when the switch is activated, but not clicking then the problem is most likely the solenoid.

If the solenoid is clicking check for full power input to the solenoid. Trace the wiring back to the crane input, checking for power at each connection until the problem is found. If full electrical power to the motor is confirmed then the motor is faulty and should be replaced.



RADIO/CAN REMOTE CONTROL SYSTEM
 INSTALATION AND OPERATION MANUAL

STEP I

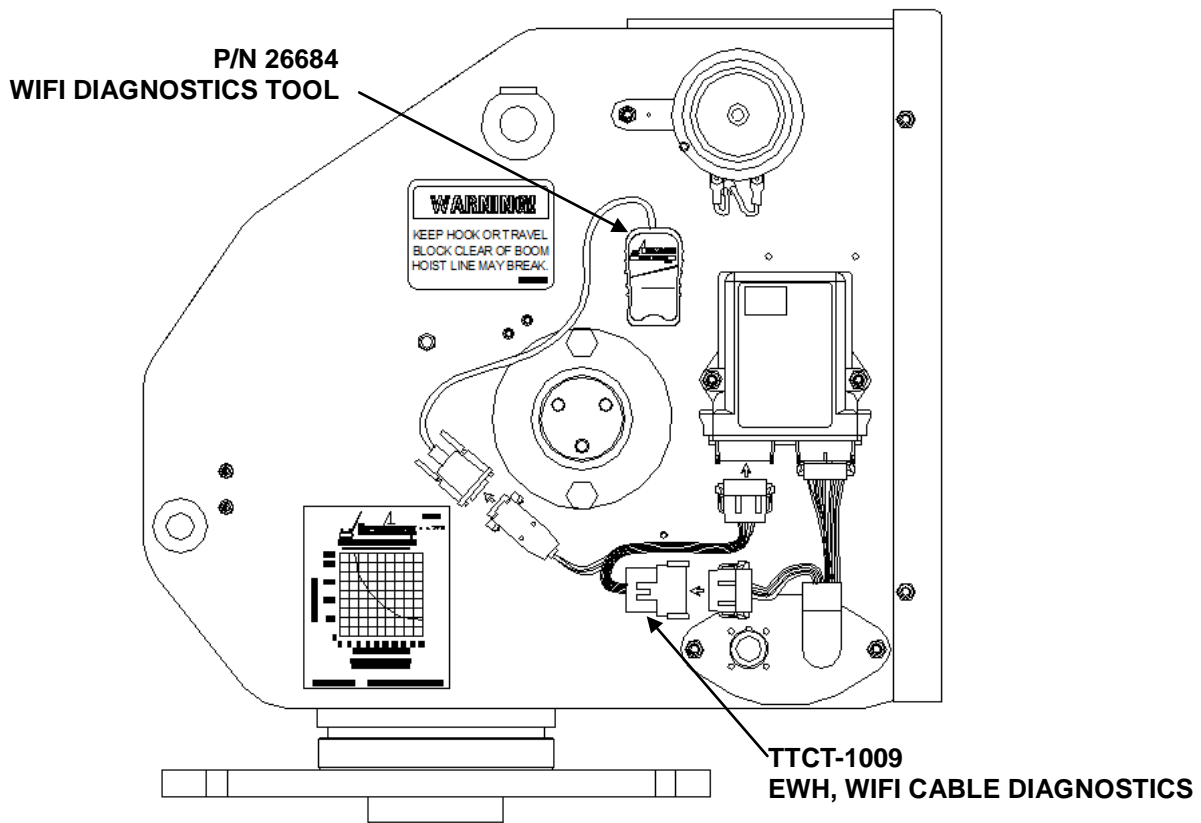
TRANSMITTER AND RECIVER SYNCRONIZATION (SEE P/N 26946)

1. WITH CRANE POWER ON
2. TURN THE TRANSMITTER AND RECEIVER OFF
3. PRESS AND HOLD **BOOM UP** AND **EXTEND IN** SWITCH
4. WHILE HOLDING SWITCHES, RELEASE THE **E-STOP**
4. RELEASE THE SWITCHES. LEDS SHOULD BLINK AT THIS POINT
5. APPLY POWER TO RECIEVER. GREEN LED SHOULD GO FROM STEADY TO RAPID BLINKING ON THE TRANSMITTER
6. TEACH COMPLETE

STEP II

CRANE SYSTEMS TROUBLESHOOTING USING DIAGNOSTICS TOOL

1. CONNECT HARNESS(TTCT-1009) AND **WIFI DIAGNOSTICS TOOL(P/N 26684)** TO CRANE AS SHOWN ON DIAGRAM BELOW
2. TURN ON POWER TO CRANE/RECEIVER
3. USE YOUR DEVICE (LAPTOP/TABLET)AND LOOK FOR **“LIFTMOOREREMORE”**
4. IF REQUIRED PASSWORD IS (23456789)
5. ONCE CONNECTION IS COMPLETE GO TO WEB BROWSER EXAMPLE:
 INTERNET EXPLORER/GOOGLE CHROME/FIREFOX/IOS SAFARI
6. ENTER **“192.168.1.1”** IN ADDRESS BAR TO ACCESS MAIN SCREEN





GUIDER

RADIO/CAN REMOTE CONTROL SYSTEM

INSTALLATION AND OPERATION MANUAL

LIFTMOORE
3A3591AJ.doc
February 11, 2015
BK

GUIDER REMOTE

INDEX

| | |
|---|-----------|
| DESCRIPTION | 2 |
| OPERATION | 3 |
| INDICATOR LEDs | 3 |
| TRANSMITTER AND RECEIVER SYNCHRONIZATION | 4 |
| OUTPUTS | 5 |
| INPUTS | 6 |
| INSTALLATION | 6 |
| BEFORE APPLYING POWER! | 7 |
| USING THE OPTIONAL GATE INTERFACE | 8 |
| DIAGNOSTIC | 9 |
| CALIBRATION | 10 |
| HISTOGRAM | 12 |
| SOFTWARE UPDATE | 13 |
| GATE CONFIGURATION | 14 |
| WIRING | 16 |
| ROUTINE MAINTENANCE | 17 |
| MAINTENANCE PRECAUTIONS | 17 |
| TROUBLESHOOTING | 18 |
| TROUBLESHOOTING CHART | 19 |
| ERROR CODES | 20 |
| TRANSMITTER PICTORIAL | 22 |
| RECEIVER PICTORIAL | 23 |
| SPECIFICATIONS | 24 |
| INSTRUCTION TO THE USER | 25 |

GUIDER REMOTE

DESCRIPTION

The GUIDER REMOTE is a state of the art microprocessor based Radio Frequency (RF) control system. It will provide the operator the ability to wirelessly operate equipment. The operator is required to follow all OSHA www.osha.gov and other applicable safety standards when operating the equipment. Do not use high power radio devices in close proximity of this product.

The remote control system consists of: the radio transmitter, main receiver module, engine receiver module, and associated optional equipment such as wiring harnesses and Gate interface tools.

The transmitter is equipped with pushbuttons and toggle switches for the various functions. It includes a port for wired control via the built-in Controller Area Network (CAN) system¹. This unit runs on 4 AA alkaline batteries when wireless mode. When in wired mode, the transmitter runs with power supplied by the CAN cable. This is useful if the battery power gets too low to operate the transmitter but continued operation is needed.

The system's radio receiver has ON/OFF outputs to accommodate the functions available on the transmitter. All outputs are current-sourcing. It also includes a port for wired (CAN) and RS-232

¹ The CAN control will only work with the CRANE module. The ENGINE module only works on RF

GUIDER REMOTE

communication for system diagnostics.

OPERATION

Power must be applied to the receiver module for the system to work.

Releasing the E-STOP until the red and green LEDs appear will turn on the transmitter. Pressing the E-STOP button will turn off the transmitter. Pressing the E-STOP will turn off all outputs as a safety feature. If the transmitter goes out of range for more than 2 seconds, all outputs will turn off as a safety feature, the e-stop output will turn off after 10 seconds.

To save battery life, the transmitter will turn off after 15 minutes if no switches are pressed. The user must press

and release the E-STOP at this point to restore transmitter operation.

INDICATOR LEDs

The transmitter has two indicators, the red BATTERY indicator and the green TRANSMIT indicator. The green TRANSMIT indicator blinks rapidly (2x/second in RADIO mode, 5x/second in CAN mode) whenever there is communication between the transmitter and the receiver. It will double-blink when no functions are used.

The red BATTERY indicator starts blinking once every second when the battery voltage is low. Replace the batteries at this point for continued operation.

If the **ATB Input** is off (ATB

GUIDER REMOTE

error is present), the red and green LEDs on the transmitter will *blink alternately* while using a switch.

If the **OVERLOAD Input** is off (overload error is present), the red and green LEDs on the transmitter will *blink together* while using a switch.

The receiver module can identify problems with the system in the form of an error code. Check the display window on the receiver to diagnose system problems. If there are multiple errors present, press F1 then HORN on the transmitter. While holding the HORN button, toggle F1 to scroll through all the errors. Then, refer to the ERROR CODE CHART in this manual for explanation of the error codes. The green LED indicator will

blink on the receiver during active operation.

TRANSMITTER AND RECEIVER SYNCHRONIZATION

Each radio remote system is designed to operate with a unique radio ID code and RF channel sequence. Each receiver is programmed to respond *only* to the transmitter with the correct ID code/RF channel sequence for which it is set. This feature allows multiple systems to work in close proximity to one another without interference.

In the event that a transmitter becomes damaged and a new one is needed, the receiver can be reprogrammed to respond to the new transmitter. To teach the ID code to the receiver, use the following procedure. ***Please**

GUIDER REMOTE

note that if this procedure is interrupted before it has completed, the system may have intermittent operation:

TEACH BY CAN CABLE

1. Plug the CAN cable into the CAN port on both the receiver and transmitter and operate a function on the transmitter until the LEDs on the front panel go from steady to flashing for at least 5 seconds. The units will be synchronized at this point

TEACH BY RF

1. Turn the transmitter and receiver off
2. Press and hold BOOM UP and EXTEND IN switches. Then release the E-STOP
3. Release the switches. LEDs should blink at this point

4. Apply power to the receiver. Green LED should go from steady to blinking on the transmitter
5. Teach complete

OUTPUTS

Each of the outputs from the receiver module is designed with built-in short circuit and overload protection. The outputs can also detect a no-load or broken wire condition.

These error conditions are evident by the alphanumeric display on the receiver module *or* the HISTOGRAM page on the optional Gate.

The ON/OFF outputs will indicate an error under no load or broken wire status if NOT activated, and will detect a short IF activated.

GUIDER REMOTE

INPUTS

Two digital inputs are available for ATB and BOOM LIMIT signals. They will function up to battery voltage levels.

One optional combination digital/analog input is available for PRESSURE SWITCH or PRESSURE TRANSDUCER signals.

When in pressure switch mode, this input will accept up to battery voltage as an input level.

When in pressure sensor mode, this input will read 4-20mA sensors as 0-5V (0.88-4.4V operational) levels. The conversion is done in the receiver. Sensors which work directly with the system are available. Adjustments to accommodate non-standard

sensors can be made using the optional Gate interface tool.

INSTALLATION

Refer to the WIRING CHART in this manual for hookup of the harness.

To install the receiver module, use the two mounting holes provided on the enclosure to attach it in a vertical manner with the connectors facing down. Please take extra caution not to damage internal components while installing. For high vibration applications, use shock absorbing mounts. It is advised to mount the unit as high as possible, keeping clear of metal obstructions around the antenna which might affect RF performance. Antenna extension cables are available to aid in this, if needed.

GUIDER REMOTE

The main power to the receiver should be connected through a switched, fused line capable of a minimum of 20 amps. For best results, connect power (+) to the receiver via an auxiliary terminal of the ignition switch, PTO switch, or ignition relay. Be sure that the ground (-) is connected securely to the chassis or battery with a star washer which digs into the base metal to insure good contact.

All connections must be properly insulated to protect against shorts.

Seal all connections with a non-conductive silicone grease to prevent corrosion.

BEFORE APPLYING POWER!

- Check power and ground for proper polarity.
- Check the wiring harness for possible shorts before connecting to output devices (i.e., valves and relays) by checking each mating pin terminal.
- Verify that the transmitter batteries are fresh. Alkaline batteries are recommended.
- Read the rest of this manual.

GUIDER REMOTE

SYSTEM TROUBLESHOOTING USING OPTIONAL GATE:

The GATE connects to the receiver/controller thru the RS232 diagnostic port.

Note: To prevent electrical shorts and damage turn Receiver power off. Plug gate to the receiver then turn power on to the receiver.

The GATE creates a Wi-Fi access point which allows you to connect to any device with Wi-Fi and web browser such as smart phones, pads or personal computers. It supports Google Chrome, Internet Explorer, Firefox and IOS Safari and allows user to configure, diagnose and troubleshoot the system. Note: the gate application software works with the

3B1063B and 3A3593A receiver.



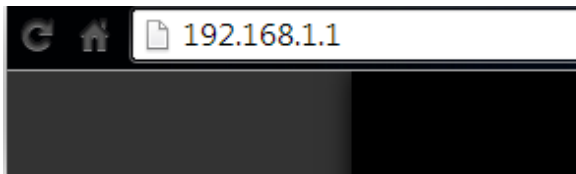
Gate Diagnostic Tool

ACCESSING THE CONTROL PANEL

1. Turn off power to the receiver.
2. Plug in the GATE to the receiver.
3. Turn on the power to the receiver. The power LED on the GATE will turn on at this point

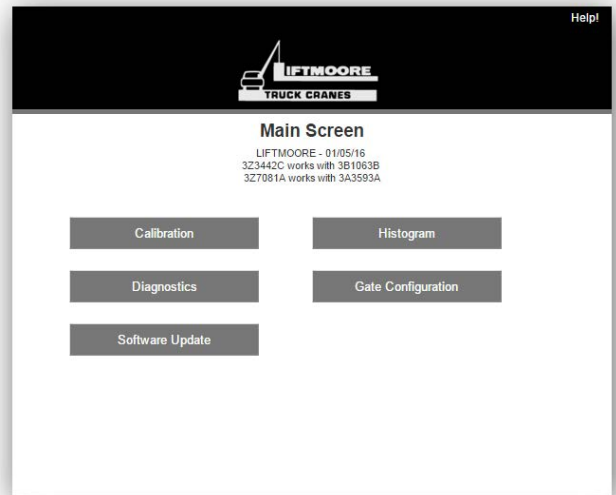
GUIDER REMOTE

4. Use your device and look for the available WiFi networks. A network under the name of "LIFTMOOREREMOTE" should be available at this point. Connect to the network, no password is required.
5. Once the connection is established, open a web browser on your device. The Firefox browser is recommended.
6. Enter the address `http://192.168.1.1` in the address bar



Address Bar

7. The following options are available from the main screen.



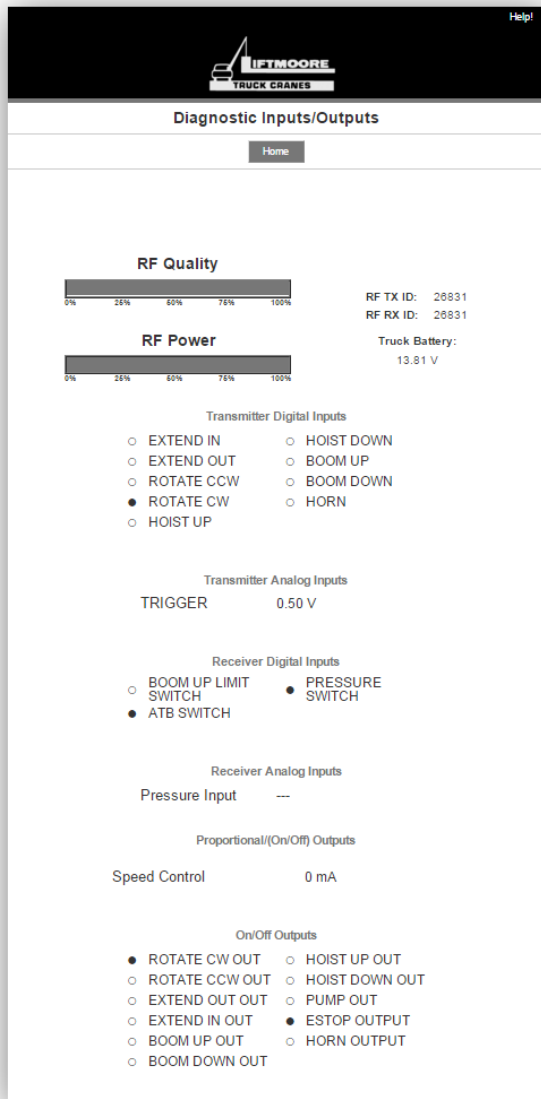
Main Screen

DIAGNOSTICS

Tap the Diagnostic button to see the diagnostic screens, which shows the present state of remote communications, and system I/O.

When the round circle next to a label is dark, the corresponding ON/OFF input or output is sensed to be active or ON.

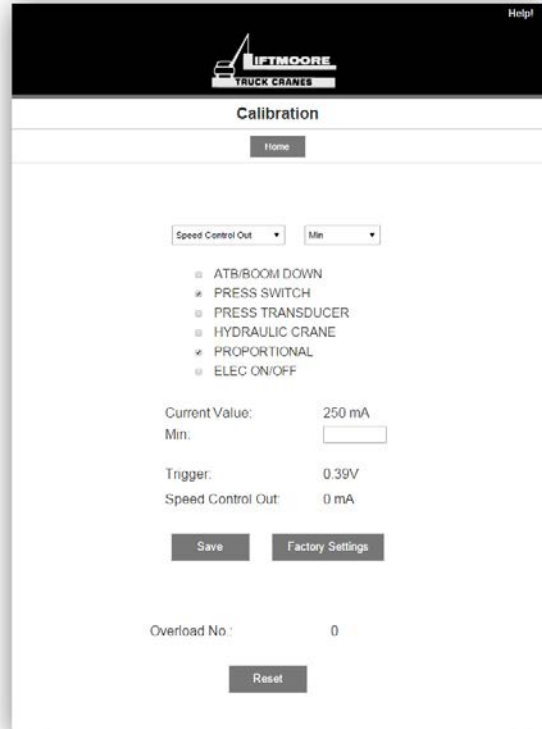
GUIDER REMOTE



Diagnostics

CALIBRATION

To change the configuration of the unit, tap the Calibration icon.



Calibration

The password to gain access to the calibration screens is 1262.

To adjust the Speed Control Proportional output's configuration, use the following procedure:

1. Select the parameter of the speed control output to change from the drop-

GUIDER REMOTE

down menu. Make sure PROPORTIONAL box below is checked.

- a. Min – Minimum amount of current to valve in mA
 - b. Max – Maximum amount of current to valve in mA
 - c. Ramp Up – Time in seconds to go from Min to Max current
 - d. Ramp Down – Time in seconds to go from Max current to no current
 - e. Frequency – Dither frequency to valves in Hz (Change affects all outputs)
2. Enter the new value in the box above the Factory Setting button
 3. Tap the Save button to send the setting to memory

The lines to the right of the parameter indicate the present value of the output (if active), and trigger voltage on the transmitter

A series of checkboxes on the calibration page will change system functionality as follows:

1. ATB/BOOM DOWN – When the ATB/BOOM DN override is checked (enabled) and the ATB SWITCH INPUT is off, the HOIST UP and EXTEND OUT outputs are disabled. When the ATB/BOOM DN override function is unchecked, the HOIST UP, EXTEND OUT, and BOOM DOWN outputs are disabled when the ATB SWITCH input is off (input should be *ON* under normal

GUIDER REMOTE

conditions). The factory setting for the LS disables the ATB SWITCH override.

2. PRESS SWITCH –

Checking this box allows the OVERLOAD safety to be functional with a digital input (battery voltage). When the system senses the OVERLOAD input is off, the HOIST UP, EXTEND OUT, and BOOM DOWN functions are disabled (input should be *ON* under normal conditions). Note: either PRESS SWITCH or PRESS TRANSDUCER must be checked.

3. PRESS TRANSDUCER –

Checking this box disables PRESS SWITCH and allows the OVERLOAD safety to be

functional with an analog input (0-5VDC). Make sure to press SAVE after checking this box. When the system senses the OVERLOAD input is beyond the set value, the HOIST UP, EXTEND OUT, and BOOM DOWN functions are disabled. When this checkbox is selected, it will invoke a drop-down list with the following sensor calibration parameters:

a. Max Psi – The maximum pressure that the sensor will read (default is 5000 PSI)

b. OVL Psi – The pressure at and above which senses an OVERLOAD condition (default is 3000 PSI)

GUIDER REMOTE

- c. Min Out – The minimum voltage the receiver will see from the sensor (default is 0.88V). Equivalent to 0 PSI
- d. Max Out – The maximum voltage the receiver will see from the sensor (default is 4.4V) Equivalent to Max Psi
4. HYDRAULIC CRANE – Checking this box enables the pump output to turn ON with the HOIST UP and HOIST DOWN outputs. Make sure to press SAVE after checking this box. The default is unchecked where the pump output will remain off when the HOIST UP or DOWN outputs are on. This

feature is only available on the 3A3593A receiver.

5. ELEC ON/OFF – To change speed control output from proportional to on/off mode, check the Elec. ON/OFF box.

The number of times an overload condition is seen will be displayed below the Factory Settings button. Tap the Reset button to clear.

Tap the Factory Setting button to return all outputs to standard values. Tap Save to send these settings to memory. Tap Home to quit configuration and return to the main menu.

HISTOGRAM

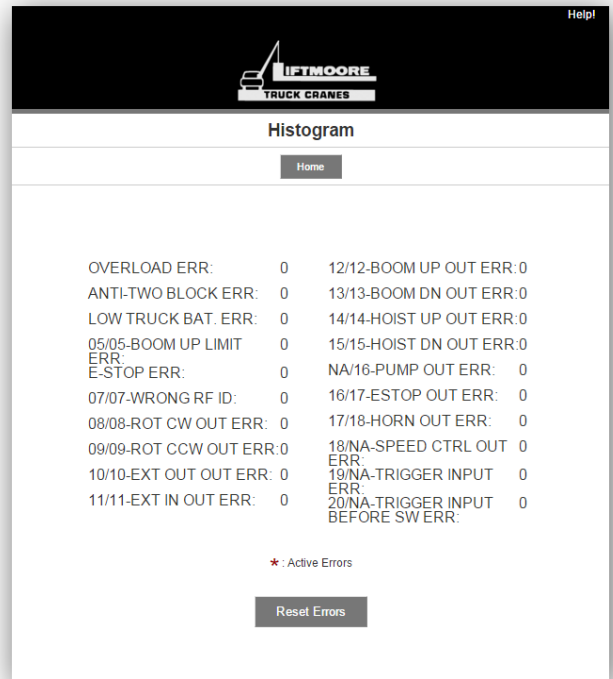
Tap the Histogram icon to see a set of screens that show which error codes are active

GUIDER REMOTE

and how many times the specific error code has been active.

This feature can be used to troubleshoot machine wiring and other problems. Tapping the `Reset` button resets the error code counts. The password to reset error codes is 1713. Tap the `Home` button to return to the main menu.

Note: the GATE is not a precision measurement instrument. There may be delays.



Histogram Page

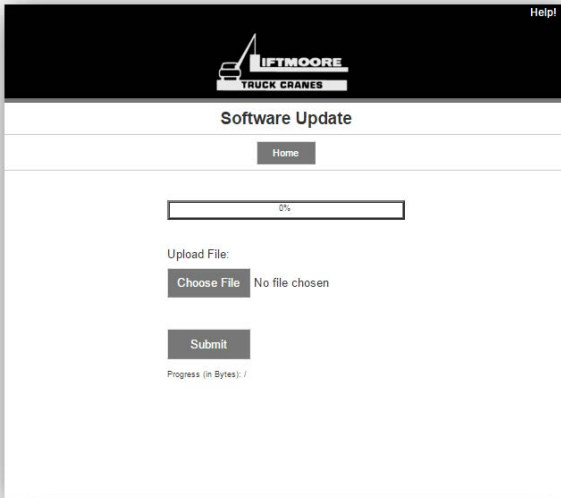
SOFTWARE UPDATE

Use the `Choose File` button to select new software on your device with which to program the receiver. Software will be provided in the .kar format. Once the file is selected, press the `SUBMIT` button to upload the file.

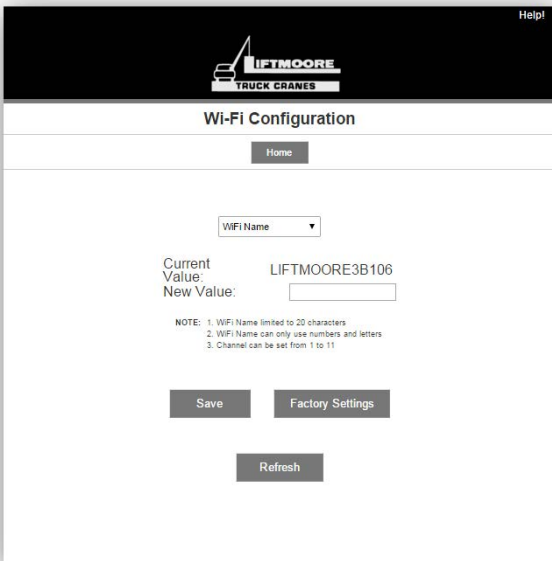
Note: This feature does not work on Apple mobile or tablet products.

GUIDER REMOTE

Note: Do not turn the receiver or the GATE off during the upload process.



*Software Update
Page*



Gate Configuration Page

GATE CONFIGURATION

This page allows you to change the name (SSID) of the WiFi network you are connecting to. Factory settings will rename the Wi-Fi to its original name.

Note: After changing the name, the user needs to disconnect and reconnect to the new WiFi network.

GUIDER REMOTE

WIRING

P1 - DEUTSCH DTM13-12PA

| PIN | DESCRIPTION |
|-----|-----------------------------|
| 1 | GROUND |
| 2 | CANH |
| 3 | CANL |
| 4 | RS-232 TX |
| 5 | RS-232 RX |
| 6 | BOOM PRESSURE SWITCH INPUT |
| 7 | ANTI-TWO-BLOCK SWITCH INPUT |
| 8 | N/C |
| 9 | N/C |
| 10 | N/C |
| 11 | HORN OUTPUT |
| 12 | POWER (9-30V) |

P2 - DEUTSCH DTM13-12PA

| PIN | DESCRIPTION |
|-----|----------------------------|
| 1 | ROTATION CW OUTPUT |
| 2 | ROTATION CCW OUTPUT |
| 3 | EXTEND OUT OUTPUT |
| 4 | EXTEND IN OUTPUT |
| 5 | BOOM UP OUTPUT |
| 6 | BOOM DOWN OUTPUT |
| 7 | HOIST UP OUTPUT |
| 8 | HOIST DOWN OUTPUT |
| 9 | PUMP OUTPUT |
| 10 | E-STOP OUTPUT |
| 11 | N/C |
| 12 | BOOM UP LIMIT SWITCH INPUT |

TRANSMITTER PORT

- A POWER
- B GROUND
- C CAN HIGH
- D CAN LOW
- E NO CONNECTION

GUIDER REMOTE

ROUTINE MAINTENANCE

Clean transmitter regularly with a damp cloth and mild detergent.

Inspect electrical wiring for wear points or other damage. Repair as required.

Inspect all connections for looseness or corrosion. Tighten and/or "seal" as necessary.

MAINTENANCE PRECAUTIONS

When performing any inspection or maintenance work on the remote system, always exercise care to prevent injury to yourself and others or damage to the equipment. The following are general precautions, which should be closely followed in carrying out any maintenance

work.

Do not have hydraulic power available to the valves when performing electrical tests.

Never operate or test any function if any person is in an area where they could be hurt by being hit or squeezed by the hydraulic equipment.

Turn power off before connecting or disconnecting valve coils or other electrical loads.

TROUBLESHOOTING

This next section provides basic operator level troubleshooting for the GUIDER REMOTE system. If, after following these instructions, the system still does not function, contact your sales representative for further instructions or servicing.

GUIDER REMOTE

TROUBLESHOOTING CHART

| <i>PROBLEM</i> | <i>SOLUTION</i> |
|----------------------------------|--|
| No functions work | <ol style="list-style-type: none">1. Verify transmitter power source – battery, CAN cable, external supply, etc2. Verify that receiver control module power source is present at its input connector3. Check for proper system ground4. Check the receiver or control module LED status display for functionality or errors5. Check the hydraulic system |
| Certain functions do not work | <ol style="list-style-type: none">1. Check the wiring and connections from the receiver control module to the control module to the valve coil for the particular function that does not work2. Check the receiver control module LED status display for possible fault or error indication3. Check the hydraulic system4. Check the electrical system |
| Functions operate intermittently | <ol style="list-style-type: none">1. Check for loose connections at the valve coil2. Check the receiver control module LED status display for functionality or errors3. Check the receiver antenna for damage and possible obstructions4. Check the hydraulic system |

GUIDER REMOTE

ERROR CODES

| ERROR | PROBABLE CAUSE |
|-------|----------------------------------|
| EC01 | RF COMMUNICATION ERROR |
| OVL | OVERLOAD CONDITION |
| ATB | ANTI-TWO BLOCK (ATB SWITCH OFF) |
| RLV | LOW INPUT VOLTAGE TO RECEIVER |
| EC05 | BOOM UP LIMIT (BOOM UP LIMIT ON) |
| ESTP | E-STOP CONDITION |
| EC07 | WRONG RF ID |
| EC08 | ROTATE CW OUTPUT ERROR |
| EC09 | ROTATE CCW OUTPUT ERROR |
| EC10 | EXTEND OUT OUTPUT ERROR |
| EC11 | EXTEND IN OUTPUT ERROR |
| EC12 | BOOM UP OUTPUT ERROR |
| EC13 | BOOM DOWN OUTPUT ERROR |
| EC14 | HOIST UP OUTPUT ERROR |
| EC15 | HOIST DOWN OUTPUT ERROR |
| EC16 | PUMP OUTPUT ERROR |
| EC17 | E-STOP OUTPUT ERROR |
| EC18 | HORN OUTPUT ERROR |

Error code explanations:

| | |
|----------------|---|
| EC01 | Transmitter is off Transmitter went to sleep mode Interference in RF communication link |
| OVL | Overload condition based on Gate setting is present |
| ATB | Anti-Two Block condition present |
| RLV | System voltage is below 11V (12V system) |
| EC05 | Boom Limit input active |
| ESTP | E-STOP button is pressed on the transmitter |
| EC07 | Transmitter and receiver are not synchronized |
| EC08-18 | Short or open load/coil on output |

GUIDER REMOTE

PARTS LIST

| <i>PART NUMBER</i> | <i>DESCRIPTION</i> |
|--------------------|-------------------------------|
| 3A3592A | RADIO TRANSMITTER |
| 3A3593A | RADIO RECEIVER |
| 3A3599A | OPTIONAL GATE DIAGNOSTIC TOOL |

There are no user-serviceable parts inside the transmitter or the receiver. Return the units for service.

Note: For operation with negative ground systems only.

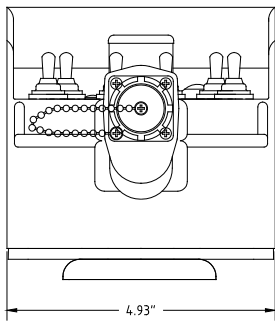
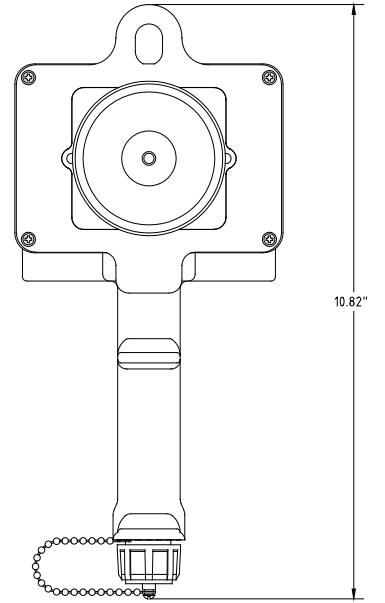
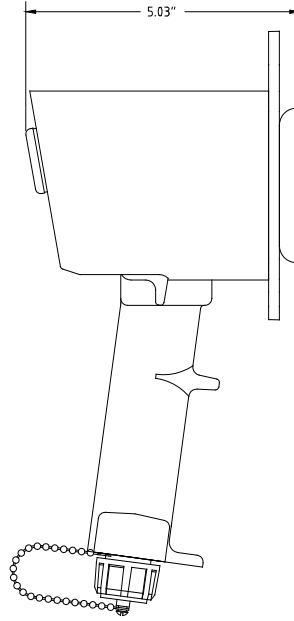
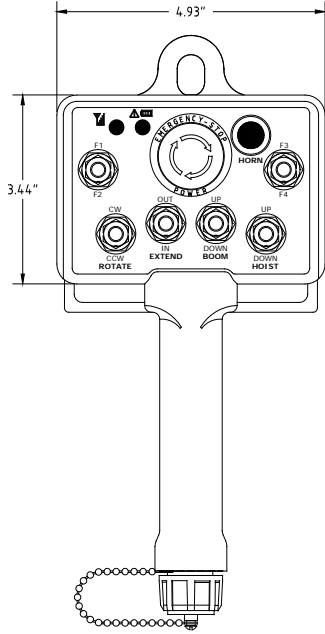
WARNING:

The GUIDER REMOTE must be operated in compliance with all applicable safety regulations, rules, and practices. Failure to follow required safety practices may result in death or serious injury.

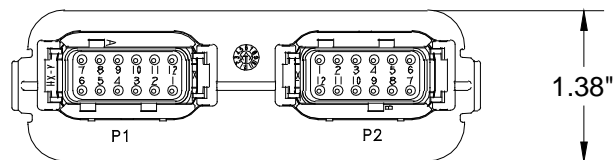
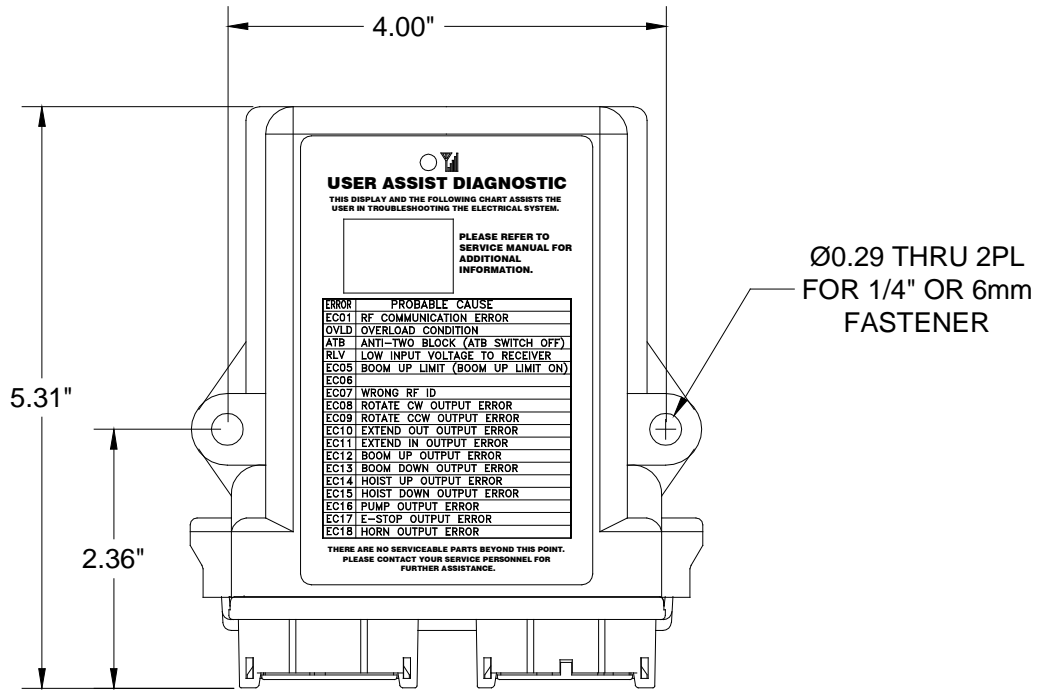
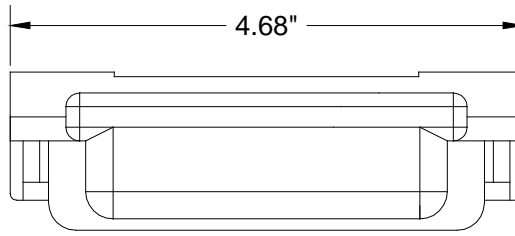
The information, specifications, and illustrations in this manual are those in effect at the time of printing. We reserve the right to change specifications or design at any time without notice.

GUIDER REMOTE

TRANSMITTER PICTORIAL



GUIDER REMOTE RECEIVER PICTORIAL



GUIDER REMOTE

SPECIFICATIONS

TRANSMITTER

| | |
|---|-------------------------------------|
| Equipment Class..... | Part 15 Spread Spectrum Transmitter |
| FCC ID | P4U-VRTS |
| ICC (Industry Canada Certification) ID | 4534A-VRTS |
| Power supply | 4xAA Alkaline Battery |
| Temperature range | -18°C to +55°C |
| RF Frequency | 902-928 MHz |
| RF Transmit power (EIRP)..... | 33 mW |
| LCD display operating range (if equipped) | -20°C to +70°C |
| Vibration | 3G to 200Hz |
| Shock..... | 50G |
| NEMA | 12 |

RECEIVER

| | |
|--------------------------------------|---|
| Power supply voltage | 9-30VDC |
| Operating temperature..... | -40°C to +85°C |
| Storage temperature..... | -40°C to +100°C |
| Outputs..... | 5.0A max each, sourcing, 20A system max |
| Digital Inputs (when equipped) | supply voltage |
| Analog Inputs (when equipped) | 0-5VDC/4-20mA |
| RF Frequency | 902-928 MHz |
| Vibration | 3G to 200Hz |
| Shock..... | 100G |
| NEMA | 4X |

GUIDER REMOTE

INSTRUCTION TO THE USER

This equipment has been tested and found to comply with the limits for a class B digital device, pursuant to part 15 of the FCC Rules. These limits are designed to provide reasonable protection against harmful interference in a residential installation. This equipment generates radio frequency energy and if not installed and used in accordance with the instructions, may cause harmful interference to radio communications. However, there is no guarantee that interference will not occur in a particular installation. If this equipment does cause harmful interference to radio or television reception, which can be determined by turning the equipment off and on, the user is encouraged to try to correct the interference by one or more of the following measures:

- * Reorient or relocate the receiving antenna.
- * Increase the separation between the equipment and receiver.
- * Connect the equipment into an outlet on a circuit different from that to which the receiver is connected.
- * Consult the dealer or an experienced radio/TV technician for help.

This equipment has been certified to comply with the limits for a class B computing device, pursuant to FCC Rules. In order to maintain compliance with FCC regulations, shielded cables must be used with this equipment. Operation with non-approved equipment or unshielded cables is likely to result in interference to radio and TV reception. The user is cautioned that changes and modifications made to the equipment without the approval of manufacturer could void the user's authority to operate this equipment.

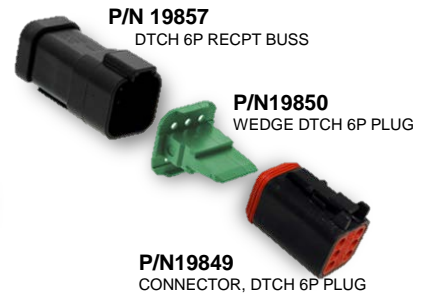
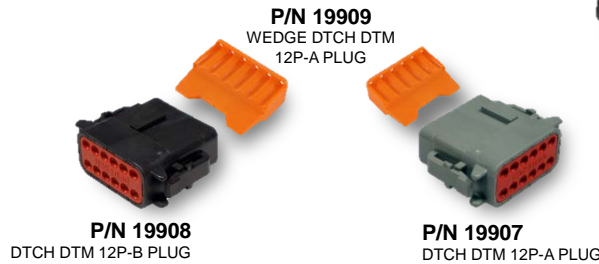
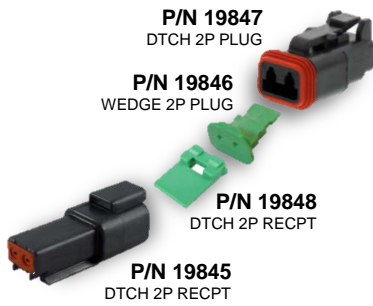
DEUTSCH CONNECTIONS & PINS



FEMALE'S



MALE'S



F2435-0
06/16/16
I:FORMS

HOUSTON, TEXAS
FAX: (800) 824-5559 (USA & Canada)
FAX: (713) 688-6324
PHONE: (713) 688-5533
www.liftmoore.com

SECTION 3 CRANE SPECIFICATIONS

MODEL 6036 CRANE

MOMENT RATING 36 000 FT-LBS

MAX SINGLE LINE LOAD 3 000 LBS

MAX DOUBLE LINE LOAD 6 000 LBS

LIFTING CAPACITIES AT VARIOUS LOAD RADII

| LOAD RADIUS (FT) | CAPACITY (LBS) |
|---------------------|-------------------|
| <6 | 6000 |
| 6 | 6000 |
| 8 | 4500 |
| 10 | 3600 |
| 12 | 3000 |
| 14 | 2571 |
| 16 | 2250 |
| 18 | 2000 |
| 20 | 1800 |
| 22 | 1636 |

POWERED FUNCTIONS AND EXPECTED TIMES

| | | | |
|----------------|------------|--------------|--------------|
| WINCH | UP: 2.9 s | DOWN: 3.1 s | 1 REVOLUTION |
| BOOM ELEVATION | UP: 25.5 s | DOWN: 34.4 s | |
| BOOM EXTENSION | OUT: 41 s | IN: 33 s | |
| ROTATION | 90° | 15.1 s | |

ELECTRICAL REQUIREMENTS

| | |
|-----------------|---------|
| VOLTAGE | 12 VDC |
| CIRCUIT BREAKER | 150 AMP |
| FUSE | 15 AMP |

NOTE: FUNCTION TIMES ARE BASED ON THESE INPUT VALUES



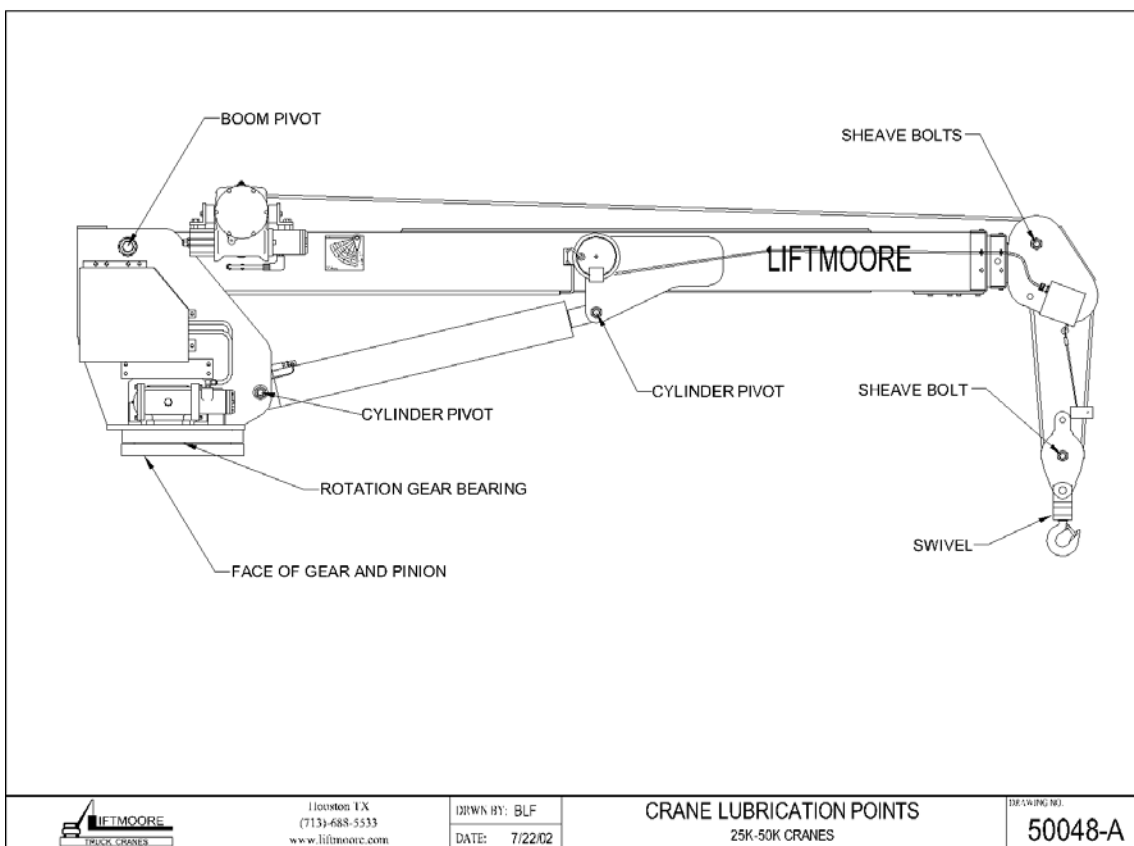
F1675-A
9/21/15

HOUSTON, TEXAS
FAX: (800) 824-5559 (USA & Canada)
FAX: (713) 688-6324
PHONE: (713) 688-5533
www.liftmoore.com

| PERIODIC MAINTENANCE SCHEDULE | | |
|--------------------------------------|--|--------------------------------|
| MODEL 6036 CRANES | | |
| BOLTS | | |
| MOUNTING BOLTS | 7/8-9 GRADE 8 TORQUE 600 FT-LBS (DRY) | EVERY 4 MONTHS |
| BEARING BOLTS | 5/8-11 GRADE 8 TORQUE 220 FT-LBS (DRY) | EVERY 4 MONTHS |
| LUBRICATION | | |
| GREASE FITTINGS | SEE DRAWING 50048 | EVERY OTHER WEEK |
| HYDRAULIC FLUID | STANDARD Chevron AW Hydraulic Oil 46 or equivalent SAE 15 weight oil COLD WEATHER AW 32 or equivalent SAE 10 weight oil | CHECK DAILY, FILL AS NEEDED |
| ROTATION GEARBOX | Sunco Prestige 740 EP or NLGI Grade 0 | EVERY MONTH |
| BEARING (ZERK AND TEETH) | Oil Center Research PM 600 Military grease or equivalent Benton Based Grease NLGI Grade 2 | EVERY 6 HOURS OF OPERATION |



CRANE LUBRICATION POINTS



F1675-A
9/21/15

HOUSTON, TEXAS
 FAX: (800) 824-5559 (USA & Canada)
 FAX: (713) 688-6324
 PHONE: (713) 688-5533
 www.liftmoore.com

THIS PAGE INTENTIONALLY LEFT BLANK



F1675-A
9/21/15

HOUSTON, TEXAS
FAX: (800) 824-5559 (USA & Canada)
FAX: (713) 688-6324
PHONE: (713) 688-5533
www.liftmoore.com

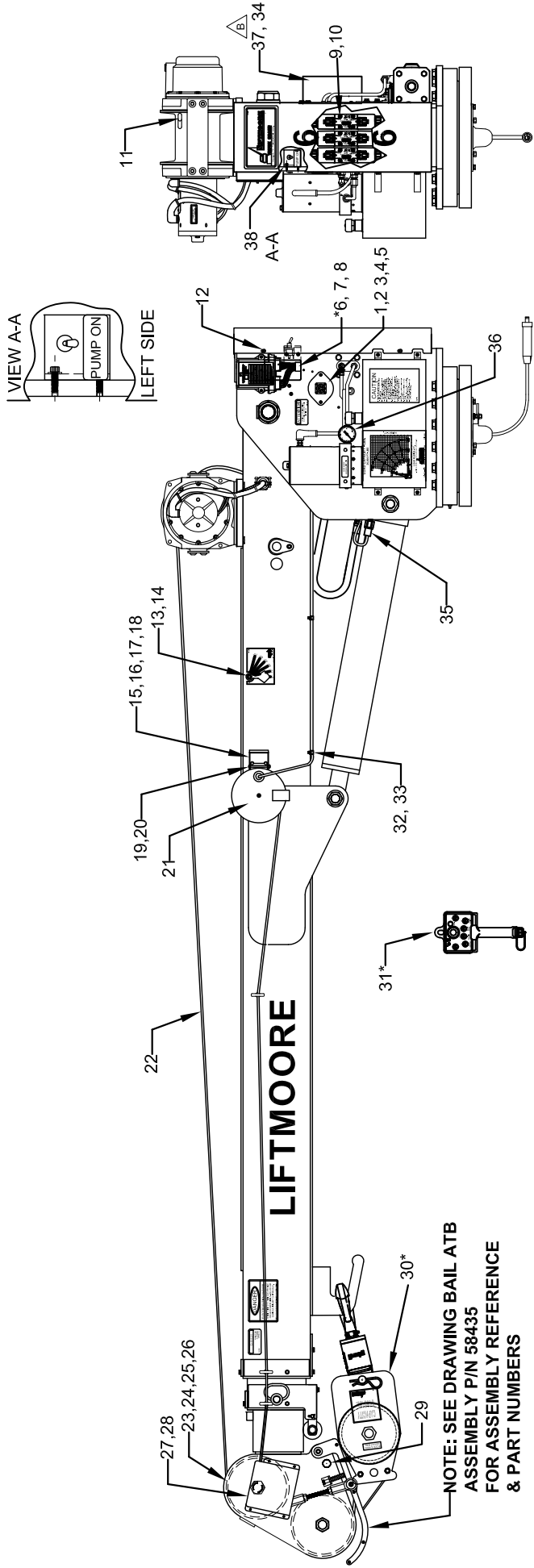
LIST FOR BOX, CRANE PARTS 6036

Items with * have detailed DWG's.

P/N 28289 - BOX, CRANE PARTS 6036WX-20 WI

- 1) P/N 28288 - MANUAL, CRANE 6036WX-20 RB3 1pc
- 2) *P/N 28266 - BLOCK, TRAV ASSY 6.0K lbs/4.5..... 1pc
- 3) P/N 33203 - PIN, HITCH 0.75 X 6.00 W/H-PIN 1pc
- 4) P/N 16878 - BREAKER, CIRCUIT 150 AMP..... 2pcs
- 5) P/N 24846- BREAKER, CIRCUIT 200 AMP..... 1pc
- 6) P/N 16923 - TERMINAL, LUG #1/0 0.25 DIA 4pcs
- 7) P/N 30766 - SWITCH, DISCONNECT 1pc
- 8) P/N 17010 - BRACKET, SWITCH MNT. ELE. CRN 1pc
- 9) P/N 17062 - TERMINAL, LUG #1/0 GA 0.37 DIA..... 2pcs
- 10) P/N 31837 - WIRE, BATTERY 1/0 X 25' W/MCN. 1pc
- 11) P/N 15737 - TERMINAL, RING 1/0 GA 0.31 DIA 1pc
- 12) P/N 30728 - WIRE, GROUND #4 X 3' LONG 1pc
- 13) P/N MH*01143 - CAP, BREATHER 3/4 NPT-MONARCH..... 1pc
- 14) P/N 22434 - INSTALLATION INTS. 5000 & 6036 1pc
- 15) P/N 18600 - PLATE, CRANE-TRUCK STABILITY CHART 1pc
- 16) P/N 25049 - DECAL, LOAD CAPACITY 36,000 1pc
- 17) P/N 23144 - LEVEL AND TAPE ASSEMBLY..... 1pc





ITEMS WITH * HAVE DETAIL DRAWINGS

| # | PN | DESCRIPTION | QTY | # | PN | DESCRIPTION | QTY | # | PN | DESCRIPTION | QTY |
|----|-------|-----------------------------------|-----|----|-------|--------------------------------|-----|--|-------|--------------------------------|-----|
| 1 | 27859 | EMW, DTCH ELEC 60X/50X KTG WI | 1 | 17 | 31110 | WASHER, FLAT 0.25 GR5 PLATED | 2 | 33 | 28126 | SCREW, SOC HD 0.25-20 X 0.25SS | 3 |
| 2 | 30810 | SCREW, HHC 0.25-20 X 1.00 GR5 | 1 | 18 | 30457 | SCREW, HHC 0.25-20 X 0.75 GR5 | 2 | 34 | 26582 | SCREW, SOC HD 0.25-20 X 0.37SS | 6 |
| 3 | 30457 | SCREW, HHC 0.25-20 X 0.75 GR5 | 1 | 19 | 33410 | SCREW, MH RD 10-24 X 3.00 | 1 | 35 | 20415 | SWITCH, PRES ASSY 2050PSI DTCH | 1 |
| 4 | 30833 | NUT, HEX NYLOC 0.25-20 GR2 PLATED | 1 | 20 | 33409 | NUT, HEX NYLOC 10-24 GR2 | 1 | 36 | 23188 | PRESSURE GAUGE, 0-3000 PSI | 1 |
| 5 | 30989 | SCREW, HWHSMS #8 X 0.50 | 1 | 21 | 20407 | REEL, CORD 20 FT ASSY DTCH | 1 | 37 | 28175 | COVER, 6036 CONT. & SOLENOIDS | 1 |
| 6 | 26683 | CONTROL, FM REC X KTG | 1 | 22 | 22986 | ROPE, WIRE 0.31 X 100W/TWB&LP | 1 | 38 | 27151 | SWITCH, PUMP-ON ASSY | 1 |
| 7 | 33376 | SCREW, SOC HD 10-24 X 0.75 SS | 2 | 23 | 22979 | SHEAVE ASSY 6.58PD X 0.31 ROPE | 2 | NOT SHOWN: 31948 CLIP HAIRPIN 0.187-1.00 19847 CONNECTOR, DTCH 2P PLUG 19845 CONNECTOR, DTCH 2P RECPT 19846 WEDGE, DEUTSCH 2P PLUG 19848 WEDGE, DEUTSCH 2P RECPT 32060 DECAL KIT 6036X-20 24186 PLATE, SERIAL 3660/6036 | | | |
| 8 | 33409 | NUT, HEX NYLOC 10-24 GR2 | 2 | 24 | 34468 | SCREW, SHEAVE SINGLE 1-8 3.25 | 2 | | | | |
| 9 | 24432 | VALVE ASSY 4W/3P/12V/OC DTCH | 3 | 25 | 31258 | WASHER, FLAT 1.00 SAE GRADE 8 | 2 | | | | |
| 10 | 30956 | SCREW, SOC HD 10-24 X 2.00 | 12 | 26 | 30838 | NUT, HEX NYLOC 1.00-8 GRADE 5 | 2 | | | | |
| 11 | 70041 | NUT, HEX 0.44-20 GR2 | 1 | 27 | 27192 | COVER, BAIL ATB | 2 | | | | |
| 12 | 32589 | SCREW, HWHSMS 0.25-20 X 0.75 | 4 | 28 | 26909 | SCREW, SOC HD 10-24 X 0.37 SS | 1 | | | | |
| 13 | 31017 | SCREW, SHOULDER 0.31-18 X 0.75 | 2 | 29 | 32658 | PIN, CLEVIS 0.81-3.50 PLATED | 4 | | | | |
| 14 | 22394 | PENDULUM, LOAD RADIUS DIA. HD | 2 | 30 | 28266 | BLOCK, TRAV ASSY 6.0K lbs/4.5D | 1 | | | | |
| 15 | 70012 | BRACKET, CORD REEL | 1 | 31 | 26682 | CONTROL, FM TRANS X DRA KTG | 1 | | | | |
| 15 | 30833 | NUT, HEX NYLOC 0.25-20 GR2 | 2 | 32 | 24960 | CLAMP, HOSE SUPPORT 0.25 ID | 3 | | | | |

Houston TX
(713)-688-5533
www.liftmoore.com

DRWN BY: AT

DATE: 11/28/16

DRAWING NO.
28287

REV.: C

DATE: 10/4/18

CRANE ASSEMBLY 6036X-20 WI

BAIL ATB, FM TRANS / REC, VOLTMETER, HORN

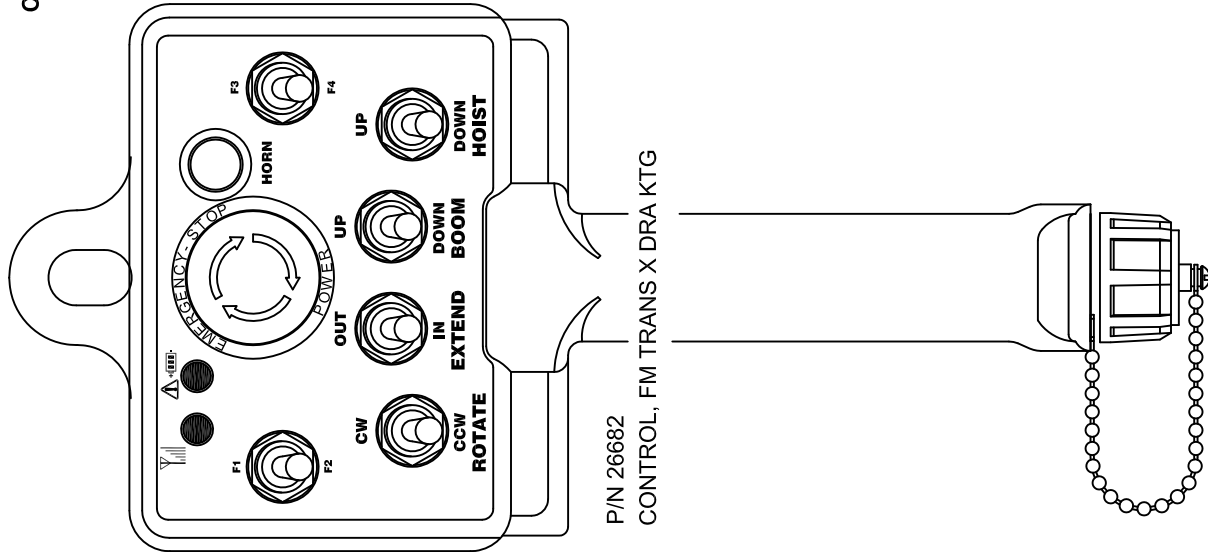
ADDED SHORTER SCREWS FOR CORDREEL WIRE CLAMPS

COMPLETE PFORM122: Function Check list for Pendant on Test Box

TRANSMITTER AND RECEIVERS SYNCHRONIZATION

1. TURN THE TRANSMITTER AND RECEIVER OFF
2. PRESS AND HOLD BOOM UP AND EXTEND IN SWITCHES,
3. WILE HOLDING SWITCHES, RELEASE THE E-STOP
4. RELEASE THE SWITCHES. LED'S SHOULD BE LINK AT THIS POINT
5. APPLY POWER TO THE RECEIVER. GREEN LED SHOULD GO FROM STEADY TO BLINKING ON THE TRANSMITTER
6. TEACH COMPLETE

TRANSMITTER AND RECEIVERS ARE PROGRAMMED TO FORM A MATCHED SET SO THAT A TRANSMITTER ONLY OPERATES ONE CRANE. IF EITHER PART IS REPLACED, THE RECEIVER MUST BE PROGRAMMED TO THE TRANSMITTER USING A TEMPORARY WIRING HARNESS AVAILABLE FROM LIFTMOORE.



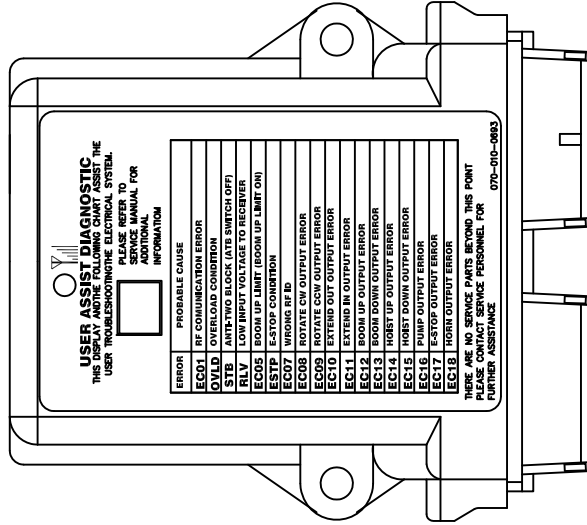
P/N 26682
CONTROL, FM TRANS X DRA KTG

P1:12 PIN DEUTSCH DTM13-12PA

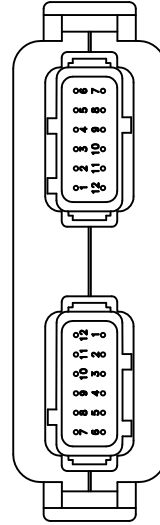
| PIN# | DESCRIPTION | COLOR |
|------|-----------------------------|---------|
| 1 | GROUND | BRN |
| 2 | CAN HIGH | WHT |
| 3 | CAN LOW | GRN |
| 4 | RS-232 TX | |
| 5 | RS-232 RX | |
| 6 | BOOM PRESSURE SWITCH INPUT | GRY |
| 7 | ANTI-TWO-BLOCK SWITCH INPUT | BLK |
| 8 | NO CONNECTION | |
| 9 | NO CONNECTION | |
| 10 | NO CONNECTION | |
| 11 | HORN OUT PUT | BLU/BLK |
| 12 | POWER (9 TO 30 VDC) | RED |

P2:12 PIN DEUTSCH DTM13-12PB

| PIN# | DESCRIPTION | COLOR |
|------|----------------------------|----------|
| 1 | ROTATION CW OUTPUT | RED |
| 2 | ROTATION CCW OUTPUT | RED/BLK |
| 3 | EXTENSION IN OUTPUT | WHT |
| 4 | EXTENSION IN OUTPUT | ORG/BLK |
| 5 | BOOM UP OUTPUT | GRN |
| 6 | BOOM DOWN OUTPUT | YEL |
| 7 | HOIST UP OUTPUT | PUR |
| 8 | HOIST DOWN OUTPUT | BLK |
| 9 | PUMNP OUTPUT | WHT/BLK |
| 10 | E-STOP OUTPUT | WHT/BUJE |
| 11 | NO CONNECTION | |
| 12 | BOOM UP LIMIT SWITCH INPUT | WHT |



P/N 26683
CONTROL, FM REC X KTG



OPTIONAL:
P/N 24510 INTERNATIONAL WALL CHARGER 110V

NOT SHOWN:
P/N 20185 WIRE, CTRL FM TEATHER 5P PLUG
P/N 20186 CAR CHARGER, FM TRANS

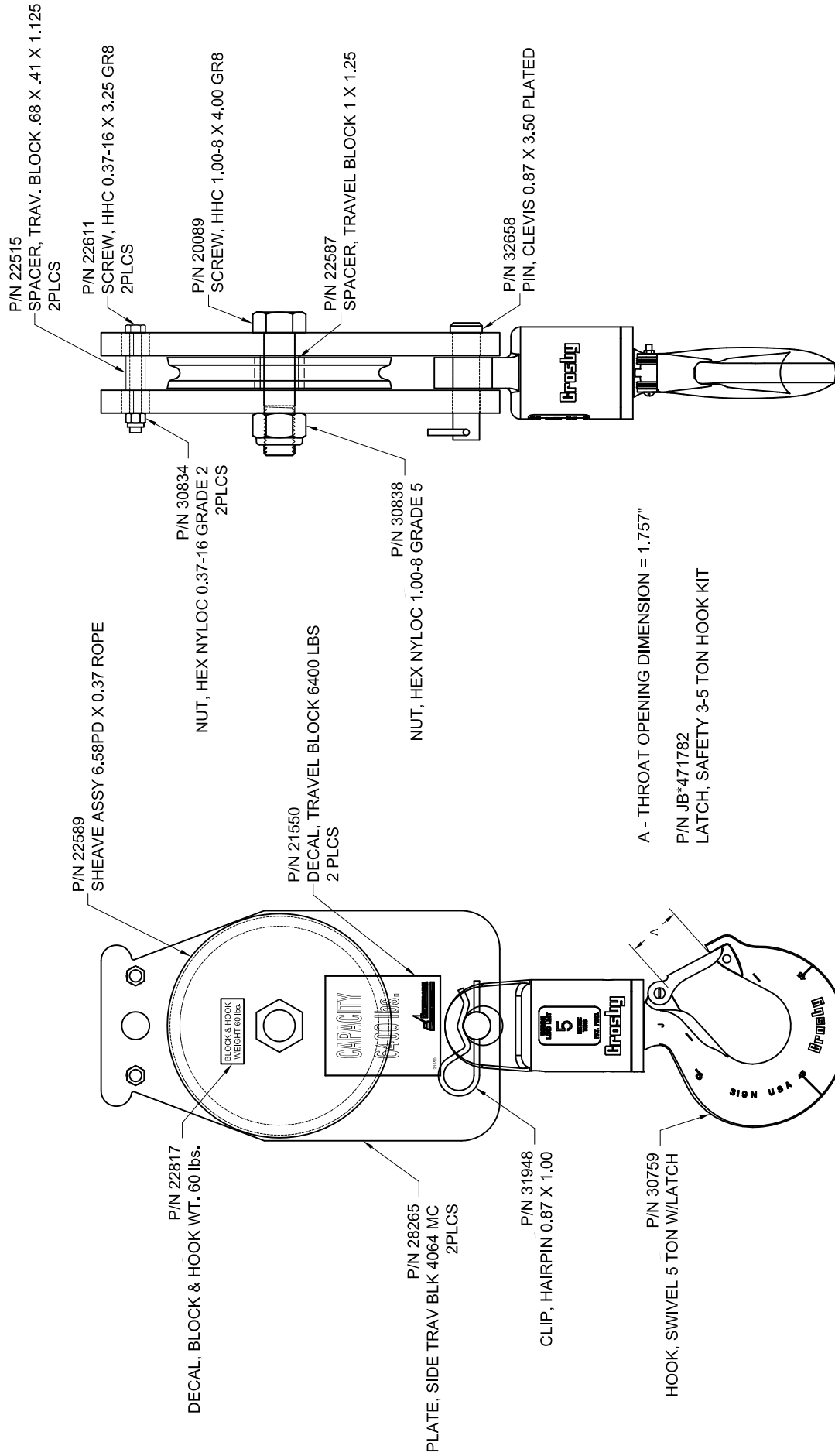
Houston TX
(713)-688-5533
www.liftmoore.com



CONTROL, FM ASSY X DRA KTG
GUIDER, HORN, E-STOP, DRA

DRAWING NO.

26946-B



A - THROAT OPENING DIMENSION = 1.757"

P/N JB*471782
LATCH, SAFETY 3-5 TON HOOK KIT

CAUTION:

NEVER USE A HOOK WHOSE THROAT OPENING HAS BEEN INCREASED, OR WHOSE TIP HAS BEEN BENT MORE THAN 10 DEGREES OUT OF PLANE FROM THE HOOK BODY, OR IS IN ANY WAY DISTORTED OR BENT.

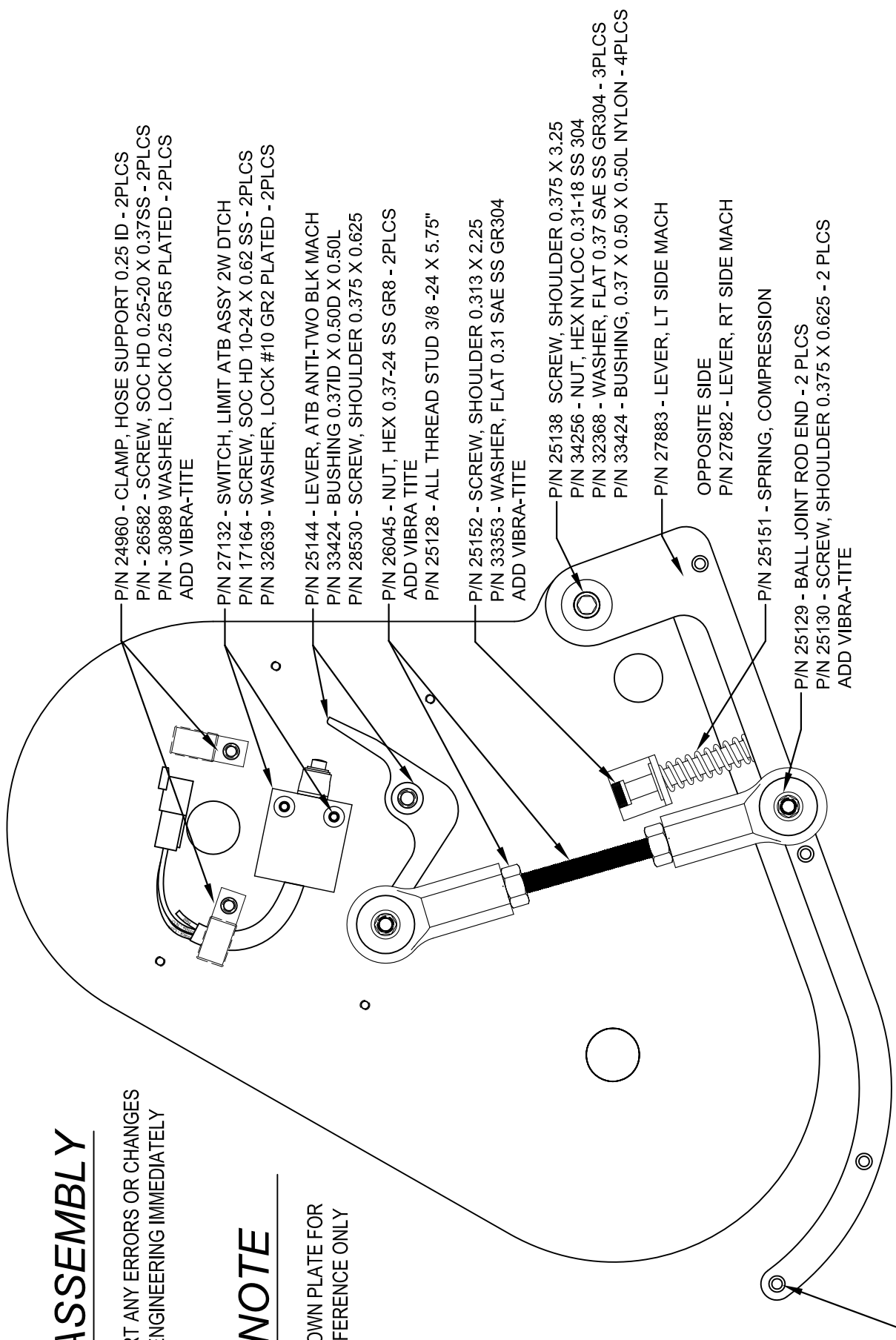
| | | | | |
|--|---|--------------------------------|--|-------------------------------|
| | Houston TX (713)-688-5533 www.liftmoore.com | DRAWN BY: AA DATE: 11/17/16 | BLOCK, TRAV ASSY 6.4K lbs/6.5D 6.58PD X 0.37 ROPE; 30759 HOOK | DRAWING NO. 28266-0 |
|--|---|--------------------------------|--|-------------------------------|

ASSEMBLY

REPORT ANY ERRORS OR CHANGES TO ENGINEERING IMMEDIATELY

NOTE

CROWN PLATE FOR REFERENCE ONLY

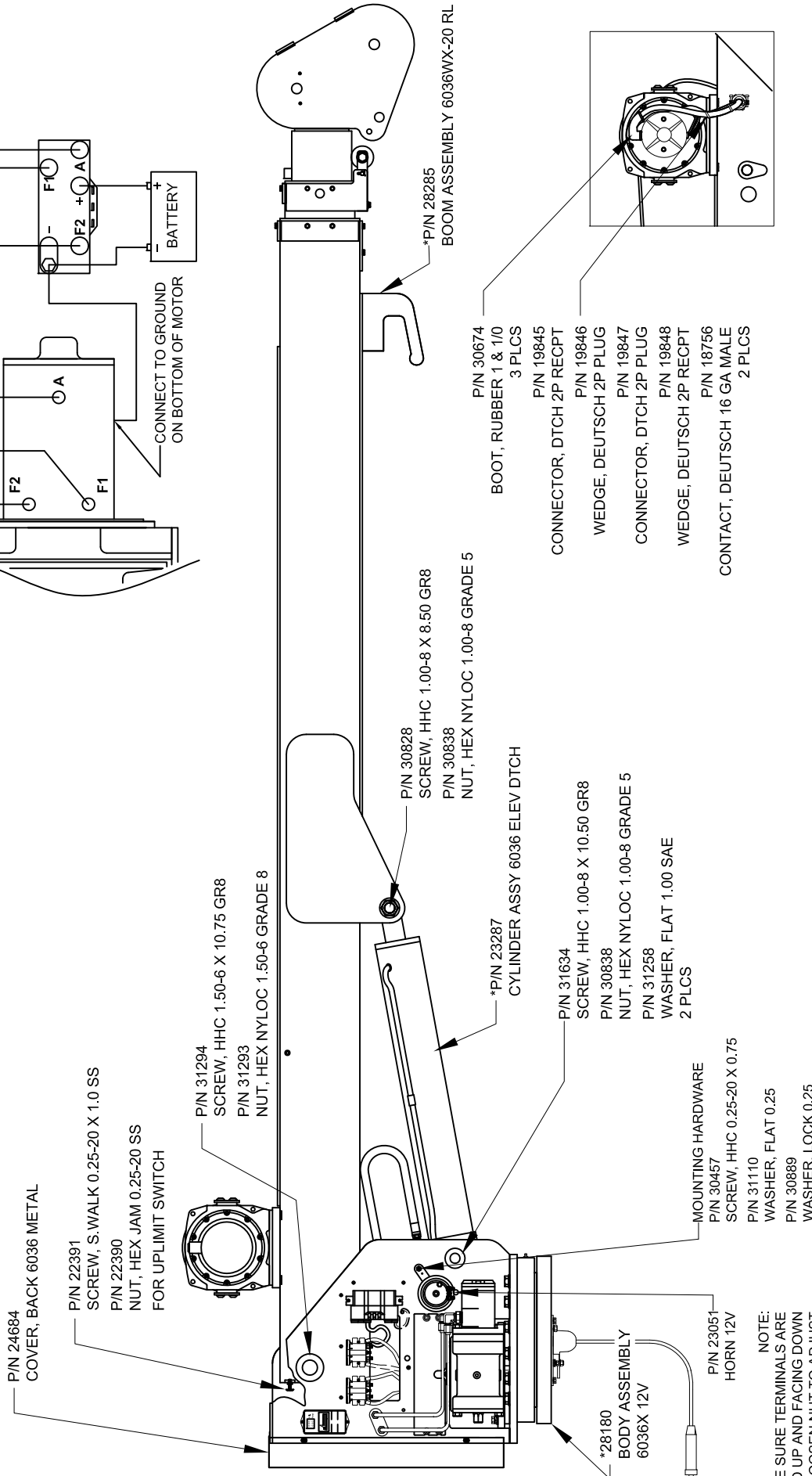
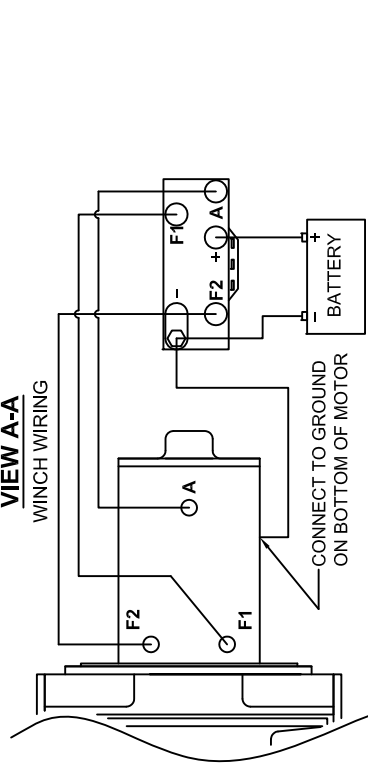


- P/N 24960 - CLAMP, HOSE SUPPORT 0.25 ID - 2PLCS
- P/N - 26582 - SCREW, SOC HD 0.25-20 X 0.37SS - 2PLCS
- P/N - 30889 WASHER, LOCK 0.25 GR5 PLATED - 2PLCS
ADD VIBRA-TITE
- P/N 27132 - SWITCH, LIMIT ATB ASSY 2W DTCH
- P/N 17164 - SCREW, SOC HD 10-24 X 0.62 SS - 2PLCS
- P/N 32639 - WASHER, LOCK #10 GR2 PLATED - 2PLCS
- P/N 25144 - LEVER, ATB ANTI-TWO BLK MACH
- P/N 33424 - BUSHING 0.37ID X 0.50D X 0.50L
- P/N 28530 - SCREW, SHOULDER 0.375 X 0.625
- P/N 26045 - NUT, HEX 0.37-24 SS GR8 - 2PLCS
ADD VIBRA TITE
- P/N 25128 - ALL THREAD STUD 3/8 -24 X 5.75"
- P/N 25152 - SCREW, SHOULDER 0.313 X 2.25
- P/N 33353 - WASHER, FLAT 0.31 SAE SS GR304
ADD VIBRA-TITE
- P/N 25138 SCREW, SHOULDER 0.375 X 3.25
- P/N 34256 - NUT, HEX NYLOC 0.31-18 SS 304
- P/N 32368 - WASHER, FLAT 0.37 SAE SS GR304 - 3PLCS
- P/N 33424 - BUSHING, 0.37 X 0.50 X 0.50L NYLON - 4PLCS
- P/N 27883 - LEVER, LT SIDE MACH
- OPPOSITE SIDE
- P/N 27882 - LEVER, RT SIDE MACH
- P/N 25151 - SPRING, COMPRESSION
- P/N 25129 - BALL JOINT ROD END - 2 PLCS
- P/N 25130 - SCREW, SHOULDER 0.375 X 0.625 - 2 PLCS
ADD VIBRA-TITE

- P/N 25142 - SPACER, LEVER
- P/N 27885 - LEVER, BAIL SUPPORT - MACH - 2PLCS
- P/N 17164 - SCREW, SOC HD 10-24 X 0.62 SS - 8PLCS
ADD VIBRA-TITE

| | | | | |
|--|---|-------------------------------|--|-------------------------------|
| | Houston TX (713)-688-5533 www.liftmoore.com | DRWN BY: AA DATE: 02/25/16 | DWG, BAIL ATB ASSEMBLY 6036/3660/4064/5080 BAIL ATB | DRAWING NO. 58435-C |
|--|---|-------------------------------|--|-------------------------------|

VIEW A-A
WINCH WIRING



P/N 24684
COVER, BACK 6036 METAL

P/N 22391
SCREW, S.WALK 0.25-20 X 1.0 SS
P/N 22390
NUT, HEX JAM 0.25-20 SS
FOR UPLIMIT SWITCH

P/N 31294
SCREW, HHC 1.50-6 X 10.75 GR8
P/N 31293
NUT, HEX NYLOC 1.50-6 GRADE 8

P/N 30828
SCREW, HHC 1.00-8 X 8.50 GR8
P/N 30838
NUT, HEX NYLOC 1.00-8 GRADE 5

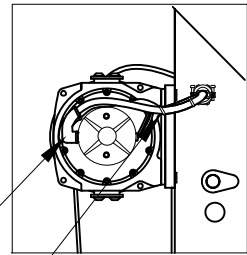
*P/N 23287
CYLINDER ASSY 6036 ELEV DTCH

P/N 31634
SCREW, HHC 1.00-8 X 10.50 GR8
P/N 30838
NUT, HEX NYLOC 1.00-8 GRADE 5
P/N 31258
WASHER, FLAT 1.00 SAE
2 PLCS

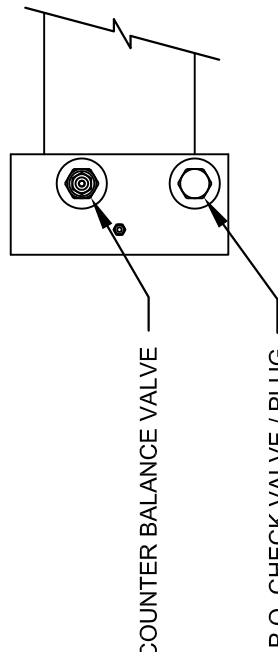
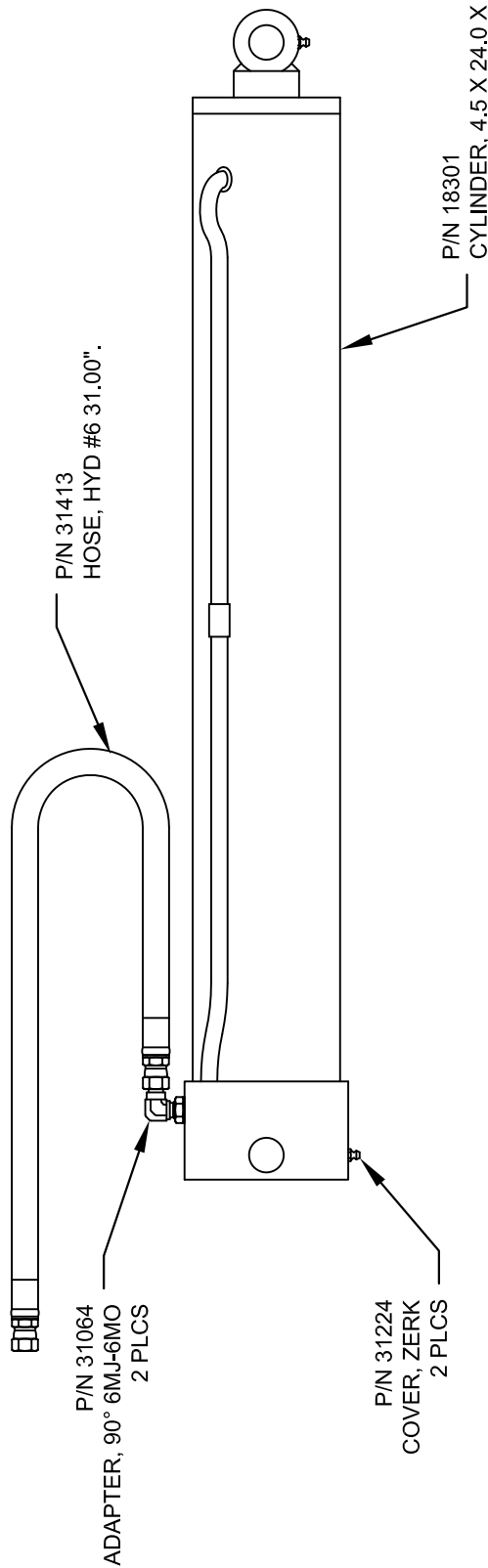
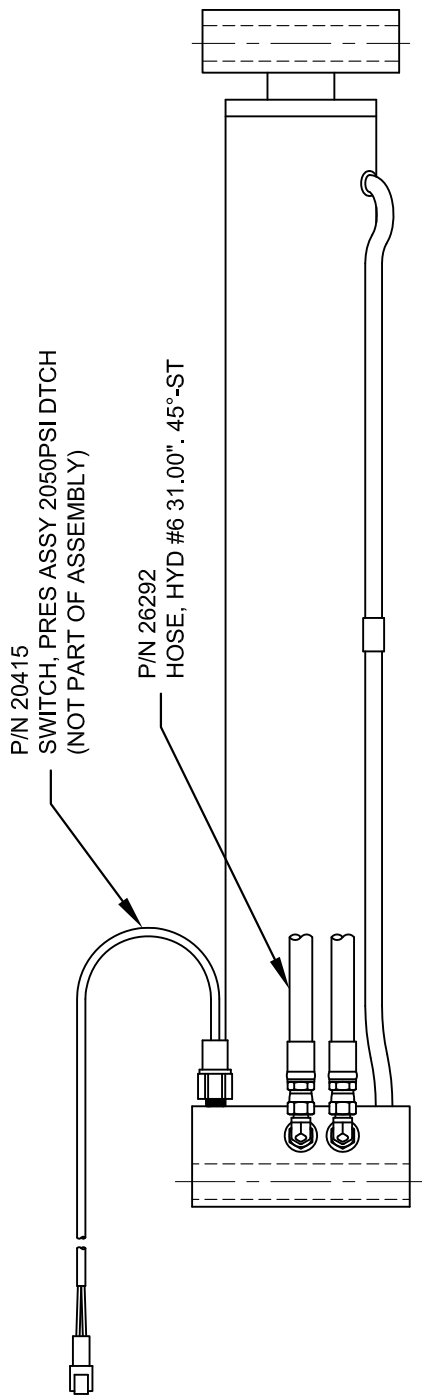
MOUNTING HARDWARE
P/N 30457
SCREW, HHC 0.25-20 X 0.75
P/N 31110
WASHER, FLAT 0.25
P/N 30889
WASHER, LOCK 0.25

NOTE:
MAKE SURE TERMINALS ARE
TAPED UP AND FACING DOWN
LOOSEN NUT TO ADJUST

P/N 30674
BOOT, RUBBER 1 & 1/0
3 PLCS
P/N 19845
CONNECTOR, DTCH 2P RECEPT
P/N 19846
WEDGE, DEUTSCH 2P PLUG
P/N 19847
CONNECTOR, DTCH 2P PLUG
P/N 19848
WEDGE, DEUTSCH 2P RECEPT
P/N 18756
CONTACT, DEUTSCH 16 GA MALE
2 PLCS



| | | | | |
|--|---|-------------------------------|--|-------------------------------|
| | Houston TX (713)-688-5533 www.liftmoore.com | DRWN BY: AA DATE: 02/23/16 | BOOM-BODY ASSY 6036X-20 BAIL ATB, 2-PART LINE, E-STOP, EXTR SOLENOID | DRAWING NO. 28181-C |
|--|---|-------------------------------|--|-------------------------------|



| REPLACEMENT PARTS FOR CYLINDER | |
|--------------------------------|-------------|
| DESCRIPTION | PART NUMBER |
| SEAL KIT | TM*SK-00271 |
| COUNTER BALANCE VALVE | 18577 |
| P.O. CHECK VALVE PLUG | TM*PP00482 |

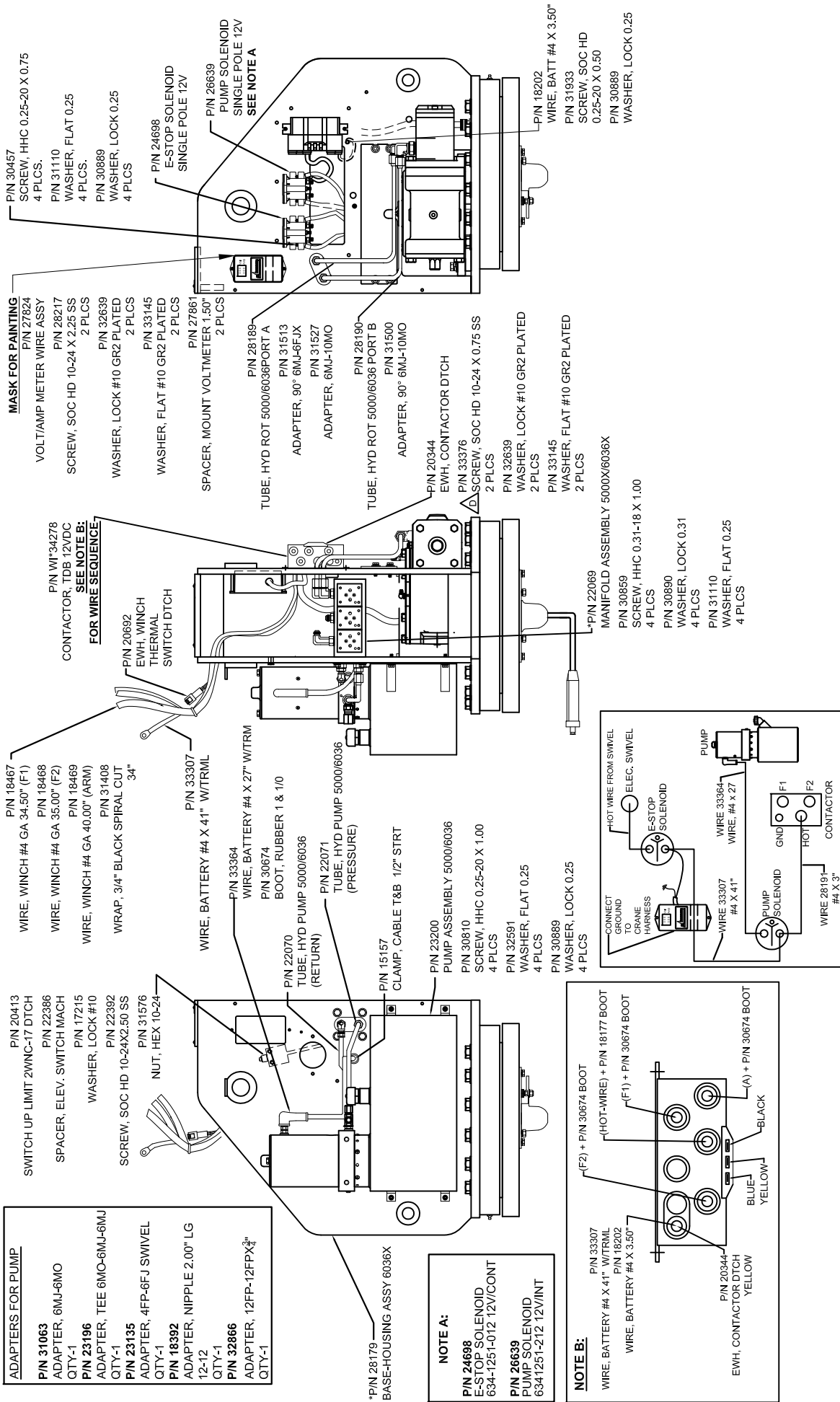
DRAWING NO.
23287-B

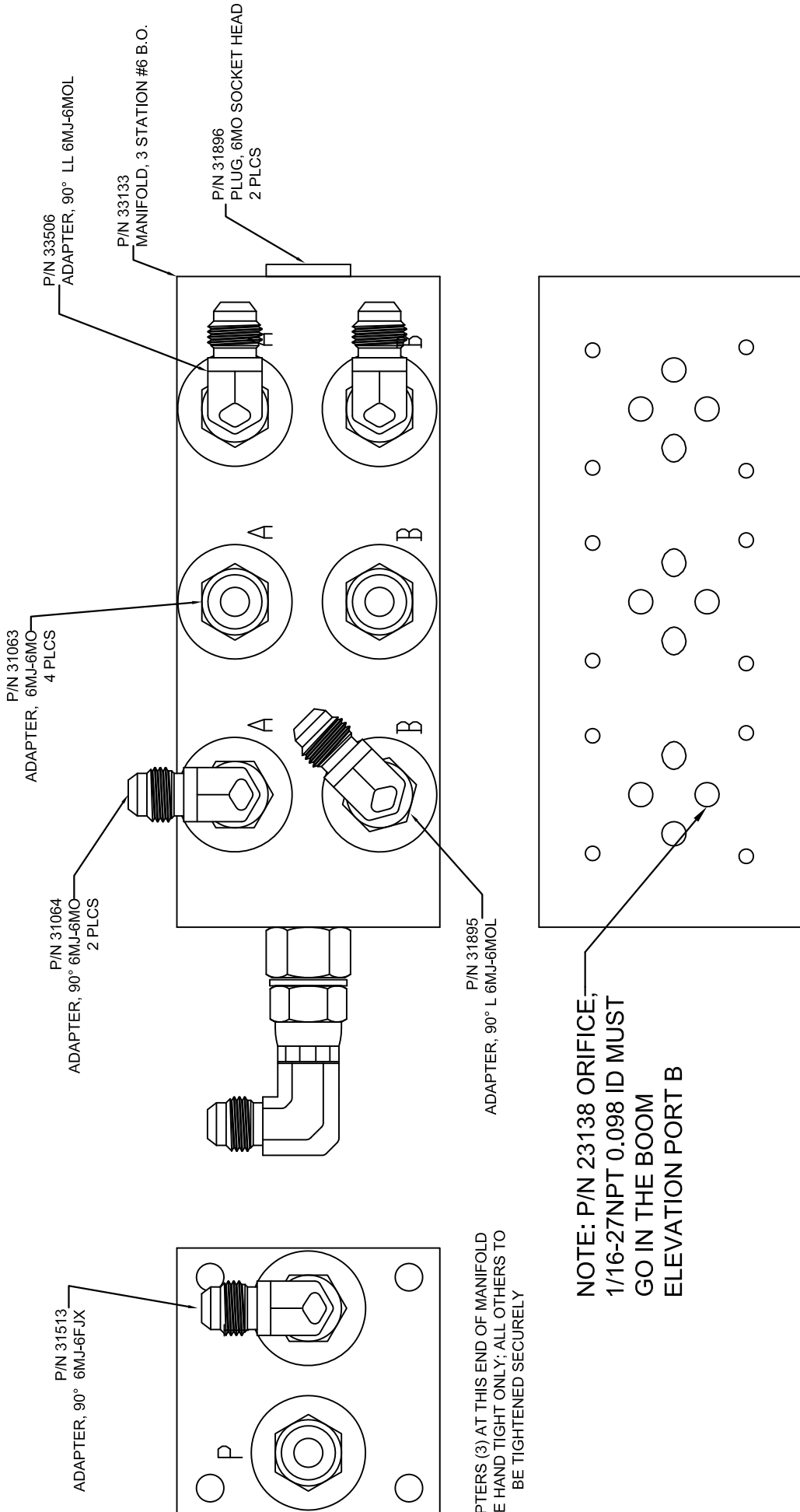
CYLINDER ASSY 6036 ELEV DTCH
W/ TMS CYLINDER

DRWN BY: AA
DATE: 09/28/12

Houston TX
(713)-688-5533
www.lifmoore.com

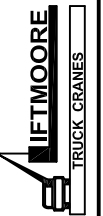






ADAPTERS (3) AT THIS END OF MANIFOLD TO BE HAND TIGHT ONLY; ALL OTHERS TO BE TIGHTENED SECURELY

NOTE: P/N 23138 ORIFICE, 1/16-27NPT 0.098 ID MUST GO IN THE BOOM ELEVATION PORT B



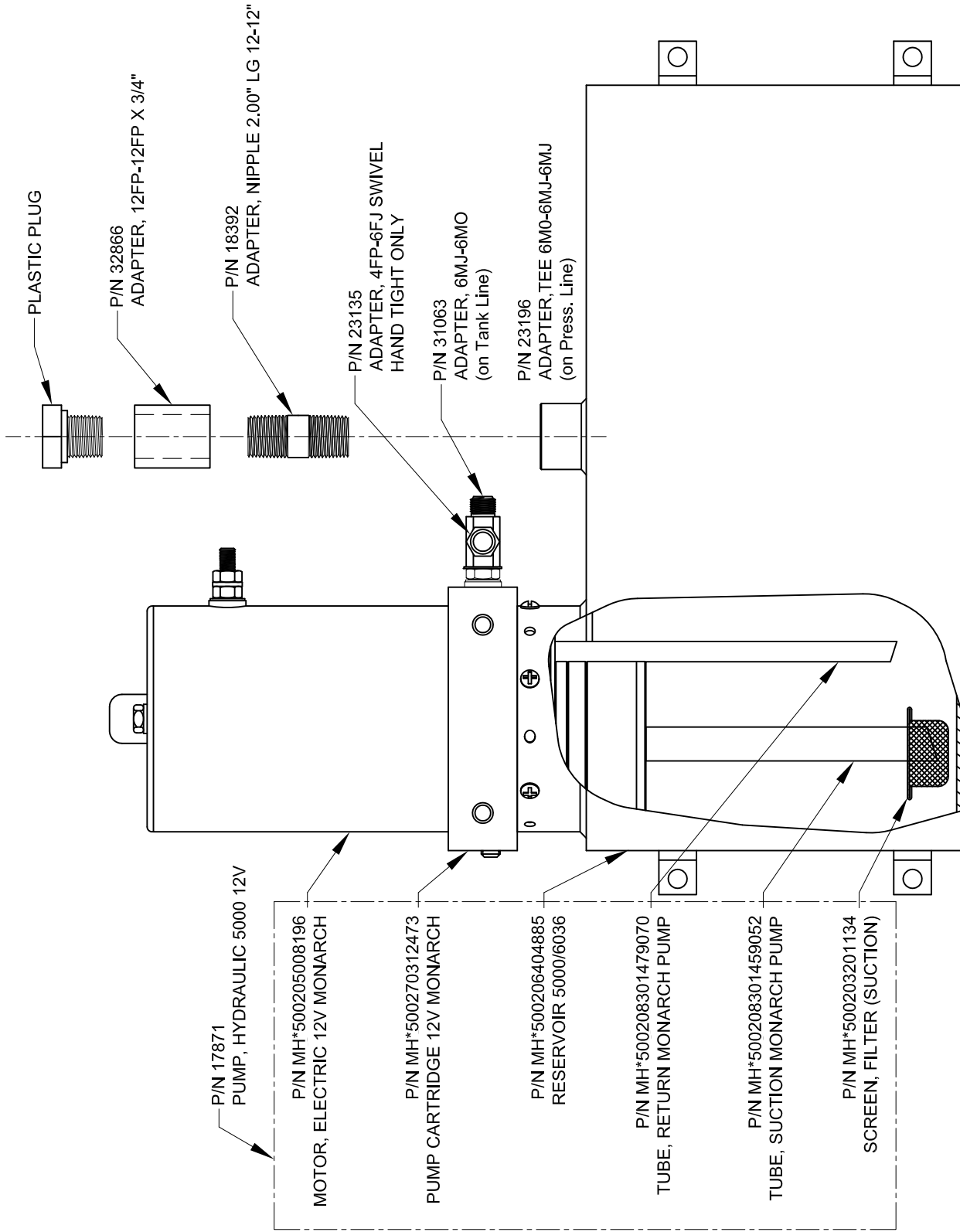
Houston TX
(713)-688-5533
www.liftmoore.com

DRWN BY: KSP
DATE: 7/21/09

MANIFOLD ASSEMBLY 6036X
#6 X #6 PORTS MANIFOLD

DRAWING NO.

22069-E



DRAWING NO.

23200-A

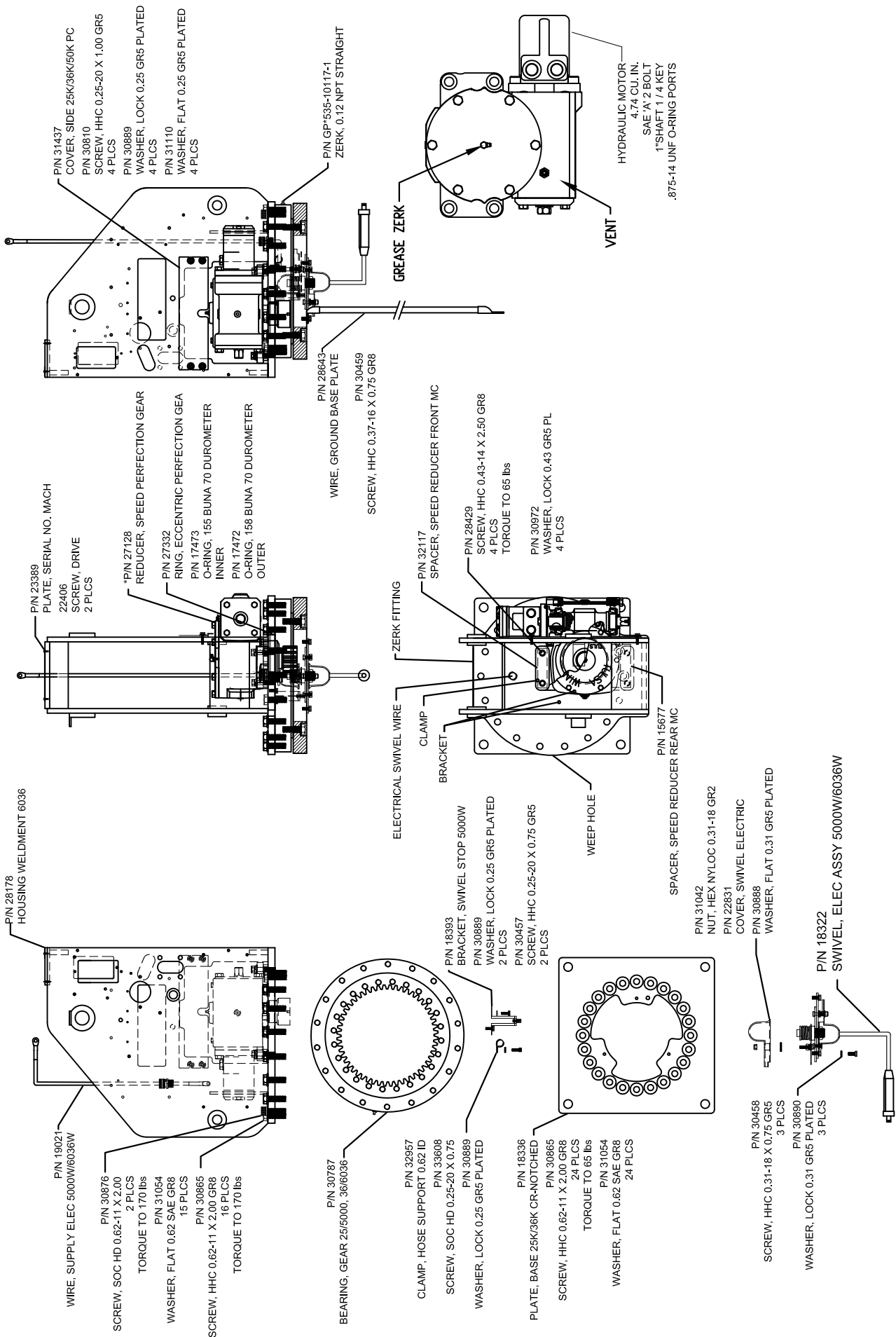
PUMP ASSEMBLY 5000/6036
MONARCH PUMP

DRWN BY: KSP

DATE: 7/2/09

Houston TX
(713)-688-5533
www.liftmoore.com



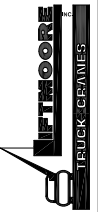


DRAWING NO. **28179-E**

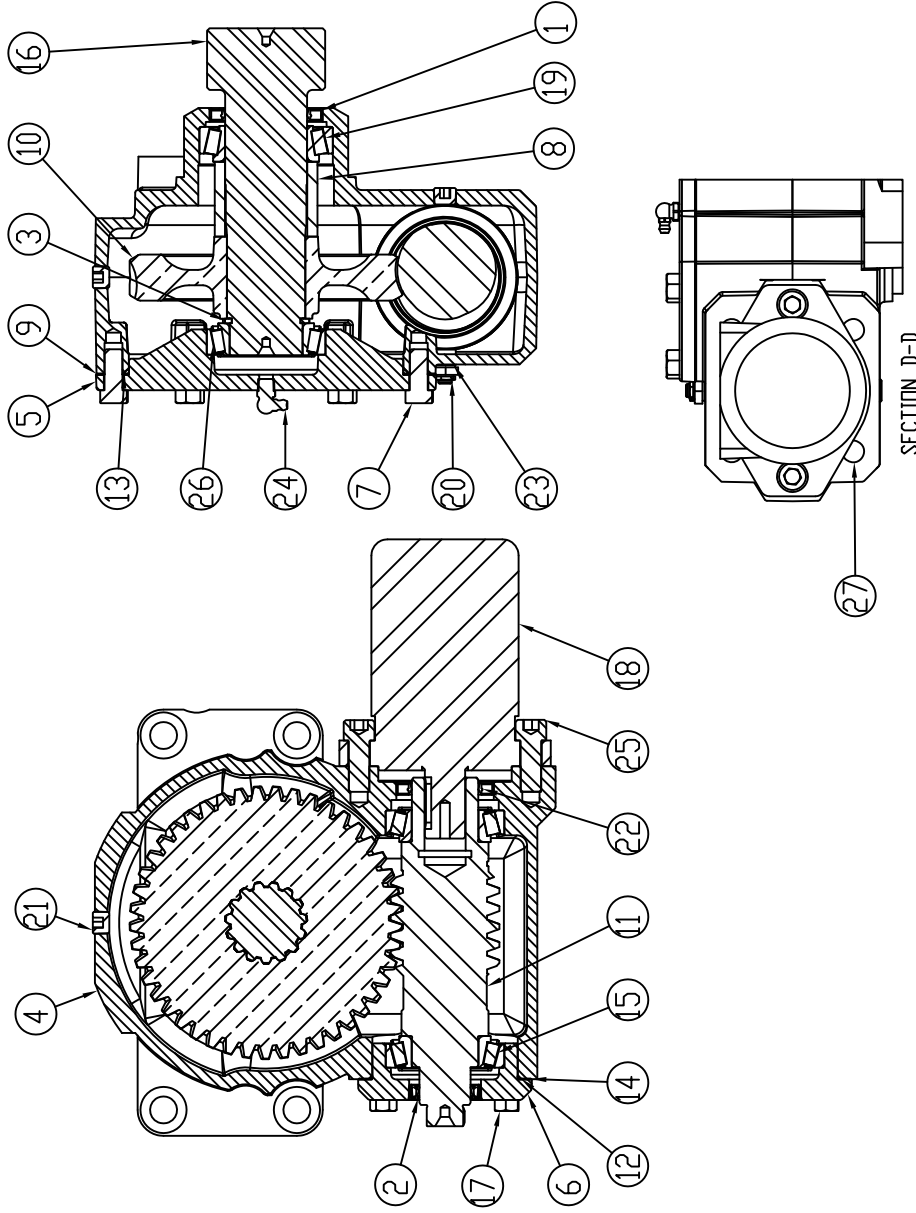
BASE-HOUSING ASSY 6036X
 3RD GEN. R. B. WE-STOP EXTR SOLENOID

DRWN BY: AT
 DATE: 9/12/16

Houston TX
 (713)-688-5533
 www.liftmoore.com



| ITEM NO. | PART NUMBER | DESCRIPTION | QTY. |
|----------|-------------------|--|---------|
| 1 | 3309 | SEAL, OIL #19831 | 1 |
| 2 | AT3263 | SEAL, OIL #12355PTC | 1 |
| 3 | AT3651 | SNAP RING, INT. SHRI75STPA | 1 |
| 4 | AT4301-2E | HOUSING | 1 |
| 5 | AT4306A | CAP, GEAR | 1 |
| 6 | AT4309 | CAP, WORM | 1 |
| 7 | AT4323A | 7/16-14 X 1" HHCS PLATED | 6 |
| 8 | AT4327-2 | SPACER, GEAR | 1 |
| 9 | AT4332SYP | SHIM, GEAR .003 GREEN | AS REQ. |
| 9 | AT4332SNP | SHIM, GEAR .005 BLUE | AS REQ. |
| 9 | AT4332SHP | SHIM, GEAR .0075 NATURAL | AS REQ. |
| 9 | AT4332SBP | SHIM, GEAR .010 BROWN | AS REQ. |
| 10 | AT4345G | GEAR, WORM 45i | 1 |
| 11 | AT4345X6 | WORM 45i | 1 |
| 12 | AT4354 | O-RING, PARKER 2-043 | 1 |
| 13 | AT4354-2 | O-RING, PARKER 2-165 | 1 |
| 14 | AT4542SYP | SHIM, WORM .003 GREEN | AS REQ. |
| 14 | AT4542SNP | SHIM, WORM .005 BLUE | AS REQ. |
| 14 | AT4542SHP | SHIM, WORM .0075 NATURAL | AS REQ. |
| 15 | AT4552C & AT4552R | BRG, ROLLER CUP NP761714 & CONE NP535811 | 2 |
| 16 | AT17595P | OUTPUT PINION | 1 |
| 17 | HCA3223F | 3/8-16 x 1.1/8" LG HHCS | 4 |
| 18 | MA00140 | MOTOR, HYD 4.74 CIPR 1" KEYED | 1 |
| 19 | PT8061C & PT8061R | BRG, ROLLER CUP-LM104911 & CONE-LM104949 | 1 |
| 20 | SB1889 | VENT. PRESSURE 1-5 PSIG | 1 |
| 21 | SB2671A | PLUG, PIPE 1/4" SOCKET HEAD | 2 |
| 22 | SB4563 | OIL SEAL C/R 16084 | 1 |
| 23 | SB4567 | BUSHING, RED 1/8 X 1/4 | 1 |
| 24 | SB4599C | GREASE FITTING 1/8 NPT 90 | 1 |
| 25 | SC4523ES | 1/2-13 X 1.1/4" SHCS | 2 |
| 26 | SH2161C & SH2161R | BRG, ROLLER CUP LM102910 & CONE LM102949 | 1 |
| 27 | SH3297 | PLUG, PLASTIC HOLE | 4 |



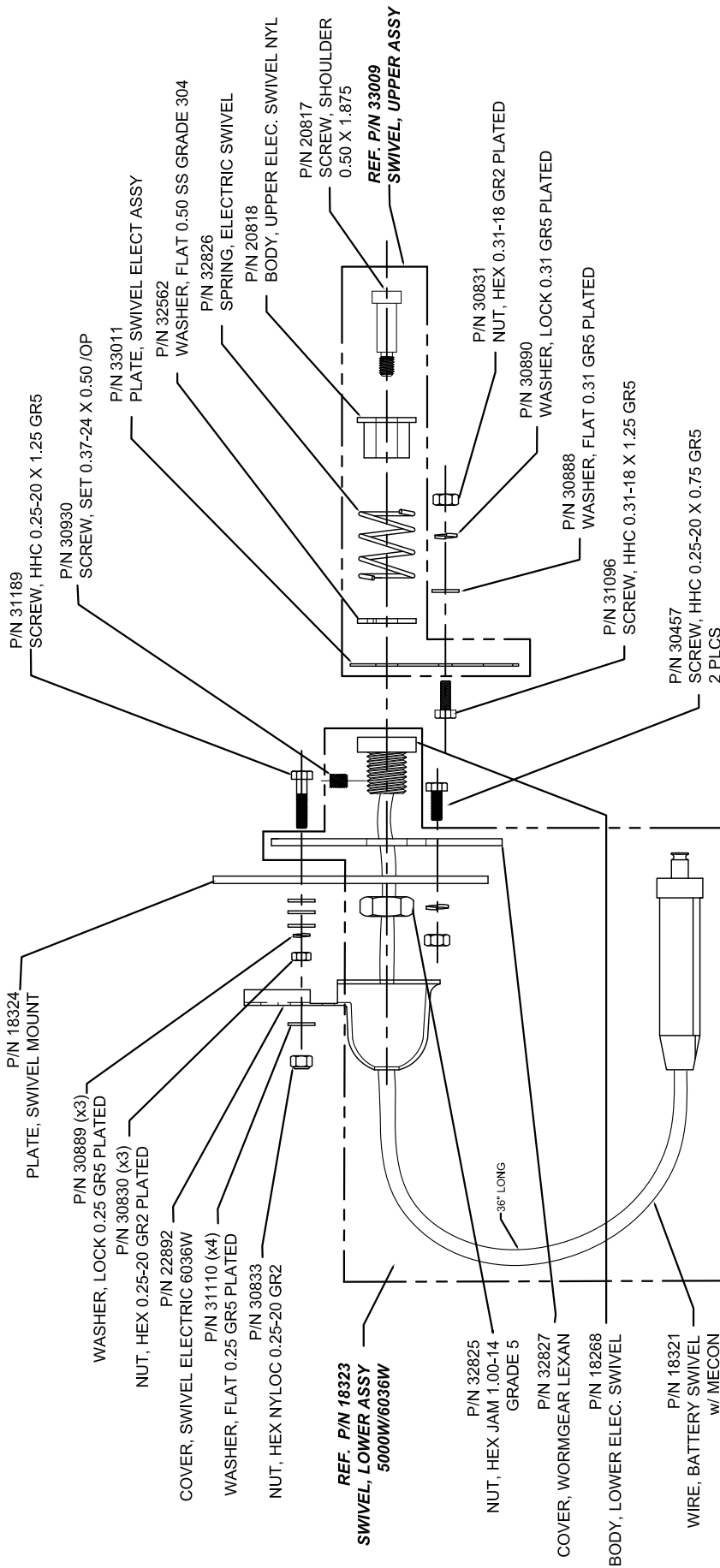
DRAWING NO.
27128-0

REDUCER, SPEED PERFECTION GEAR
PERF. GEAR P/N AT175955

DRWN BY: PER G
DATE: 04/23/15

Houston TX
(713)-688-5533
www.liftmoore.com





DRAWING NO.
18322-D

SWIVEL, ELEC ASSY 5000W/6036W

DRWN BY: JC
DATE: 01/08/08

Houston TX
(713)-688-5533
www.liftmoore.com



- P/N 33951
PAD, NYLON 0.25 X 3.87 X 2 TAP
3 PLCS
- P/N 30457
SCREW, HHC 0.25-20 X 0.75 GR5
9 PLCS
- P/N 30889
WASHER, LOCK 0.25 GR5 PLATED
11 PLCS

P/N 33367
SCREW, EYE 0.25-20 W/ NUT
2 PLCS

*P/N 28284
BOOM, OUTER ASSY 6036WX-16&20

P/N 33949
PAD, NYLON 0.25 X 4 X 3.62 TAP

P/N 33501
PIN, TEARDROP 1.00 X 6.18

P/N 30459
SCREW, HHC 0.37-16 X 0.75 GR8

P/N 30473
WASHER, LOCK 0.37 GR5 PLATED

*P/N 27415
BOOM, INNER ASSY 6036WX

P/N 21931
ROLLER, BOOM 3660,5080 ASSY

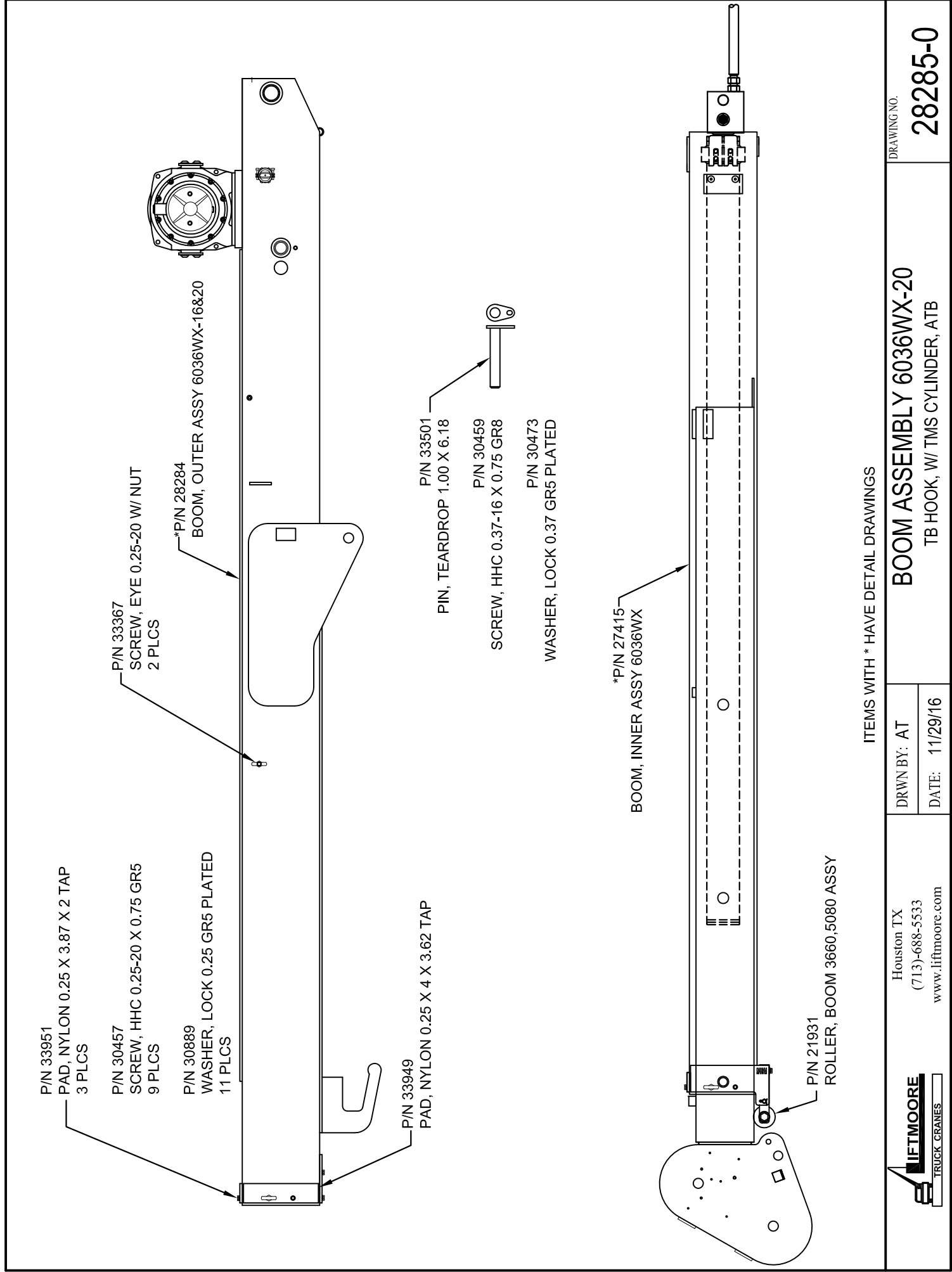
ITEMS WITH * HAVE DETAIL DRAWINGS

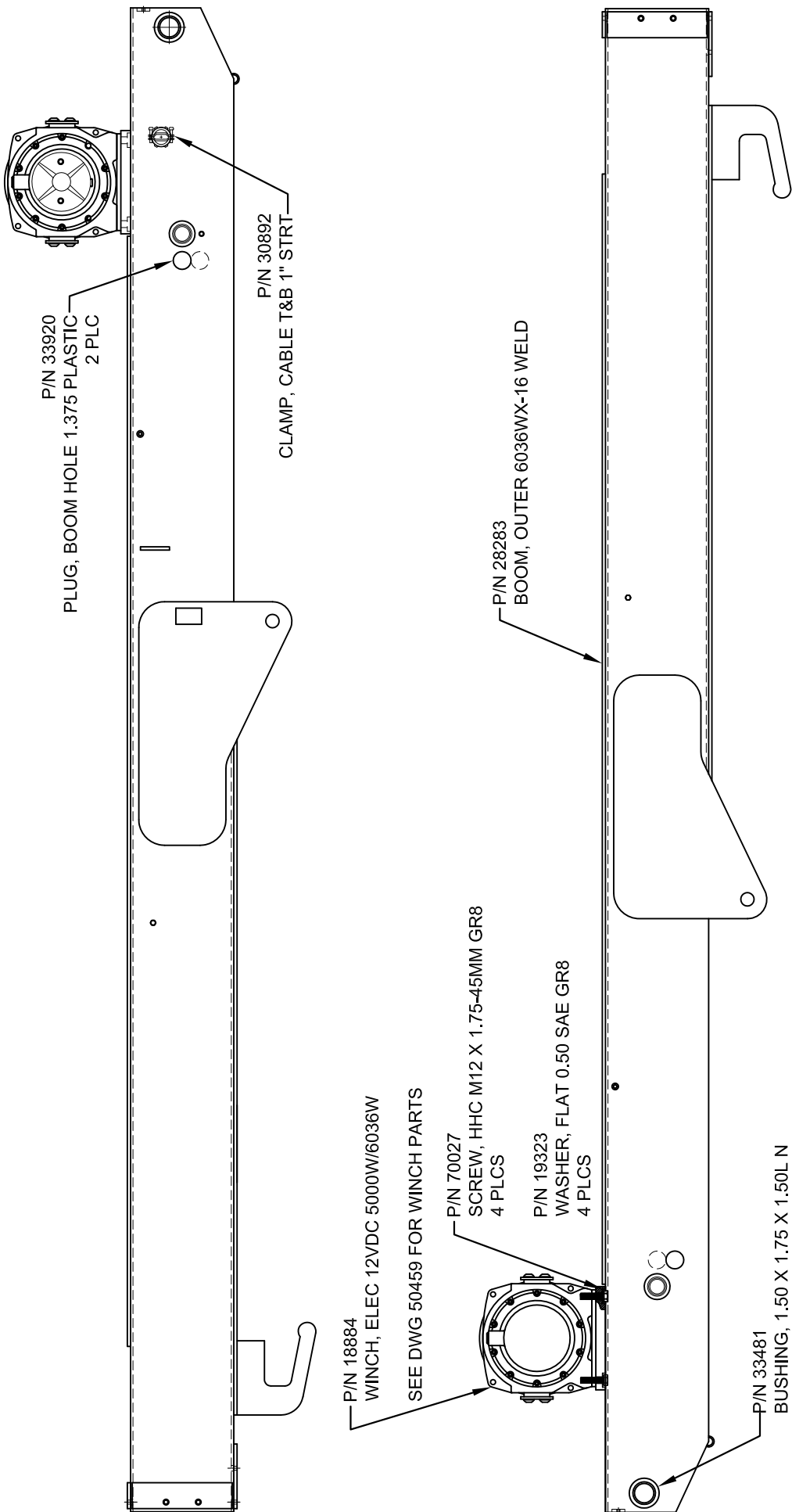
DRAWING NO.
28285-0

BOOM ASSEMBLY 6036WX-20
TB HOOK, W/ TMS CYLINDER, ATB

DRWN BY: AT
DATE: 11/29/16

Houston TX
(713)-688-5533
www.liftmoore.com





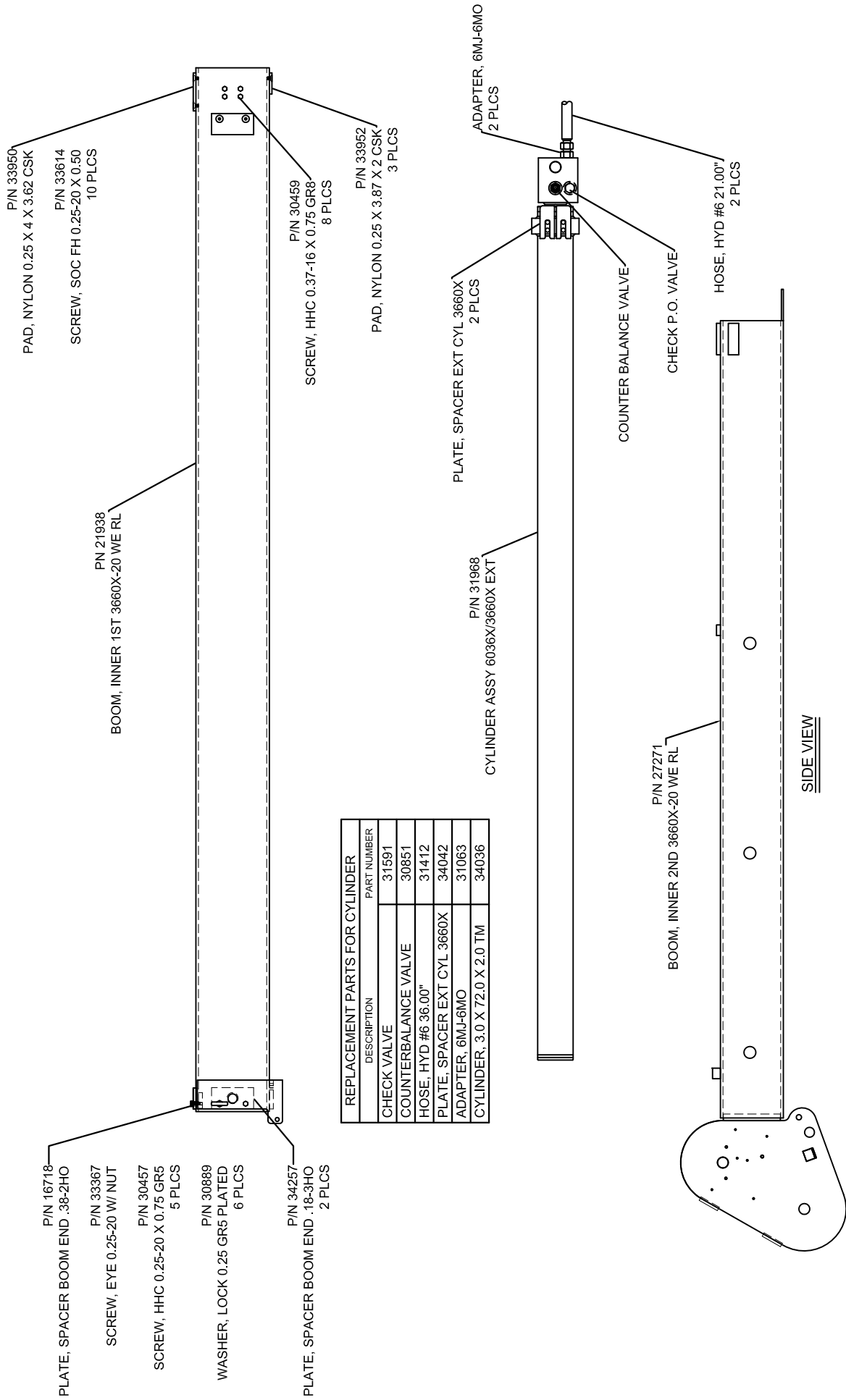
DRAWING NO.
28284-0

BOOM, OUTER ASSY 6036WX-16 & 20
TB HOOK, W/ TMS CYLINDER, ATB

DRWN BY: AT
DATE: 11/29/16

Houston TX
(713)-688-5533
www.liftmoore.com





| REPLACEMENT PARTS FOR CYLINDER | |
|--------------------------------|-------------|
| DESCRIPTION | PART NUMBER |
| CHECK VALVE | 31591 |
| COUNTERBALANCE VALVE | 30851 |
| HOSE, HYD #6 36.00" | 31412 |
| PLATE, SPACER EXT CYL 3660X | 34042 |
| ADAPTER, 6MJ-6MO | 31063 |
| CYLINDER, 3.0 X 72.0 X 2.0 TM | 34036 |

Houston TX
 (713)-688-5533
 www.liftmoore.com

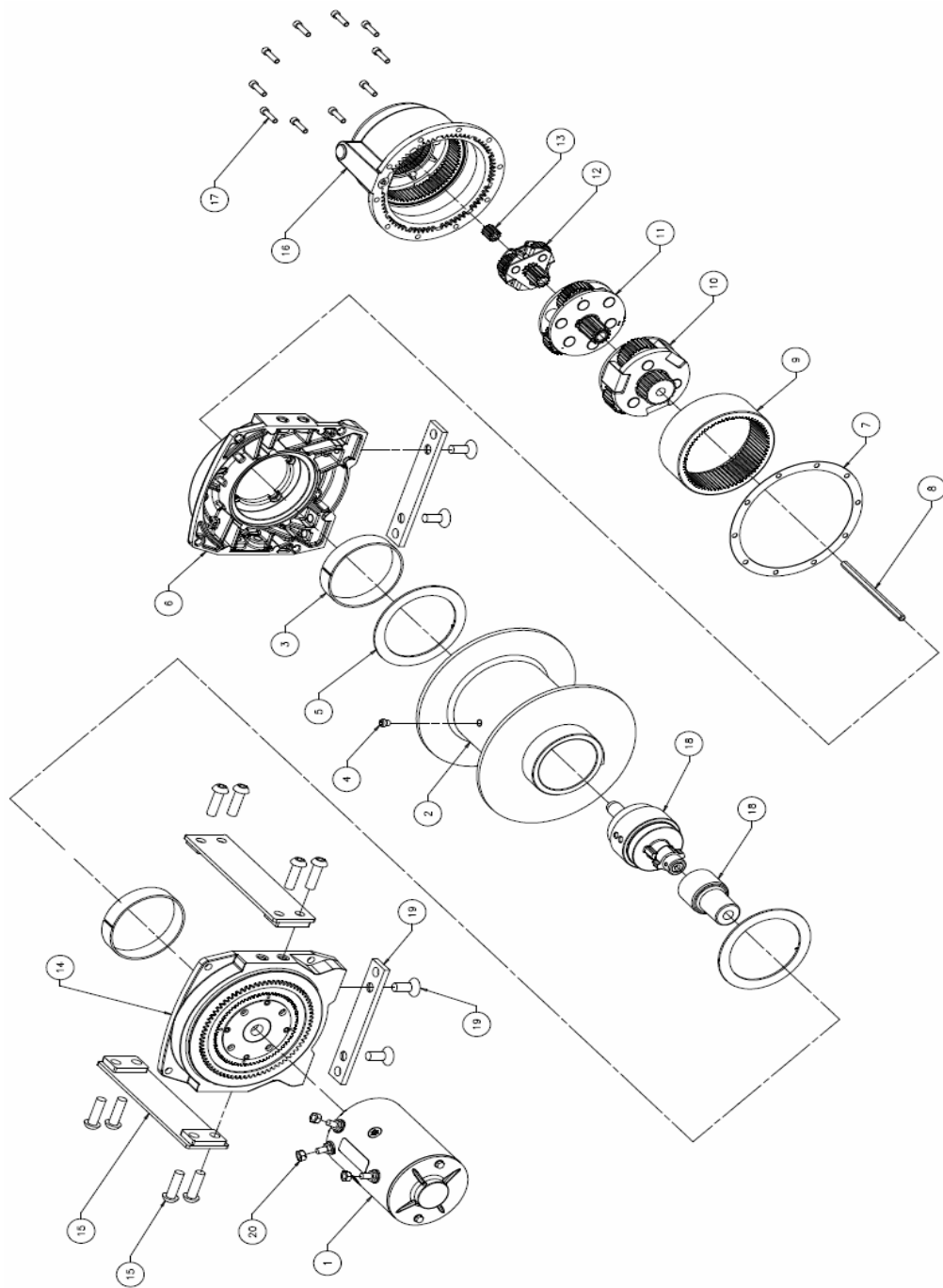
DRWN BY: JE
 DATE: 6/29/15

BOOM, INNER ASSY 6036WX
 BAIL ATB, TMS CYL

DRAWING NO.
27415-0



WINCH DC3000 -12VDC P/N 18884



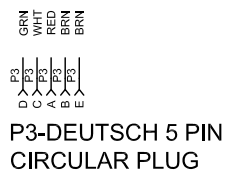
SERVICE PARTS LIST: DC3000 HOIST-12V P/N 18884

| ITEM REFERENCE | ITEM / KIT No. |
|---------------------------------------|----------------|
| 1. (MTO)S/P ELECTRIC MOTOR, 12VDC | WI*31681 |
| 2. DRUM SUBASSY, DC3000 | WI*39924 |
| 3. BUSHING DRUM NYLATRON | WI*30274 |
| 4. (KB) SET SCREW, DOG POINT, M10 | WI*36974 |
| 5. WASHER, THRUST, NYLATRON, CIM | WI*30277 |
| 6. (MTO)S/P DRUM SUPPORT ASSY | WI*31675 |
| 7. GASKET, RING GEAR | WI*14964 |
| 8. (HEX) SHAFT, DRIVE, 5/16 X 6.0 | WI*37188 |
| 9. RING GEAR, (PH) STAGE 3, FS WN | WI*18336 |
| 10. CARRIER ASSY, 3RD STG, 30T PLT | WI*33413 |
| 11. CARRIER ASSY, 2ND STG, 31T PLT | WI*33417 |
| 12. CARRIER (PH) ASSY, STG 1,24P X 12 | WI*27837 |
| 13. GEAR, SUN, 12 TEETH, FS WN | WI*19574 |
| 14. (MTO)S/P DRUM SUPPORT ASSY | WI*31680 |
| 15. SVC KIT PLATE, TIE BAR | WI*85581 |
| 16. S/P GEAR HOUSING ASSY W/CLUTCH | WI*62797 |
| 17. CAP SCREW SOC HD 1/4 X 1 | WI*1448 |
| 18. (MTO) S/P BREAK ASSY, 3000# | WI*37467 |
| 19. SVC KIT PLATE, SPACER | WI*85582 |
| 20. NUT,HEX,M8 X 1.25,GR8.8,STEEL | WI*13455 |

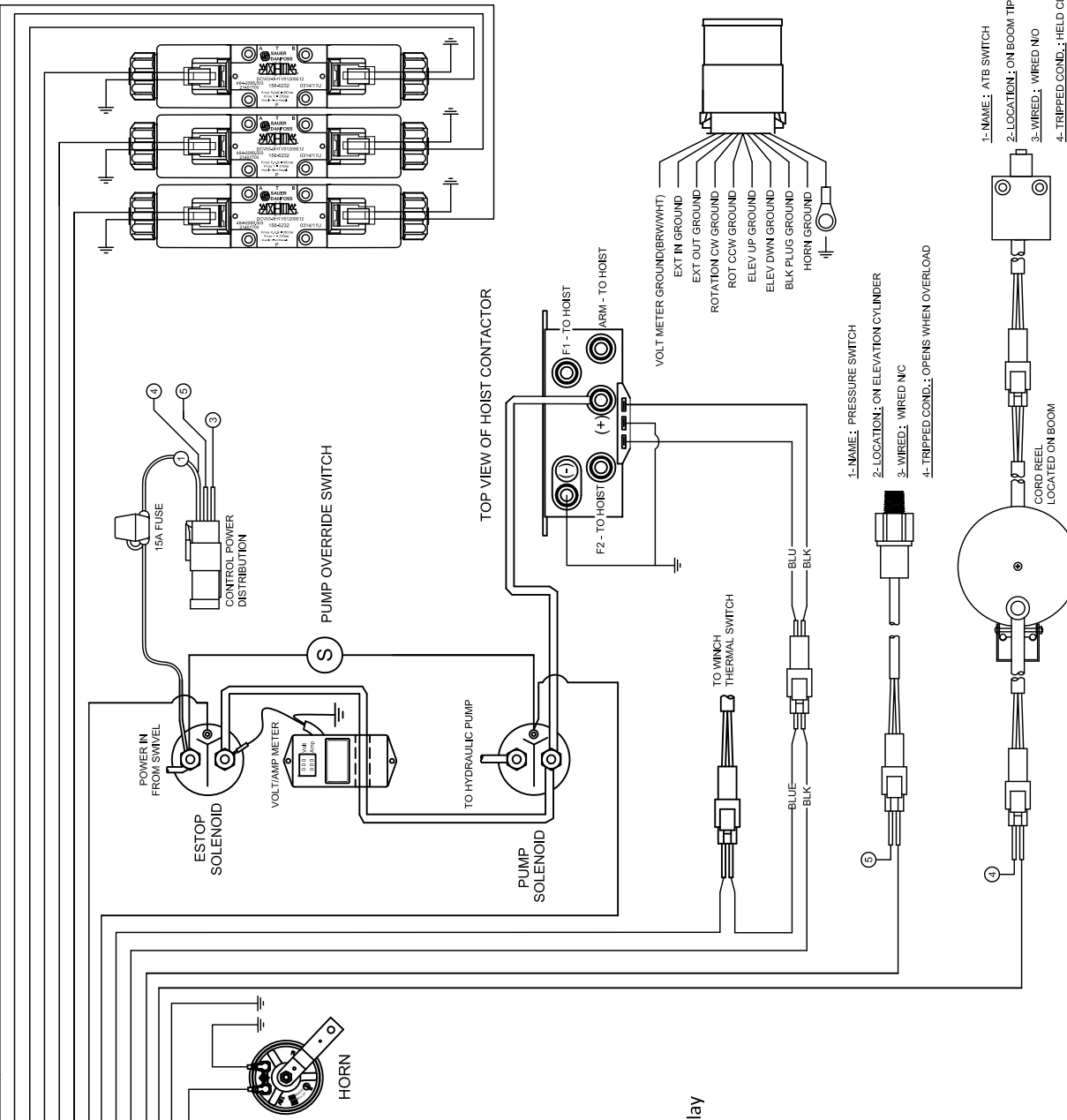


| FUNCTION | WIRE COLOR |
|-----------|------------|
| BOOM SW | WHT |
| ELEV UP | GRN |
| EXT IN | ORNBK |
| ROT CW | RED |
| ROT CCW | RED/BLK |
| EXT OUT | WHT |
| ELEV DWN | YEL |
| E-STOP | WHT/BLU |
| PUMP | WHT/BLK |
| WINCH UP | BLUE |
| WINCH DWN | BLK |
| PRES SW | GRY |
| ATB | BLK |
| GROUND | BRN |
| +12 V DC | BLU/BLK |
| HORN | RED |
| CAN H | |
| CAN L | |

P1-DEUTSCH 12-SOCKET GRAY PLUG
 P2-DEUTSCH 12-SOCKET BLACK PLUG
 P3-DEUTSCH 5 PIN CIRCULAR PLUG

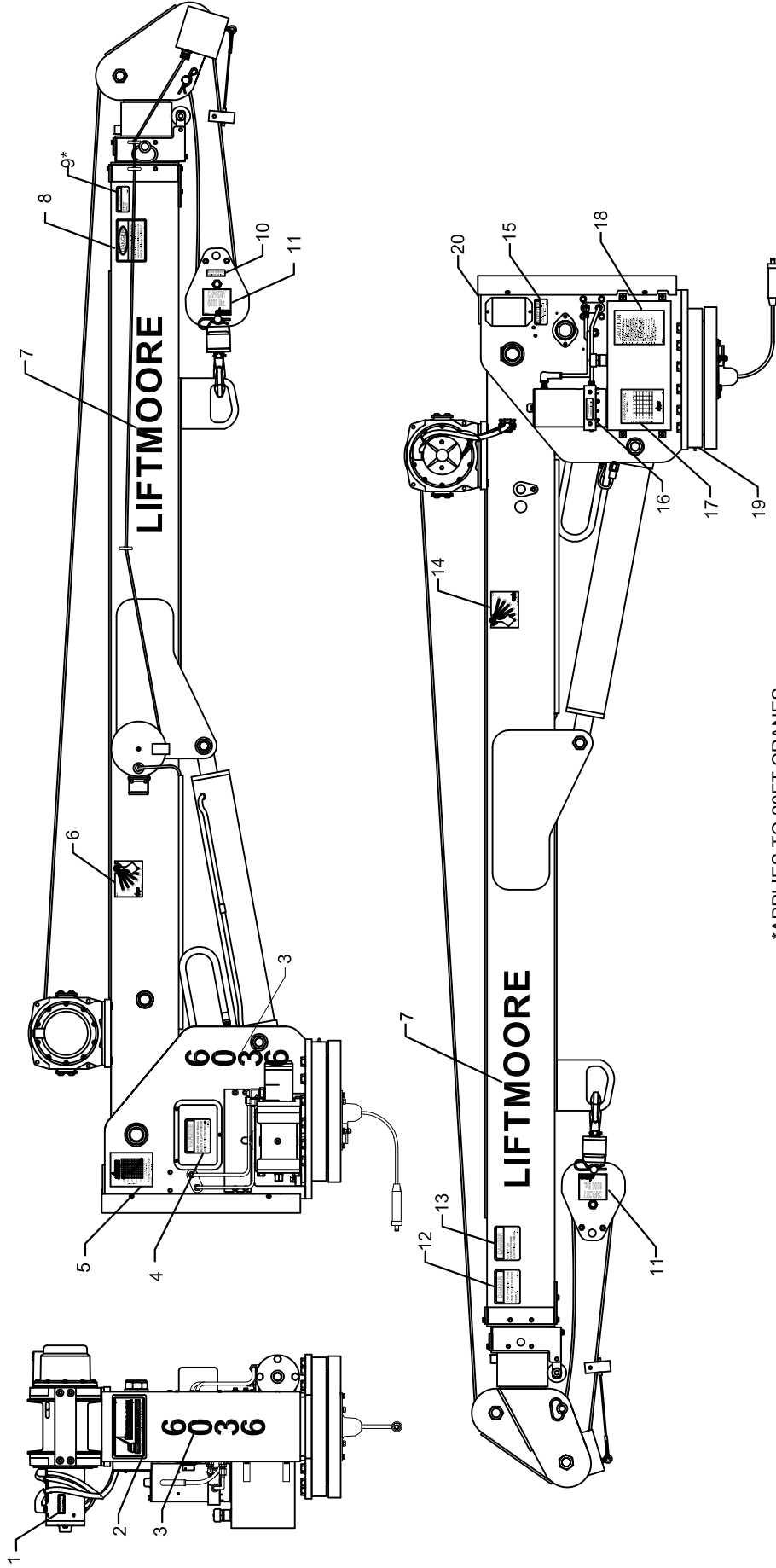


- 1-NAME: UP LIMIT SWITCH
- 2-LOCATION: ON CRANE HOUSING
- 3-WIRED: WIRED NC
- 4-TRIPPED COND.: OPENS WHEN BOOM ALL WAY UP



Pressure switch and ATB logic remains the same as Limiting system. When ATB or over load condition, the receiver's display will show "ATB", "OVER LOAD"

| | | | |
|---|---|------------------------------|---------------------------------------|
| | Houston TX (713)-688-5533 www.liftmoore.com | DRWN BY: AA DATE: 2/15/16 | SCHEM, ELEC DTCH 5000/6036 WI WIFI |
| DRAWING NO. 50879 | | REV.: E DATE: 10/9/18 | |
| CHANGED ROTATION WIRES, UPDATED SOLENOIDS, CORRECTED CONTACTOR & ADDED PUMP OVERRIDE SWITCH | | | |



*APPLIES TO 20FT CRANES

| # | PN | DESCRIPTION | QTY | # | PN | DESCRIPTION | QTY | # | PN | DESCRIPTION | QTY |
|---|-------|--------------------------------|-----|----|-------|---------------------------------|-----|----|-------|--------------------------------|-----|
| 1 | 32608 | DECAL, MOTOR MAGNETS DAMAGE | 1 | 8 | 15618 | DECAL, DANGER ELECTRIC INJURY | 1 | 15 | 15577 | DECAL, ATTENTION BATTERY | 1 |
| 2 | 15581 | DECAL, LOGO LARGE | 1 | 9 | 15612 | DECAL, CAUTION PIN MUST BE IN | 1 | 16 | 16103 | DECAL, USE 46AW HYD. OIL | 1 |
| 3 | 32104 | DECAL, WARNING TRAVELING BLOCK | 2 | 10 | 22816 | DECAL, BLOCK & HOOK WT. 45 lbs. | 1 | 17 | 22380 | DECAL, LOAD CAPACITY 36K-10-20 | 1 |
| 4 | 15615 | DECAL, WARNING TRAVELING BLOCK | 1 | 11 | 32820 | DECAL, TRAVEL BLOCK 6000 LBS. | 2 | 18 | 16102 | DECAL, CAUTION READ MANUAL | 1 |
| 5 | 24186 | PLATE, SERIAL 6036 | 1 | 12 | 32085 | DECAL, LIFTING PERSONNEL | 1 | 19 | 19756 | DECAL, ATTENTION GREASE GEAR | 1 |
| 6 | 22376 | DECAL, ANGLE PENDULUM RIGHT | 1 | 13 | 15579 | DECAL, DANGER CABLES | 1 | 20 | 23389 | PLATE, SERIAL NO. MACH | 1 |
| 7 | 15580 | DECAL, LIFTMOORE - 3'00" | 2 | 14 | 22375 | DECAL, ANGLE PENDULUM LEFT | 1 | | | | |

Houston TX
 (713)-688-5533
 www.liftmoore.com



DRWN BY: JC
 DATE: 11/25/09

DECAL DIAGRAM FOR THE
 6036WX

DRAWING NO.
 58300-D

LIFTMOORE LIMITED WARRANTY

Parts and Structural

Liftmoore, Inc. warrants each LIFTMOORE crane to be free from defects in materials and workmanship for twelve (12) months from the date of delivery to the original customer. Under the terms of this warranty the crane structural components manufactured by LIFTMOORE, Inc. are warranted for thirty-six (36) months from the date of delivery to the original customer. LIFTMOORE, Inc. will repair or replace, as its sole discretion, any equipment or part that is returned f.o.b. to LIFTMOORE, Inc.'s plant at 7810 Pinemont Drive, Houston, Texas 77040, or to one of its authorized dealers, and is found by LIFTMOORE, Inc. or its authorized dealer to have been defective at the time of original delivery.

The foregoing warranty is the exclusive warranty made by LIFTMOORE, Inc. with respect to its cranes and is in lieu of all other warranties. ANY AND ALL OTHER WARRANTIES, EXPRESS OR IMPLIED, INCLUDING ANY WARRANTY OF MERCHANTABILITY OR FITNESS OF ANY CRANE FOR A PARTICULAR PURPOSE OR OPERATION, ARE HERBY EXPRESSLY DISCLAIMED.

The foregoing warranty applies only to LIFTMOORE cranes under normal use and service and does not apply in the event of damage caused by repair or alteration or damage during shipment, accident, negligence, overloading, or misuse, including operator's failure to follow any of the instructions issued with the crane.

This warranty is limited to the original purchaser and is not assignable. In order to submit a claim, the original purchaser must provide a copy of the original invoice for the crane in question within twelve (12) months following the delivery date and within 30 days from the date of repair.

The warranty applies only when the LIFTMOORE crane is used for commercial purposes and does not cover any purchase for use for personal, family or household purposes.

LIMITATION OF LIABILITY: LIFTMOORE, Inc.'s liability for any losses or damages resulting from any cause whatsoever, including LIFTMOORE, Inc.'s NEGLIGENCE or from a defective crane irrespective of whether such defects are discoverable or latent, shall in no event exceed the purchase price of the crane to which losses or damages are claimed, or at the election of LIFTMOORE, Inc., the repair or replacement of the defective crane.

In no event shall LIFTMOORE, Inc. be liable for any special, incidental, or consequential damages, including commercial losses or costs of any kind sustained by purchaser or any other person or for any damages for which purchaser may be liable to other persons by reason of any defect in any LIFTMOORE crane or any part thereof.

LIFTMOORE, Inc. reserves the right to make changes in design or construction of its cranes at any time without obligating itself to make such changes on cranes previously manufactured.

No agent, employee, or representative of LIFTMOORE, Inc. has authority to amend or modify the foregoing warranty or to bind LIFTMOORE, Inc. by any other warranty, guaranty, or assumption of liability.

In the event any provision of this warranty is for any reason held ineffective, the remaining provisions shall remain in full force and effect.

Some states do not allow limitations on how long an implied warranty lasts or the exclusion or limitation of incidental or consequential damages, so the above limitations and exclusions may not apply to you. This warranty gives you specific legal rights, and you may also have other legal rights that vary from state to state.

