

# TABLE OF CONTENTS

USERS MANUAL P/N 26962  
3612X 9-15ft; WIRELESS CONTROLS  
15 FT BOOM  
E-STOP, PRESSURE GAUGE, HORN & VOLT METER  
BAIL ATB on left side.

## SECTION I

### GENERAL OPERATION, INSPECTION, AND MAINTENANCE

CRANE SAFETY RULES .....	F1122-B .....	1-1
INTRODUCTION .....	F1111-D .....	1-3
OPERATING RESTRICTIONS .....	F1637-A .....	1-4
OPERATING PRACTICES .....	F1637-A .....	1-4
INSPECTION AND MAINTENANCE .....	F1113-D .....	1-7
MONTHLY INSPECTION REPORT .....	F1123-B .....	1-9

## SECTION II

### CRANE SYSTEMS AND TROUBLESHOOTING

SAFETY SYSTEM.....	F1115-F .....	2-3
ELECTRIC HOIST .....	F1239-0 .....	2-4
HYDRAULIC SYSTEM FOR ELECTRIC CRANE .....	F1145-C .....	2-5
N/A .....	N/A .....	2-7
TROUBLESHOOTING SAFETY SYSTEM .....	F1254-A .....	2-8
TROUBLESHOOTING ELECTRIC HOIST .....	F1243-A .....	2-9
TROUBLESHOOTING HYDRAULIC PUMP .....	F1255-B .....	2-11
RADIO/CAN REMOTE CONTROL SYSTEM .....	F2252-0 .....	2-12

## SECTION III

### CRANE SPECIFICATIONS

LIFTING CAPACITIES .....	F1816-0 .....	3-1
POWER FUNCTIONS AND SPEEDS .....	F1816-0 .....	3-1
BOLT AND LUBRICATION SPECS.....	F1816-0 .....	3-2

## SECTION IV

### PARTS

BOX PARTS LIST .....	F2225-A .....	4-1
CRANE ASSEMBLY .....	DWG.26956-0 .....	4-2
WIRELESS TRANSMITTER .....	DWG.26682-0 .....	4-3
WIRELESS RECEIVER .....	DWG.26683-0 .....	4-4
TRAVEL BLOCK ASSEMBLY .....	DWG.22532-D .....	4-5
BAIL ATB ASSEMBLY .....	DWG.58418-A .....	4-6
BOOM-BODY ASSEMBLY .....	DWG.26955-0 .....	4-7
ELEVATION CYLINDER ASSEMBLY .....	DWG.21209-B .....	4-8
BODY ASSEMBLY .....	DWG.26943-C .....	4-9
MANIFOLD ASSEMBLY .....	DWG.24552-A .....	4-10
HYDRAULIC PUMP .....	DWG.50624-E .....	4-11
BASE-HOUSING ASSEMBLY .....	DWG.26942-A .....	4-12
ROTATION COMPONENTS.....	DWG.50832-0 .....	4-13
ELECTRIC SWIVEL .....	DWG.50754-0 .....	4-14



# TABLE OF CONTENTS

USERS MANUAL P/N 26962

3612X 9-15ft; WIRELESS CONTROLS

15 FT BOOM

E-STOP, PRESSURE GAUGE, HORN & VOLT METER

BAIL ATB on left side.

BOOM ASSEMBLY – 9-15 FT .....	DWG.26954-0 .....	4-15
BOOM INNER ASSEMBLY – 9-15 FT .....	DWG.26953-0 .....	4-16
WINCH DRAWING.....	DWG.23872-C .....	4-17
WINCH COMPONENTS.....	DWG.23872-C .....	4-18
ELECTRICAL WIRING HARNESS .....	DWG.26957-B .....	4-19
ELECTRICAL SCHEMATIC .....	DWG.50866-0 .....	4-20
DECAL DIAGRAM.....	DWG.58395-0 .....	4-21

WARRANTY.....	F1442-A
---------------	---------



F2224-C  
06/12/15

HOUSTON, TEXAS  
FAX: (800) 824-5559 (USA & Canada)  
FAX: (713) 688-6324  
PHONE: (713) 688-5533  
[www.liftmoore.com](http://www.liftmoore.com)

## CRANE SAFETY RULES

### CAUTION!

1. READ AND UNDERSTAND OPERATOR'S MANUAL.
2. INSPECT VEHICLE AND CRANE, INCLUDING ITS OPERATION BEFORE DAILY USE.
3. USE THIS EQUIPMENT ONLY ON SOLID LEVEL GROUND WITH OUTRIGGERS OR JACKSTANDS PROPERLY SET.
4. BEFORE OPERATING THE CRANE REFER TO MAXIMUM LOAD CHART ON CRANE FOR OPERATING LOAD LIMITS.
5. BE SURE LOAD BEING LIFTED IS WITHIN SAFE WINCH CAPACITY AS WELL AS SAFE CRANE CAPACITY. MULTI-PART LINE OPERATION IS REQUIRED WHEN SINGLE LINE LOAD CAPACITY OF WINCH IS EXCEEDED.
6. DO NOT OPERATE, WALK, OR STAND UNDER THE BOOM OR ANY SUSPENDED LOAD.
7. ALWAYS PAY OUT LOAD LINE BEFORE EXTENDING BOOM. WIRE ROPE DAMAGE AND / OR BREAKAGE MAY OCCUR.
8. BOOM MUST BE IN ITS REST BEFORE MOVING VEHICLE.
9. BOOM TIP MUST BE DIRECTLY OVER THE LOAD BEFORE ANY LIFTING IS STARTED. DO NOT DRAG LOADS WITH THIS CRANE.
10. MAINTAIN THIS CRANE AS REQUIRED IN THE OWNER'S MANUAL.
11. DO NOT ALLOW PERSONNEL TO RIDE ON THE LOAD LINE, LOAD, OR BOOM OF THIS CRANE.
12. IT IS UNLAWFUL TO OPERATE THIS EQUIPMENT WITHIN TEN FEET OF HIGH VOLTAGE LINE



THIS PAGE INTENTIONALLY LEFT BLANK



F1122-B  
05/12/08

HOUSTON, TEXAS  
FAX: (800) 824-5559 (USA & Canada)  
FAX: (713) 688-6324  
PHONE: (713) 688-5533  
[www.liftmoore.com](http://www.liftmoore.com)

## INTRODUCTION

This crane is a powerful machine designed to lift and move heavy loads. There are many hazards associated with these operations. Liftmoore has designed this crane to be as safe as possible but -

**IT IS THE OPERATOR'S RESPONSIBILITY TO PREVENT ACCIDENTS!**

This takes pre-planning, attention, and knowledge of basic principles and rules. Even if you have used similar cranes, reading this manual in its entirety will help prevent damage, injury, or even loss of life; benefits well worth the short amount of time it takes to read these pages.

### REGULATORY AUTHORITY

Use of this crane is governed by OSHA 29 CFR 1910.180 and may be governed by other federal, state, or local regulations.

**IT IS THE OPERATOR'S RESPONSIBILITY TO UNDERSTAND AND COMPLY WITH ALL APPLICABLE REGULATIONS GOVERNING THE OPERATION, INSPECTION, AND MAINTENANCE OF THIS CRANE.**

Personnel should be trained, tested, and certified, as recommended by OSHA and ANSI standards, before operating this crane.

### USING THIS MANUAL

This manual assumes that the crane is mounted on a typical service body type or similar truck, which is powered by the vehicle electrical or hydraulic system, and is controlled by either the standard pendant control or FM radio control sold by Liftmoore, Inc.

This manual is supplied to provide basic guidelines for the safe use, routine maintenance, and general inspections of this crane.

This manual is supplied to provide basic guidelines for the safe use, routine maintenance, and general inspections of this crane.

Laws, regulations, standards, or policies may be more restrictive than this manual. If a conflict exists for any limit or condition, the safest or most prohibitive shall be used. Under no circumstances shall the load, moment, or stability ratings be exceeded.

Pay particular attention to the following:

**WARNING!** – Draws attention to hazards, conditions, or procedures that if not observed could result in injury or death.

**CAUTION!** – Draws attention to hazards, conditions, or procedures that if not observed could result in damage to the crane, load, or other equipment. Equipment failure could in turn lead to injury or death.

**NOTE!** – Draws attention to conditions or procedures that are essential to emphasize.

For questions, interpretations, or to report errors, please contact Liftmoore, Inc, Engineering Dept.



## OPERATING PRACTICES

### OPERATING RESTRICTIONS

#### DUTY CYCLE

For Electric Cranes the duty cycle time should be limited to 10%. This is limited by heat buildup in the motors and declining charge in the batteries. (Installing extra batteries near the crane helps keep the voltage at maximum.)

#### PERSONNEL

LIFTING OR MOVING OF PERSONNEL IS STRICTLY PROHIBITED! This crane was neither designed nor intended to lift personnel. Under no circumstances should anyone be allowed to ride on the crane, line, or load. All non-essential personnel must be kept away when using the crane. The load must never be moved over people, nor must anyone be allowed to pass or stand under a suspended load.

#### ELECTRICAL LINES

Consult ANSI B30.5 for operating procedures, minimum safe distances, and prohibited zones when working around electrical lines or poles.

When operating near electrical power lines, the crane must be positioned so that the distance from the crane to the lines or poles is equal to or greater than the length of the fully extended boom plus the minimum safe distance required.

All parts of the crane, line, and load must be kept a minimum safe distance from electrical power lines and poles. This distance is 10 feet for electrical lines carrying 50kV or less.

**UNDER NO CIRCUMSTANCES SHOULD A CRANE BE OPERATED UNDER ELECTRICAL POWER LINES.**

#### SETUP

**POSITION** The vehicle must be positioned so that the load is kept as close to the crane base as possible to reduce the moment on the crane. Consideration must be given to starting and ending position as well as firmness and slope of the ground and any obstructions.

**OUTRIGGERS** The outriggers or jack-stands must be firmly set and the vehicle as level as possible. This will reduce the stresses on the rotation drive and keep the load off the vehicle's suspension. Keep in mind that the weight on the vehicle will shift as the crane and load is rotated.

**MANUAL BOOM EXTENSION** If the manual extension part of the boom is needed, it must be extended and the boom pin placed in the required position. Insert the pin and replace the pin's hairpin keeper before attempting to lift any load.

**LOAD LIMIT** The operator must understand the crane load chart. The operator must ensure that the load is within the load limits over the entire range which it will be moved. Be sure to include the weight of any lifting devices including the travel block.

The load limit chart is attached to the side of the crane to aid the operator.

The boom angle indicator and chart aids the operator in determining the load capacity at various boom angles and extensions. It also gives the load limit at that configuration.

**STABILITY** A stability chart must be posted near the crane. The operator must understand the stability chart. The crane may be de-rated over some areas of its operating radius.



**TRAVEL BLOCK** The operator must determine if the load is within the single line compatibility of the winch or if a multi-part line configuration is needed.

**REEVING** Ensure the proper routing of the rope through the sheaves and travel block. The rope must lie in the sheave groove and must not rub against any metal objects.

Ensure the rope is correctly wound on the winch drum. The crane assembly drawing will indicate if the rope must be wound over the top or bottom of the drum. The rope must never contact any part of the winch mounting.

### **WARNING!**

If the winch winding direction is reversed the brake will not work and the load will fall.

### **CRANE POWER**

Before operating the crane turn ON power switch (Normally located under the crane) and twist to release E-Stop switch.

Push in E-Stop switch to turn OFF when the crane is no longer in use. Twist to release, hydraulic will not function if E-Stop button is pushed in.

### **ATTACHING THE LOAD**

**POSITION** The boom tip must be moved over the load before lifting so that it will be lifted straight up.

### **CAUTION!**

Never drag a load with the crane. Dragging a load puts very high stresses on the crane for which it was not designed.

**ROPE** Check the rope condition to ensure it is not frayed or damaged. Ensure that the rope is not kinked and that it does not contact any sharp edges or make any sharp bends.

If using double line configuration, ensure that the lines are not twisted.

### **CAUTION!**

Never wrap the hoist rope around the load! Serious damage to the rope WILL occur.

**HOOK** Always make sure the load is applied to the throat of the hook. Never use a bent hook.

### **CAUTION!**

Always lift with the throat of the hook. Never lift with the load applied to the tip of the hook. Doing so will bend the hook.

**SLINGS** If the load does not have a lifting eye, use a nylon, chain, or other type of sling designed for lifting and rated for loads greater than that being lifted.

**BALANCE** Ensure the load will be secure and balanced when lifted. Ensure that the load cannot shift in the sling and that the sling cannot slide across the hook should the load become unbalanced.



### **LIFTING THE LOAD**

Before lifting, ensure that the load is free from all mountings and is no way attached or stuck to anything.

Ensure that at least five full wraps remain on the winch drum at all times.

Test the winch brake by lifting the load a few inches and ensuring that it does not slip.

### **HOLDING THE LOAD**

The operator must keep the load in sight at all times once it is lifted.

The operator must never leave the controls once the load is lifted.

The operator must ensure that no one is allowed to pass or stand under a suspended load.

### **CAUTION!**

Never move the vehicle with a suspended load. Doing so will put dynamic loads on the crane for which it was not designed.

### **MOVING THE LOAD**

Before moving the load, make sure the path is free of any obstructions or people.

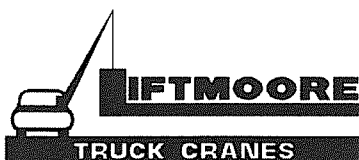
Avoid sudden accelerations or stops. Speeds must be kept to a minimum, especially rotation, to keep the load from swinging.

Avoid sudden reversing of direction. Do not reverse direction while the load is still moving.

Make sure that no part of the crane, boom, or load makes contact with any obstruction or comes within a minimum of ten feet from any electrical line.

### **TRANSIT**

While in transit, the crane must be stowed, preferably in a boom rest. The crane must be prevented from rotating and the hook prevented from swinging.





## INSPECTION AND MAINTENANCE

OSHA and ANSI require frequent and periodic inspections. Records of these inspections must be kept readily available. Liftmoore requires periodic maintenance to ensure proper operation and prolonged life of the crane.

### INSPECTION

#### DAILY INSPECTION

OSHA 29CFR 1910.180 (d)(2)(i) requires the following be checked daily prior to use:

- All control mechanisms for maladjustment interfering with proper operation as well as for excessive wear of components and contamination by lubricants or other foreign matter.
- All safety devices for malfunction. This should include the anti-two block and pressure switch.
- Deterioration or leakage in air or hydraulic systems.
- Crane hooks with deformations or cracks. For hooks with cracks or having more than 15 percent in excess of normal throat opening or more than 10 deg. twist from the plane of the unbent hook.
- Electrical apparatus for malfunctioning, signs of excessive deterioration, dirt, and moisture accumulation. This should include the battery terminals, master disconnect switch, electrical swivel
- The wire rope shall be replaced if any of the following conditions are noted:
  - Kinking, crushing, bird-caging, or other damage
  - Reductions from nominal diameter of more than one-sixty-fourth inch for diameters up to and including five-sixteenths inch, one-thirty-second inch for diameters three-eighths inch to and including one-half inch.
  - Thimble is not in place or is damaged
  - Any evidence of heat damage
  - Six or more randomly distributed broken wires in 1 lay
  - Three or more broken wires in 1 strand in 1 lay

#### MONTHLY INSPECTION

A thorough inspection of all ropes in use shall be made at least once a month and a certification record which includes the date of inspection, the signature of the person who performed the inspection and an identifier for the ropes shall be prepared and kept on file where readily available. All inspections shall be performed by an appointed or authorized person. Any deterioration, resulting in appreciable loss of original strength shall be carefully observed and determination made as to whether further use of the rope would constitute a safety hazard. Some of the conditions that could result in an appreciable loss of strength are the following:

- Reduction of rope diameter below nominal diameter due to loss of core support, internal or external corrosion, or wear of outside wires.
- A number of broken outside wires and the degree of distribution of concentration of such broken wires.



- Worn outside wires.
- Corroded or broken wires at end connections.
- Corroded, cracked, bent, worn, or improperly applied end connections.
- Severe kinking, crushing, cutting, or unstranding.

#### PERIODIC INSPECTION

An Annual Inspection Form is included in this manual. OSHA 29CFR 1910.180 (d)(2)ii) requires periodic inspections of this crane. Liftmoore recommends an annual inspection using the included form.

#### MAINTENANCE PRECAUTIONS

The crane should be maintained monthly for safety reasons and to reduce stress on the crane.

#### WARNING!

Never perform any maintenance while the crane has any type of load on it. Use the manual operation procedure to lower the load if necessary.

#### WARNING!

Hydraulic cylinders may have high pressure stored in them even after hydraulic power is removed.

The counterbalance and pilot operated check valve in the cylinder will always hold some pressure in the cylinder. Slightly extending the cylinder then retracting a small amount will relieve most of the pressure in the cylinder. **DO NOT DEADHEAD THE CYLINDER!** This will store the maximum amount of pressure in the cylinder. Care should be taken when either valve is removed from the cylinder as some pressure will still remain.

After any maintenance has been performed the crane shall not be operated until all guards have been reinstalled, all safety

devices reactivated, and maintenance equipment removed.

**LUBRICATION** Refer to the crane specification section for the periodic maintenance schedule and type of lubrication required.

**BOLTS** Bolts may loosen over time due to vibration; therefore they should be checked periodically. If bolts need to be replaced, make sure they are replaced with bolts of equal or greater strength. Check the periodic maintenance schedule (Crane Specification Section) for bolt specification and torque.

#### NOTE!

Sheave and boom and cylinder pivot bolts are not standard bolts. The shank and thread length of these bolts have been modified so that they do not pivot on the threads. Consult the parts section of this manual for part numbers of these bolts.

#### OTHER MAINTENANCE

Refer to parts drawings for any specific maintenance or adjustment procedures such as hydraulic winch brake, rotation drive gear set adjustment, Ect.



## MONTHLY INSPECTION REPORT

Crane Model No. \_\_\_\_\_ Serial Number \_\_\_\_\_

- Are Boom Hitch Pins and Keepers in place? Yes \_\_\_\_\_ No \_\_\_\_\_
- Wire Line Hook with Safety Latch Working? Yes \_\_\_\_\_ No \_\_\_\_\_
- Is Hook OK, (Not bent)? Yes \_\_\_\_\_ No \_\_\_\_\_
- Is Thimble on Wire Rope OK? Yes \_\_\_\_\_ No \_\_\_\_\_
- Is Traveling Block in use? Yes \_\_\_\_\_ No \_\_\_\_\_
- Is Wire Rope OK, not kinked or frayed? Yes \_\_\_\_\_ No \_\_\_\_\_
- Are all Boom Sections straight? Yes \_\_\_\_\_ No \_\_\_\_\_
- Are Sheave Bolts in place and tight? Yes \_\_\_\_\_ No \_\_\_\_\_
- Do all Sheaves rotate easily? Yes \_\_\_\_\_ No \_\_\_\_\_
- Are Mounting Bolts tight? Yes \_\_\_\_\_ No \_\_\_\_\_
- Is Anti Two-Block functioning properly? Yes \_\_\_\_\_ No \_\_\_\_\_
- Is Boom Angle Indicator in place and functioning and is Chart legible? Yes \_\_\_\_\_ No \_\_\_\_\_
- Are Cylinder Mounting Bolts secure? Yes \_\_\_\_\_ No \_\_\_\_\_
- Are Winch Mounting Bolts tight? Yes \_\_\_\_\_ No \_\_\_\_\_
- When stopped does winch drift less than 1.0 Inches? Yes \_\_\_\_\_ No \_\_\_\_\_
- Is Load Chart in place and easily read? Yes \_\_\_\_\_ No \_\_\_\_\_
- Are functions on Pendant operating correctly? Yes \_\_\_\_\_ No \_\_\_\_\_
- Is Hydraulic Reservoir full? Yes \_\_\_\_\_ No \_\_\_\_\_
- Is Outrigger straight and functioning? Yes \_\_\_\_\_ No \_\_\_\_\_

Any items checked 'No' must be repaired before using this crane.



THIS PAGE INTENTIONALLY LEFT BLANK



HOUSTON, TEXAS  
FAX: (800) 824-5559 (USA & Canada)  
FAX: (713) 688-6324  
PHONE: (713) 688-5533  
[www.liftmoore.com](http://www.liftmoore.com)

THIS PAGE INTENTIONALLY LEFT BLANK



HOUSTON, TEXAS  
FAX: (800) 824-5559 (USA & Canada)  
FAX: (713) 688-6324  
PHONE: (713) 688-5533  
[www.liftmoore.com](http://www.liftmoore.com)

THIS PAGE INTENTIONALLY LEFT BLANK



HOUSTON, TEXAS  
FAX: (800) 824-5559 (USA & Canada)  
FAX: (713) 688-6324  
PHONE: (713) 688-5533  
[www.liftmoore.com](http://www.liftmoore.com)

## SAFETY SYSTEM

The safety system is designed to help prevent damage to the crane that would be caused by overload or two-blocking. The system consists of a load sensor, anti-two block device (optional on smaller, electric cranes), and limiting system control board.

When the applicable switch detects an overload or two-block condition, the limiting system will prevent activation of winch up, boom down, and extend out since these directions would cause damage. Winch down, boom up, extend in, and power rotation will still function so that the crane can be moved to a safe configuration.

### CAUTION!

Never de-activate or override safety functions. Doing so can result in serious damage to the crane and possibly injury or death.

### LOAD SENSOR

A pressure activated switch in the elevation cylinder acts as a load sensor. This switch is normally closed and opens at the preset pressure corresponding to the load rating of the crane.

### CAUTION!

The load sensor will not function when the elevation cylinder is fully retracted and is inaccurate when the boom is below horizontal.

### CAUTION!

The operator must never rely strictly on the load sensor to determine overload conditions. The load and load limits must always be known and adhered to.

### ANTI-TWO BLOCK

The anti-two block device (optional on smaller electric cranes), mounted on the boom crown plate, consists of a normally open switch actuated by a lever. A weight is attached to the lever and holds the switch

closed. If the weight is lifted by the hook or travel block the switch opens.

The power and signal wires are wired through the cord reel, which is in turn wired to the ATB switch.

### LIMITING SYSTEM CONTROL

The limiting system control prevents output of winch up, boom down and extend out if it is not receiving a signal from either the ATB or load sensor.

The ATB does not trip boom down when winch is mounted on the boom.

There is a one second delay before deactivation of boom down when the load sensor is tripped to prevent false readings caused by pressure spikes.

## MISCELLANEOUS

### UP LIMIT SWITCH

The up limit switch prevents the elevation cylinder from reaching full extension. If the elevation cylinder were to "dead-head", the resulting pressure would activate the load sensor, preventing boom down. The boom would then have to be lowered using the manual operation buttons on the solenoid valves.

### CIRCUIT BREAKER, FUSE

For electric cranes a 150 Amp circuit breaker is supplied with the crane. It should be installed as close to the battery as possible. For hydraulic cranes a 10 Amp blade type fuse is supplied.

### DISCONNECT SWITCH

A power disconnect switch is supplied with the crane. Power to the crane should be turned off whenever not in use. This is to prevent inadvertent or unauthorized use and will help prevent corrosion at electrical connections.



## ELECTRIC HOIST

Permanent Magnet Motor

This Liftmoore crane features an electrically driven planetary gear hoist. The hoist is powered in both directions and features an automatic internal brake to positively control the load.

The hoist is permanently lubricated at the factory. Barring damage or part replacement, no further lubrication is necessary.

### MOTOR

The hoist motor is a permanent magnet, reversible, direct current (DC) motor.

#### CAUTION!

The hoist motor is rated for intermittent duty. Duty cycle is limited to 5 minutes in 30 to allow the motor to cool. Extended use can damage the motor.

#### CAUTION!

When the motor approaches stall, a very rapid heat build up occurs which can cause permanent motor damage. Discontinue use when the motor speed is reduced excessively by voltage drop or load.

### BRAKE

The hoist features a single acting, overrunning brake. It automatically activates to hold the load and assist in lowering the load.

#### WARNING!

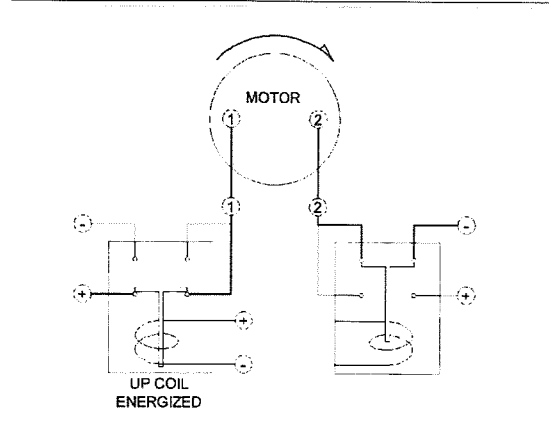
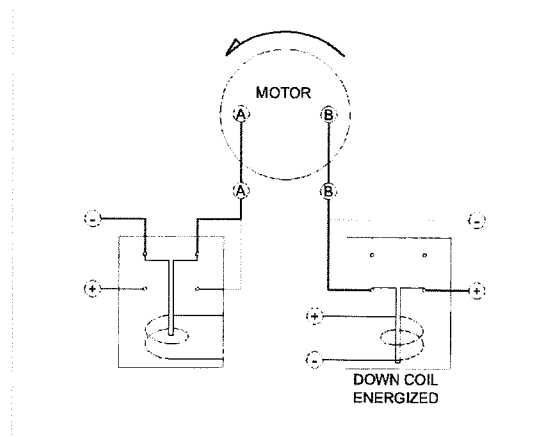
The hoist brake only functions in one direction. If the hoisting direction is reversed by reversing the rope winding direction the brake will not hold and the load will fall. Serious injury or death could occur.

The brake is factory set and is not adjustable. If the brake fails to hold the load or if downward drift becomes excessive the brake must be replaced.

### DIRECTIONAL CONTROL

Motor direction is controlled by either a solenoid pack or sealed contactor. Schematically, they are identical - two double pole-double throw solenoids are used to reverse polarity to the motor terminals.

Signal voltage, controlled by the pendant, energizes the selected directional solenoid, directing power to the winch terminal through the normally open terminal. The other terminal remains grounded through the normally closed terminal of the other solenoid.





## HYDRAULIC SYSTEM FOR ELECTRIC CRANES

The hydraulic system consists of the hydraulic pump, manifold, solenoid valves, cylinders, motors, and tubing and hoses. Hydraulic power is generated by the electrically driven hydraulic pump on the outside of the housing. The hydraulic system is plumbed in series so that more than one function can be operated simultaneously.

### PUMP

The hydraulic pump assembly consists of a DC permanent magnet electric motor, pump, and reservoir.

The motor is activated by the pump solenoid. The solenoid is energized by the pendant control whenever a hydraulic function is activated.

The pump provides fluid pressure to power hydraulic functions. The system incorporates an adjustable relief valve to prevent damage that can be caused by over pressurizing the system.

Fluid is drawn from and returned to the reservoir. Servicing the hydraulic pump consist of maintaining the oil level. The reservoir should be kept as full as possible to prevent condensation from forming inside the tank. Also ensure the oil is not contaminated by water, dirt, rust, etc. See crane specification sheet for hydraulic oil type.

### SOLENOID VALVES

Each hydraulically operated function is controlled by a 4-way, 3-position open center solenoid valve. It is electrically operated and spring biased to center. A manual operation button is incorporated in the coil-retaining nut. Valves are mounted to the series manifold.

### CYLINDERS

Most hydraulic cylinders are double acting cylinders with integrally mounted counterbalance valve and pilot operated check valves. Refer to the cylinder drawings for specific information.

All cylinders use a counter-balance load holding cartridge valve on the extend port.

This valve performs 3 functions:

- Controls the rate of decent when lowering the load
- Keeps load from falling in the event of sudden loss of system pressure, such as when a hose bursts.
- Acts as a relief valve to prevent damage from induced load or thermal expansion.

It allows free flow to extend then blocks flow until opened by pilot pressure to the retract port or when the relief pressure is reached.

Some cylinders utilize a pilot operated check valve on the retract port to prevent the cylinder from creeping out under no load conditions. This valve allows flow into, but prevents flow from the retract port, thus hydraulically locking the cylinder until opened by pilot pressure to the extend port.

### MOTORS

#### THE HYDRAULIC MOTOR USED BY THE ROTATION DRIVE IS A HIGH-TORQUE, LOW-SPEED CONSTANT DISPLACEMENT MOTOR. MANUAL OPERATION

If electrical problems occur the solenoid valves may be operated manually by depressing the manual operation button incorporated in the coil-retaining nut. Using a blunt object such as a bolt or screwdriver handle may be required to assist operation if high pressures are needed. Refer to the manifold drawing for function valves and directions.

If possible, activate the pump by activating a hydraulic function on the pendant. If this does not work, then energize the pump solenoid using a jumper from the hot side of



the solenoid to the coil post where the WHT/BLK wire is connected. If this fails also then battery voltage can be applied directly to the pump motor.

If hydraulic power is lost while a load is suspended, the load can be lowered by decreasing the setting on the counter-balance valve. This should only be done in extreme cases. The valve must be reset before the crane is returned to use.

**WARNING!**

The boom may fall if the adjustment is made too fast. Do not stand where the boom may hit you if it falls. Serious injury or death may result

**WARNING!**

The area between the boom and the cylinder, the boom and the housing, and the cylinder and the housing will change as the boom position changes and could form pinch points. Do not position any part of your body in these areas as it may be pinched or crushed as the boom lowers.

To decrease the setting, loosen the locknut on the valve, then slowly turn the adjustment stem **CLOCKWISE** until the load begins to lower. Count the number of turns so that the valve can be returned to its original setting.

Alternately, a pressure gage must be put on the retract port to adjust the setting so that approx. 1800 PSI is required to lower the boom with no load.

Test the setting by lifting a known load near the moment rating.



THIS PAGE INTENTIONALLY LEFT BLANK



HOUSTON, TEXAS  
FAX: (800) 824-5559 (USA & Canada)  
FAX: (713) 688-6324  
PHONE: (713) 688-5533  
[www.liftmoore.com](http://www.liftmoore.com)

## TROUBLESHOOTING SAFETY SYSTEM

DTCH Relay Card

To check functions controlled by the safety system check the status indicators. (See Relay Box Assembly drawing.) If only one of the safety functions is not working, activate that function and check for error codes and/or its output status indicator.

For non-FM systems, if the status indicator lights then the problem is in the wiring or in the solenoid coil. If the light does not illuminate, check the control pendant. If the control pendant is good then the crane control module needs to be replaced.

For FM systems, check for error codes. If none are present, see the FM Troubleshooting section.

If boom out, boom down and winch up are not working, confirm that the control board has power. Confirm that the board is receiving a signal from the ATB and load sensor.

If the error code is active, ensure that the crane is not overloaded and that the ATB lever is holding the switch closed. Check for voltage at the ATB and Load Sensor inputs.

### CHECK LOAD SENSOR SWITCH

If the load sensor input is not receiving voltage, locate the load sensor connector inside the crane housing. The plug side will have a red wire and a gray wire, the receptacle side will have a red and a white wire.

Disconnect and check for continuity between the two pins on the receptacle (switch side). If there is no continuity then the load sensor is bad and needs to be replaced.

### CHECK ATB SWITCH

If the ATB input is not receiving voltage remove the ATB housing cover and disconnect the connector. Check for continuity on the switch side. Lifting the weight should break the continuity. If either of these conditions is incorrect the switch is bad and needs to be replaced.

### CHECK CORD REEL

Check the ATB switch if not done so already. Locate the ATB connector inside the crane housing. The plug side will have a red wire and a black wire. The receptacle side will have a white wire and a black wire.

Disconnect the plug going to the switch. Check for continuity between the two pins on the receptacle. Have someone lift the weight on the ATB and continuity should be broken. If either of these conditions are incorrect then the cord reel is bad and needs to be replaced.

### CHECK POWER TO SAFETY SWITCHES

If the safety switch is good, check for voltage at pin 1 (the red wire) on the plug. If there is no voltage, follow the wire back to the 6-pin power distribution plug, checking for breaks or shorts.

Remove the power distribution receptacle (cap).

### NOTE!

Removing the cap will disconnect power to all electrical components. Be sure to replace the cap before continuing.

Check the cap for bent pins. Check that all wires are fully seated in the plug. If they are not, then remove the green locking wedge and push the wires forward until seated. Reinstall the wedge ensuring that no wires are pushed back.



## TROUBLESHOOTING ELECTRIC HOIST

Permanent Magnet, Contactor Controlled

### IMPORTANT NOTE!

The importance of first physically checking every connection between the battery and the crane cannot be overstressed!

Poor connections or poor grounding account for a large percentage of hoist problems. Time is often wasted chasing other probable causes only to eventually find a loose or corroded connection. **Measuring the voltage is not sufficient.** Often a poor connection will allow enough amperage to operate a meter or test light, but not enough to operate the hoist, which requires very high amperage.

If the problem is random and intermittent then it is almost assuredly a loose or bad connection.

Another common problem is low battery voltage. Even if the battery is good when troubleshooting begins, running the winch can quickly drain a battery. If it can be done safely, it is best to have the vehicle running.

Also check the control socket and plug for bent, corroded, or dirty pins.

### CAUTION!

As the motor approaches stall, due to low voltage or excessive load, a very rapid heat build up occurs which will quickly damage the motor. If the motor is not turning, do not operate the switch for more than a second. Allow the motor to cool between attempts to make it run.

## HOIST OPERATES IN ONLY ONE DIRECTION

If the hoist only operates in one direction swap the control wires on the contactor.

Activating the pendant switch in the working direction should now operate the hoist in the previous non-working direction.

**Example:** if hoist up is not working, after swapping the control wires activating the hoist down switch should cause the hoist to go up.

If it does then the hoist and contactor are working correctly and the problem is in the pendant crane socket or wiring. If it does not then the problem is the contactor or brake.

If the motor tries to turn but stalls then the problem is most likely the brake. Also, if the contactor makes a clicking noise then that is a good indication that it is working and, again, the problem is most likely the brake.

If the control wires were swapped in the previous step, return them to their original positions. Swap the motor wires (labeled 1 and 2). It is usually easiest to swap them at the motor.

Activating the pendant switch in the working direction should now operate the hoist in the previous non-working direction.

**Example:** if hoist up is not working, after swapping the motor wires activating the hoist down switch should cause the hoist to go up.

If it does, then one side of the contactor is not working and it needs to be replaced.

If it does not work, the problem is a brake malfunction. Inspect the brake installation. Correct any problems found. The brake cannot be repaired. Replace if any damage is found.



## HOIST DOES NOT RUN IN EITHER DIRECTION

If the hoist does not run in either direction then the problem is either lack of power to the control socket or pendant, lack of sufficient power to the motor, or hoist brake malfunction or motor failure.

If the contactor clicks when the switch is activated then the control socket is getting power.

If all connections have not been checked, do so now. Also ensure that the battery still has sufficient power. As a rule of thumb, if it has enough power to start the engine, then it is good.

Activate the winch toggle switch and check for voltage at motor contacts. If positive voltage is measured at both terminals, the problem may be the ground wire from the contactor. Check for tightness or corrosion on this wire.

Once sufficient power is ensured, if there is any indication that the motor is trying to turn but stalls the problem is the brake – have it replaced.

If there is no indication that the motor is trying to turn and the contactor has been tested, then replace the motor.

## TESTING THE PENDANT AND CONTROL WIRING

If the problem is narrowed to the control wiring, it is most likely caused by a cut or disconnected wire. A visual inspection of the

wiring should be made and repairs made as necessary.

Refer to the schematic and pendant drawing for pin functions and locations.

If no visual defects are found and if a continuity tester is available, disconnect the pendant and check for continuity between the control socket pin and terminal at the contactor.

Alternately, a piece of wire or metal object may be used to short between the control socket power pin and the socket hoist pin(s). If the hoist operates then the problem is in the pendant.

If not, check for power at the control socket power pin. If there is no power, trace the wiring back, checking each connection until the problem is found. Correct as necessary.



## TROUBLESHOOTING HYDRAULIC PUMP

Electric Pump, 14P Socket

### IMPORTANT NOTE!

The importance of first physically checking every connection between the battery and the crane cannot be overstressed!

Poor connections or poor grounding account for a large percentage of electrical problems. Time is often wasted chasing other probable causes only to eventually find a loose or corroded connection. **Measuring the voltage is not sufficient.** Often a poor connection will allow enough amperage to operate a meter or test light, but not enough to operate the motor, which requires very high amperage.

If the problem is random and intermittent then it is almost assuredly a loose or bad connection.

Another common problem is low battery voltage. Even if the battery is good when troubleshooting begins, running the motor can quickly drain a battery. If it can be done safely, it is best to have the vehicle running.

Also check the control socket and plug for bent, corroded, or dirty pins.

### CAUTION!

As the motor approaches stall, due to low voltage or excessive load, a very

rapid heat build up occurs which will quickly damage the motor. If the motor is not turning, do not operate the switch for more than a second. Allow the motor to cool between attempts to make it run.

### FOAMY FLUID

If the fluid foams then the problem is the pump seal – have it replaced.

### PUMP DOES NOT RUN

If both the pump and winch are not working, the problem is power related or control wiring related. Troubleshoot those areas first.

If the solenoid is actuating it will make a clicking noise. If the solenoid is not clicking, check for power at the coil input (small screw terminal) on solenoid when the Boom Up switch is activated. If there is no power then the problem is the electrical wiring harness or pendant control wiring.(refer. to CONTROL TROUBLESHOOTING CHART).

If the coil is getting power when the switch is activated, but not clicking then the problem is most likely the solenoid.

If the solenoid is clicking check for full power input to the solenoid. Trace the wiring back to the crane input, checking for power at each connection until the problem is found. If full electrical power to the motor is confirmed then the motor is faulty and should be replaced.



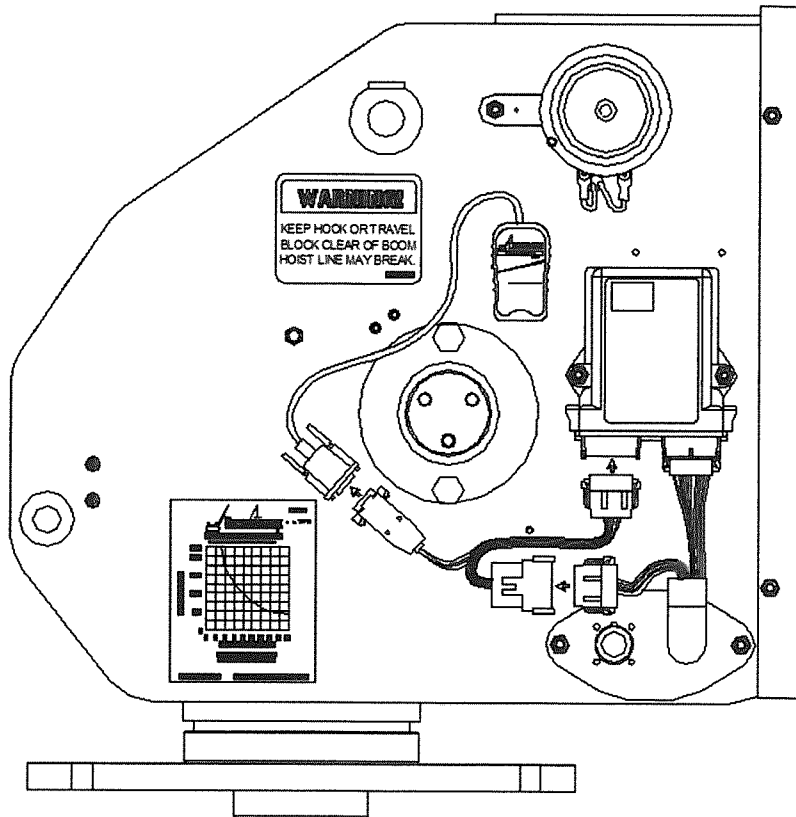
## GUIDER

RADIO/CAN REMOTE CONTROL SYSTEM  
INSTALLATION AND OPERATION MANUAL**STEP I****TRANSMITTER AND RECIVER SYNCHRONIZATION (SEE P/N 26946)**

1. USING WIRING HARNESS "A1035"
2. TURN THE TRANSMITTER AND RECEIVER OFF
3. PRESS AND HOLD **BOOM UP** AND **EXTEND IN** SWITCH THEN RELEASE THE **E-STOP**
4. RELEASE THE SWITCHES. LED<sub>S</sub> SHOULD BLINK AT THIS POINT
5. APPLY POWER TO RECIEVER. GREEN LED SHOULD GO FROM STEADY TO BLINKING ON THE TRANSMITTER
6. TEACH COMPLETE

**STEP II****CRANE SYSTEMS TROUBLESHOOTING USING DIAGNOSTICS TOOL (GATE)**

1. CONNECT HARNESS AND **GATE** TO CRANE AS SHOWN ON DIAGRAM BELOW
2. TURN ON POWER TO CRANE/RECEIVER
3. USE YOUR DEVICE AND LOOK FOR THE AVAILABLE WIFI NETWORK
4. CONNECT TO THE NETWORK "**LIFTMOORE3A359**"
5. ONCE CONNECTION IS COMPLETE GO TO WEB BROWSER EXAMPLE:  
INTERNET EXPLORER/GOOGLE CHROME/FIREFOX/IOS SAFARI
6. ENTER "**192.168.1.1**" IN ADDRESS BAR TO ACCESS MAIN SCREEN





# LIFTMOORE CRANES

## **GUIDER**

RADIO/CAN REMOTE CONTROL SYSTEM

**INSTALLATION AND OPERATION MANUAL**

# GUIDER REMOTE

## INDEX

<b>DESCRIPTION .....</b>	<b>2</b>
<b>OPERATION .....</b>	<b>3</b>
<b>INDICATOR LEDs .....</b>	<b>3</b>
<b>TRANSMITTER AND RECEIVER SYNCHRONIZATION .....</b>	<b>4</b>
<b>OUTPUTS.....</b>	<b>5</b>
<b>INPUTS .....</b>	<b>5</b>
<b>INSTALLATION .....</b>	<b>6</b>
<b>BEFORE APPLYING POWER! .....</b>	<b>7</b>
<b>USING THE OPTIONAL GATE INTERFACE.....</b>	<b>8</b>
<b>DIAGNOSTIC.....</b>	<b>9</b>
<b>CALIBRATION .....</b>	<b>10</b>
<b>HISTOGRAM.....</b>	<b>12</b>
<b>SOFTWARE UPDATE .....</b>	<b>13</b>
<b>GATE CONFIGURATION .....</b>	<b>14</b>
<b>GATE UPDATE .....</b>	<b>14</b>
<b>WIRING .....</b>	<b>16</b>
<b>ROUTINE MAINTENANCE.....</b>	<b>17</b>
<b>MAINTENANCE PRECAUTIONS .....</b>	<b>17</b>
<b>TROUBLESHOOTING.....</b>	<b>18</b>
<b>TROUBLESHOOTING CHART .....</b>	<b>19</b>
<b>ERROR CODES.....</b>	<b>20</b>
<b>TRANSMITTER PICTORIAL .....</b>	<b>22</b>
<b>RECEIVER PICTORIAL .....</b>	<b>23</b>
<b>SPECIFICATIONS .....</b>	<b>24</b>
<b>INSTRUCTION TO THE USER .....</b>	<b>25</b>

## GUIDER REMOTE

### DESCRIPTION

The GUIDER REMOTE is a state of the art microprocessor based Radio Frequency (RF) control system. It will provide the operator the ability to wirelessly operate equipment. The operator is required to follow all OSHA [www.osha.gov](http://www.osha.gov) and other applicable safety standards when operating the equipment. Do not use high power radio devices in close proximity of this product.

The remote control system consists of: the radio transmitter, main receiver module, engine receiver module, and associated optional equipment such as wiring harnesses and Gate interface tools.

The transmitter is equipped with pushbuttons and toggle switches for the various functions. It includes a port for wired control via the built-in Controller Area Network (CAN) system<sup>1</sup>. This unit runs on 4 AA alkaline batteries when wireless mode. When in wired mode, the transmitter runs with power supplied by the CAN cable. This is useful if the battery power gets too low to operate the transmitter but continued operation is needed.

The system's radio receiver has ON/OFF outputs to accommodate the functions available on the transmitter. All outputs are current-sourcing. It also includes a port for wired (CAN) and RS-232

---

<sup>1</sup> The CAN control will only work with the CRANE module. The ENGINE module only works on RF

## GUIDER REMOTE

communication for system diagnostics.

### OPERATION

Power must be applied to the receiver module for the system to work.

Releasing the E-STOP until the red and green LEDs appear will turn on the transmitter. Pressing the E-STOP button will turn off the transmitter. Pressing the E-STOP will turn off all outputs as a safety feature. If the transmitter goes out of range for more than 2 seconds, all outputs will turn off as a safety feature, the e-stop output will turn off after 10 seconds.

To save battery life, the transmitter will turn off after 15 minutes if no switches are pressed. The user must press

and release the E-STOP at this point to restore transmitter operation.

### INDICATOR LEDs

The transmitter has two indicators, the red BATTERY indicator and the green TRANSMIT indicator. The green TRANSMIT indicator blinks rapidly (2x/second in RADIO mode, 5x/second in CAN mode) whenever there is communication between the transmitter and the receiver. It will double-blink when no functions are used.

The red BATTERY indicator starts blinking once every second when the battery voltage is low. Replace the batteries at this point for continued operation.

If the **ATB Input** is off (ATB

## GUIDER REMOTE

error is present), the red and green LEDs on the transmitter will *blink alternately* while using a switch.

If the **OVERLOAD Input** is off (overload error is present), the red and green LEDs on the transmitter will *blink together* while using a switch.

The receiver module can identify problems with the system in the form of an error code. Check the display window on the receiver to diagnose system problems. Then, refer to the ERROR CODE CHART in this manual for explanation of the error codes. The green LED indicator will blink on the receiver during active operation.

## TRANSMITTER AND RECEIVER SYNCHRONIZATION

Each radio remote system is designed to operate with a unique radio ID code and RF channel sequence. Each receiver is programmed to respond *only* to the transmitter with the correct ID code/RF channel sequence for which it is set. This feature allows multiple systems to work in close proximity to one another without interference.

In the event that a transmitter becomes damaged and a new one is needed, the receiver can be reprogrammed to respond to the new transmitter. To teach the ID code to the receiver, use the following procedure. **\*Please note that if this procedure is interrupted before it has completed, the system may have intermittent operation:**

## GUIDER REMOTE

### TEACH BY CAN CABLE

1. Plug the CAN cable into the CAN port on both the receiver and transmitter and operate a function on the transmitter until the LEDs on the front panel go from steady to flashing for at least 5 seconds. The units will be synchronized at this point

### TEACH BY RF

1. Turn the transmitter and receiver off
2. Press and hold BOOM UP and EXTEND IN switches. Then release the E-STOP
3. Release the switches. LEDs should blink at this point
4. Apply power to the receiver. Green LED should go from steady to blinking on the transmitter
5. Teach complete

### **OUTPUTS**

Each of the outputs from the receiver module is designed with built-in short circuit and overload protection. The outputs can also detect a no-load or broken wire condition.

These error conditions are evident by the alphanumeric display on the receiver module *or* the HISTOGRAM page on the optional Gate.

The ON/OFF outputs will indicate an error under no load or broken wire status if NOT activated, and will detect a short IF activated.

### **INPUTS**

Two digital inputs are available for ATB and BOOM LIMIT signals. They will function up to battery voltage levels.

## GUIDER REMOTE

One optional combination digital/analog input is available for PRESSURE SWITCH or PRESSURE TRANSDUCER signals.

When in pressure switch mode, this input will accept up to battery voltage as an input level.

When in pressure sensor mode, this input will read 4-20mA sensors as 0-5V (0.88-4.4V operational) levels. The conversion is done in the receiver. Sensors which works directly with the system are available. Adjustments to accommodate non-standard sensors can be made using the optional Gate interface tool.

## INSTALLATION

Refer to the WIRING CHART in this manual for hookup of the harness.

To install the receiver module, use the two mounting holes provided on the enclosure to attach it in a vertical manner with the connectors facing down. Please take extra caution not to damage internal components while installing. For high vibration applications, use shock absorbing mounts. It is advised to mount the unit as high as possible, keeping clear of metal obstructions around the antenna which might affect RF performance. Antenna extension cables are available from LIFTMOORE to aid in this, if needed.

## GUIDER REMOTE

The main power to the receiver should be connected through a switched, fused line capable of a minimum of 20 amps. For best results, connect power (+) to the receiver via an auxiliary terminal of the ignition switch, PTO switch, or ignition relay. Be sure that the ground (-) is connected securely to the chassis or battery with a star washer which digs into the base metal to insure good contact.

All connections must be properly insulated to protect against shorts.

Seal all connections with a non-conductive silicone grease to prevent corrosion.

### **BEFORE APPLYING POWER!**

- Check power and ground for proper polarity.

- Check the wiring harness for possible shorts before connecting to output devices (i.e., valves and relays) by checking each mating pin terminal.
- Verify that the transmitter batteries are fresh. LIFTMOORE recommends using only alkaline type.
- Read the rest of this manual.



## GUIDER REMOTE

### SYSTEM TROUBLESHOOTING USING OPTIONAL GATE:

The LIFTMOORE GATE connects to the receiver/controller thru the RS232 diagnostic port.

**Note: To prevent electrical shorts and damage turn Receiver power off. Plug gate to the receiver then turn power on to the receiver.**

The GATE creates a Wi-Fi access point which allows you to connect to any device with Wi-Fi and web browser such as smart phones, pads or personal computers. It supports Google Chrome, Internet Explorer, Firefox and IOS Safari and allows user to

configure, diagnose and troubleshoot the system.



*Gate Diagnostic Tool*

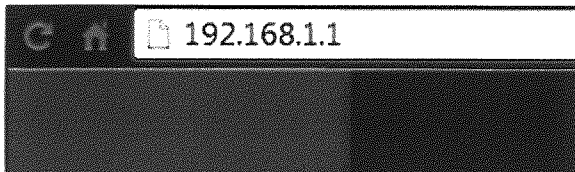
#### Accessing the control panel

1. Turn off power to the receiver.
2. Plug in the GATE to the receiver.
3. Turn on the power to the receiver. The power LED on the GATE will turn on at this point
4. Use your device and look for the available WiFi

## GUIDER REMOTE

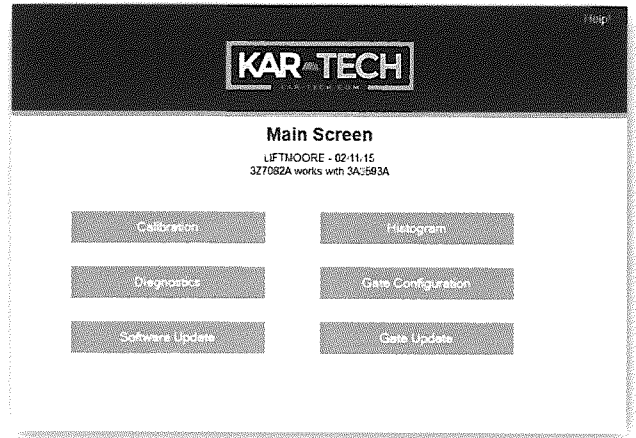
networks. A network under the name of "LIFTMOORE3A359" should be available at this point. Connect to the network, no password is required.

5. Once the connection is established, open a web browser on your device. Kar-Tech recommends using the Firefox browser.
6. Enter the address `http://192.168.1.1` in the address bar



*Address Bar*

7. The following options are available from the main screen.



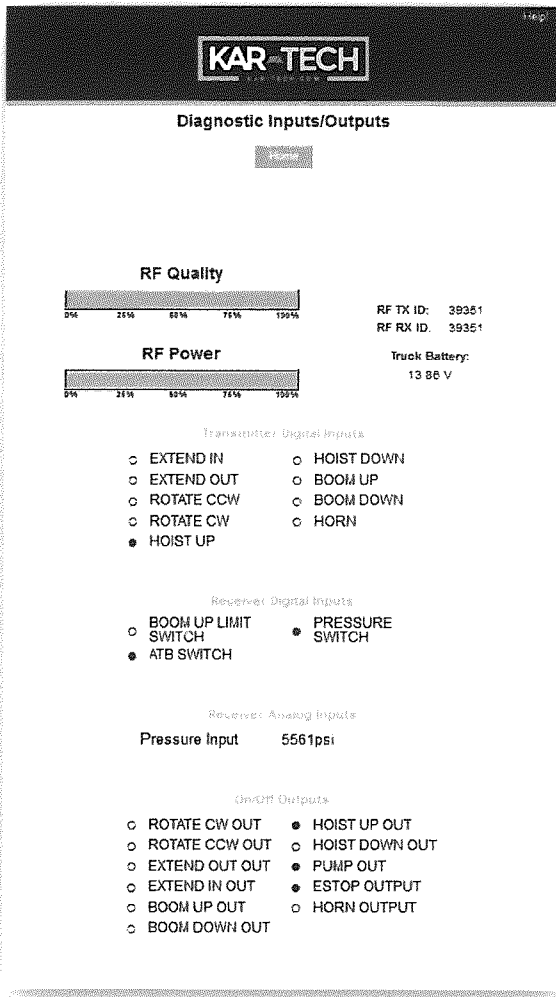
*Main Screen*

### DIAGNOSTICS

Tap the `Diagnostics` button to see the diagnostic screens, which shows the present state of remote communications, and system I/O.

When the round circle next to a label is dark, the corresponding ON/OFF input or output is sensed to be active or ON.

# GUIDER REMOTE



## Diagnosics

## CALIBRATION

To change the configuration of the unit, tap the Calibration icon.



## Calibration

The password to gain access to the calibration screens is 1262.

A series of checkboxes on the calibration page will change system functionality as follows:

1. ATB/BOOM DOWN - When the ATB/BOOM DN override is checked (enabled) and the ATB SWITCH INPUT is off, the HOIST UP and EXTEND

## GUIDER REMOTE

OUT outputs are disabled. When the ATB/BOOM DN override function is unchecked, the HOIST UP, EXTEND OUT, and BOOM DOWN outputs are disabled when the ATB SWITCH input is off (input should be *ON* under normal conditions). The factory setting for the LS disables the ATB SWITCH override.

2. PRESS SWITCH -  
Checking this box allows the OVERLOAD safety to be functional with a digital input (battery voltage). When the system senses the OVERLOAD input is off, the HOIST UP, EXTEND OUT, and BOOM DOWN functions are disabled (input should be *ON*

under normal conditions). Note: either PRESS SWITCH or PRESS TRANSDUCER must be checked.

3. PRESS TRANSDUCER -  
Checking this box disables PRESS SWITCH and allows the OVERLOAD safety to be functional with an analog input (0-5VDC). Make sure to press SAVE after checking this box. When the system senses the OVERLOAD input is beyond the set value, the HOIST UP, EXTEND OUT, and BOOM DOWN functions are disabled. When this checkbox is selected, it will invoke a drop-down list with the following sensor calibration parameters:

- a. Max Psi - The

## GUIDER REMOTE

maximum pressure that the sensor will read (default is 5000 PSI)

b. OVL Psi - The pressure at and above which senses an OVERLOAD condition (default is 3000 PSI)

c. Min Out - The minimum voltage the receiver will see from the sensor (default is 0.88V). Equivalent to 0 PSI

d. Max Out - The maximum voltage the receiver will see from the sensor (default is 4.4V) Equivalent to Max Psi

4. HYDRAULIC CRANE - Checking this box enables the pump output

to turn ON with the HOIST UP and HOIST DOWN outputs. Make sure to press SAVE after checking this box. The default is unchecked where the pump output will remain off when the HOIST UP or DOWN outputs are on.

Tap the Factory Settings button to return all outputs to standard values. Tap HOME to quit calibration and return to the main menu.

### HISTOGRAM

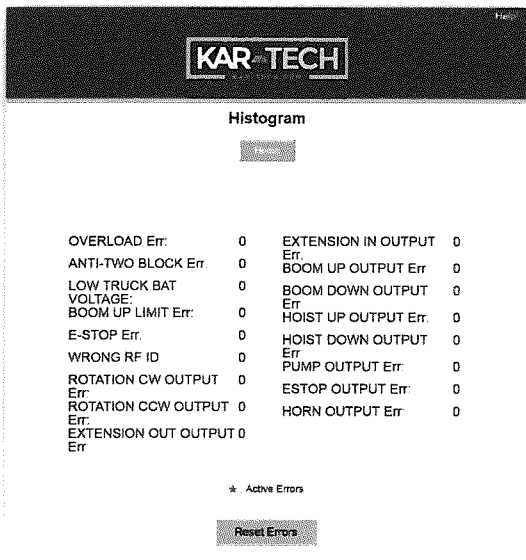
Tap the Histogram icon to see a set of screens that show which error codes are active and how many times the specific error code has been active.

This feature can be used to

## GUIDER REMOTE

troubleshoot machine wiring and other problems. Tapping the `Reset` button resets the error code counts. The password to reset error codes is 1262. Tapping `Next` and `Back` allows access to all the histogram pages. Tap the `Done` button to return to the main menu.

Note: the GATE is not a precision measurement instrument. There may be delays.



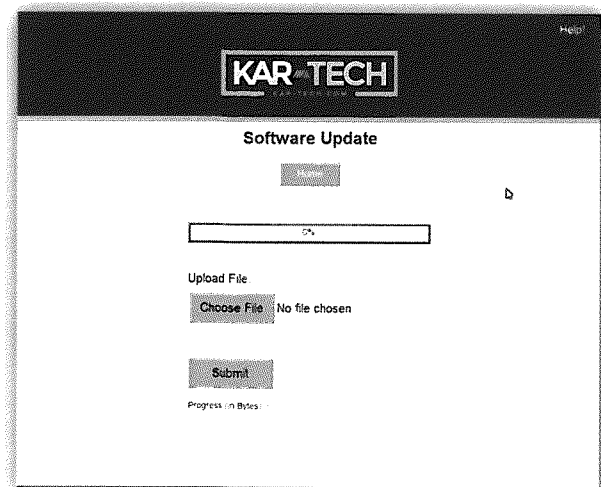
*Histogram Page*

## SOFTWARE UPDATE

Use the `Choose File` button to select new software on your device with which to program the receiver. Kar-Tech will have provided software in the .kar format. Once the file is selected, press the `SUBMIT` button to upload the file.

Note: This feature does not work on Apple mobile or tablet products.

Note: Do not turn the receiver or the GATE off during the upload process.



*Software Update*

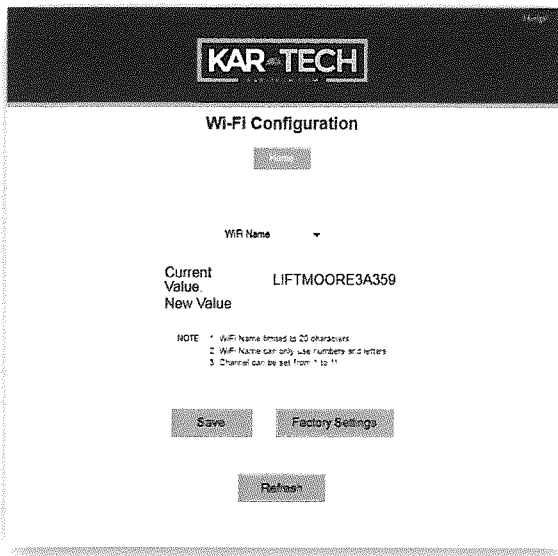
*Page*

## GUIDER REMOTE

### Gate Update

This page was designed to upload software that changes the product that the GATE interface works with.

Once the LOAD button is pressed the application on the GATE will be **deleted**.

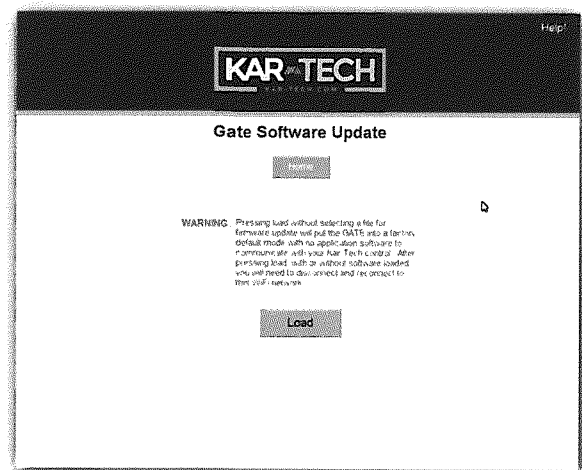


*Gate Configuration Page*

### Gate Configuration

This page allows you to change the name (SSID) of the WiFi network you are connecting to. Factory settings will rename the Wi-Fi to its original name.

Note: After changing the name, the user needs to disconnect and reconnect to the new WiFi network.

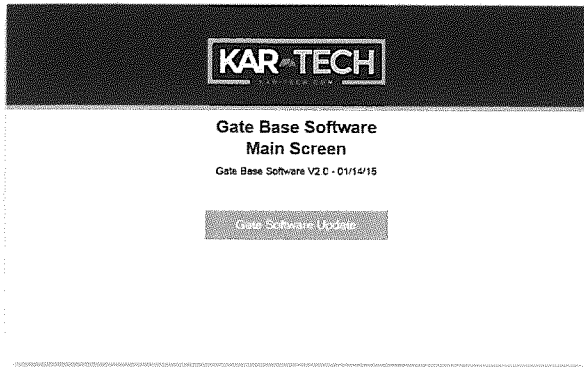


*Gate Update Page*

1. Select LOAD
2. Disconnect then reconnect to "LIFTMOORE3A359" network
3. Press HOME button
4. Screen below should be

## GUIDER REMOTE

shown:



5. Press Gate Software Update
6. Using Browse select proper .bin file
7. Press Submit
8. File will upload and say Success! When complete
9. Disconnect then reconnect to "LIFTMOORE3A359" network
10. Press HOME button
11. Update complete

Note: the GATE is not a precision measurement instrument. There may be some delays.



## GUIDER REMOTE

### WIRING

P1 - DEUTSCH DTM13-12PA

PIN	DESCRIPTION
1	GROUND
2	CANH
3	CANL
4	RS-232 TX
5	RS-232 RX
6	BOOM PRESSURE SWITCH INPUT
7	ANTI-TWO-BLOCK SWITCH INPUT
8	N/C
9	N/C
10	N/C
11	HORN OUTPUT
12	POWER (9-30V)

P2 - DEUTSCH DTM13-12PA

PIN	DESCRIPTION
1	ROTATION CW OUTPUT
2	ROTATION CCW OUTPUT
3	EXTEND OUT OUTPUT
4	EXTEND IN OUTPUT
5	BOOM UP OUTPUT
6	BOOM DOWN OUTPUT
7	HOIST UP OUTPUT
8	HOIST DOWN OUTPUT
9	PUMP OUTPUT
10	E-STOP OUTPUT
11	N/C
12	BOOM UP LIMIT SWITCH INPUT

### TRANSMITTER PORT

- A POWER**
- B GROUND**
- C CAN HIGH**
- D CAN LOW**
- E NO CONNECTION**

## GUIDER REMOTE

### ROUTINE MAINTENANCE

Clean transmitter regularly with a damp cloth and mild detergent.

Inspect electrical wiring for wear points or other damage. Repair as required.

Inspect all connections for looseness or corrosion. Tighten and/or "seal" as necessary.

### MAINTENANCE PRECAUTIONS

When performing any inspection or maintenance work on the remote system, always exercise care to prevent injury to yourself and others or damage to the equipment. The following are general precautions, which should be closely followed in carrying out any maintenance

work.

Do not have hydraulic power available to the valves when performing electrical tests.

Never operate or test any function if any person is in an area where they could be hurt by being hit or squeezed by the hydraulic equipment.

Turn power off before connecting or disconnecting valve coils or other electrical loads.

### **TROUBLESHOOTING**

This next section provides basic operator level troubleshooting for the GUIDER REMOTE system. If, after following these instructions, the system still does not function, contact your LIFTMOORE representative for further instructions or servicing.

## GUIDER REMOTE

### TROUBLESHOOTING CHART

<b><i>PROBLEM</i></b>	<b><i>SOLUTION</i></b>
No functions work	<ol style="list-style-type: none"><li>1. Verify transmitter power source – battery, CAN cable, external supply, etc</li><li>2. Verify that receiver control module power source is present at its input connector</li><li>3. Check for proper system ground</li><li>4. Check the receiver or control module LED status display for functionality or errors</li><li>5. Check the hydraulic system</li></ol>
Certain functions do not work	<ol style="list-style-type: none"><li>1. Check the wiring and connections from the receiver control module to the control module to the valve coil for the particular function that does not work</li><li>2. Check the receiver control module LED status display for possible fault or error indication</li><li>3. Check the hydraulic system</li><li>4. Check the electrical system</li></ol>
Functions operate intermittently	<ol style="list-style-type: none"><li>1. Check for loose connections at the valve coil</li><li>2. Check the receiver control module LED status display for functionality or errors</li><li>3. Check the receiver antenna for damage and possible obstructions</li><li>4. Check the hydraulic system</li></ol>

## GUIDER REMOTE

### ERROR CODES

ERROR	PROBABLE CAUSE
EC01	RF COMMUNICATION ERROR
OVL	OVERLOAD CONDITION
ATB	ANTI-TWO BLOCK (ATB SWITCH OFF)
RLV	LOW INPUT VOLTAGE TO RECEIVER
EC05	BOOM UP LIMIT (BOOM UP LIMIT ON)
ESTP	E-STOP CONDITION
EC07	WRONG RF ID
EC08	ROTATE CW OUTPUT ERROR
EC09	ROTATE CCW OUTPUT ERROR
EC10	EXTEND OUT OUTPUT ERROR
EC11	EXTEND IN OUTPUT ERROR
EC12	BOOM UP OUTPUT ERROR
EC13	BOOM DOWN OUTPUT ERROR
EC14	HOIST UP OUTPUT ERROR
EC15	HOIST DOWN OUTPUT ERROR
EC16	PUMP OUTPUT ERROR
EC17	E-STOP OUTPUT ERROR
EC18	HORN OUTPUT ERROR

#### Error code explanations:

- EC01** Transmitter is off  
Transmitter went to sleep mode  
Interference in RF communication link
- OVL** Overload condition based on Gate setting is present
- ATB** Anti-Two Block condition present
- RLV** System voltage is below 11V (12V system)
- EC05** Boom Limit input active
- ESTP** E-STOP button is pressed on the transmitter
- EC07** Transmitter and receiver are not synchronized
- EC08-18** Short or open load/coil on output

## GUIDER REMOTE

### PARTS LIST

<i><b>PART NUMBER</b></i>	<i><b>DESCRIPTION</b></i>
<b>26682</b>	RADIO TRANSMITTER
<b>26683</b>	RADIO RECEIVER
<b>26684</b>	OPTIONAL GATE DIAGNOSTIC TOOL

There are no user-serviceable parts inside the transmitter or the receiver. Return the units for service.

Note: For operation with negative ground systems only.

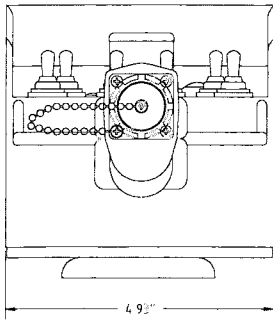
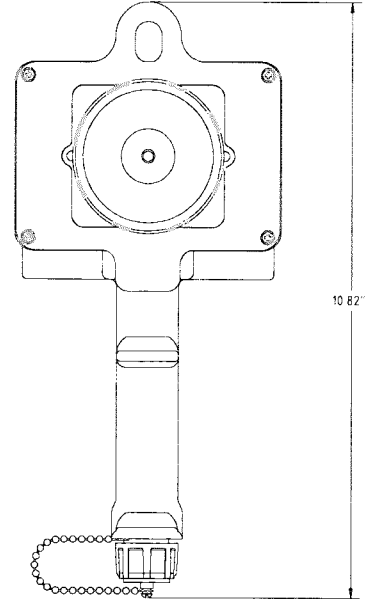
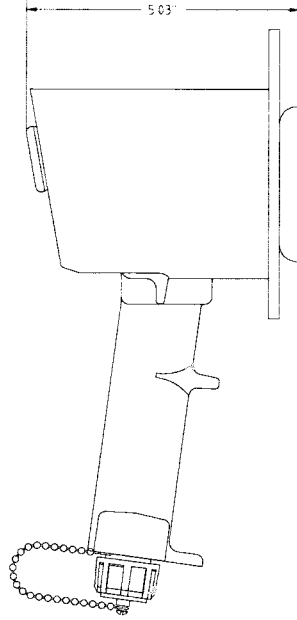
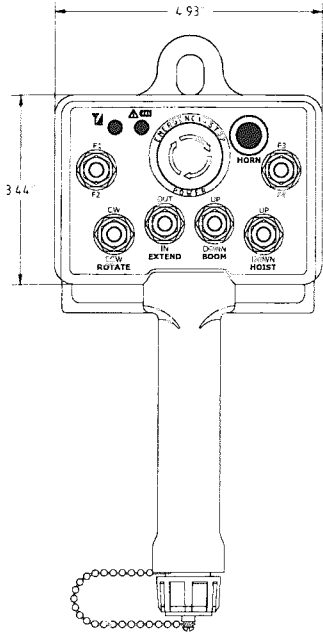
#### **WARNING:**

The GUIDER REMOTE must be operated in compliance with all applicable safety regulations, rules, and practices. Failure to follow required safety practices may result in death or serious injury.

The information, specifications, and illustrations in this manual are those in effect at the time of printing. We reserve the right to change specifications or design at any time without notice.

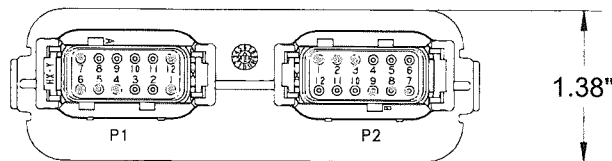
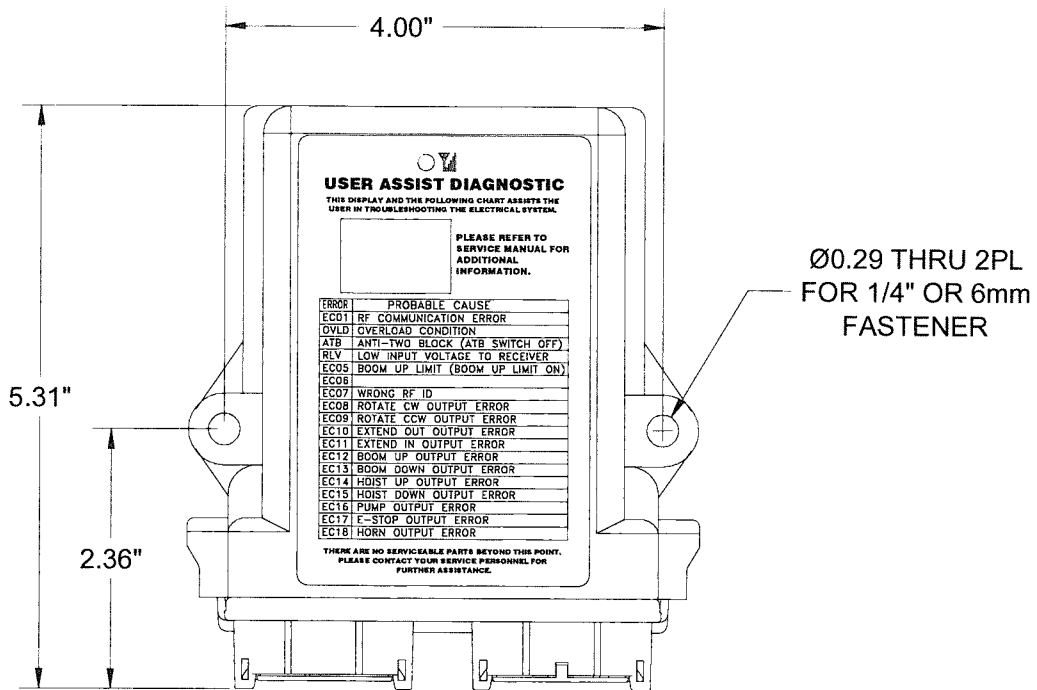
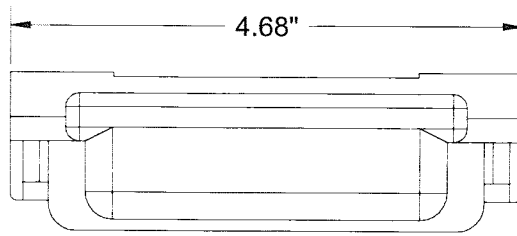
# GUIDER REMOTE

## TRANSMITTER PICTORIAL



# GUIDER REMOTE

## RECEIVER PICTORIAL





## GUIDER REMOTE

### SPECIFICATIONS

#### **TRANSMITTER**

Equipment Class .....	Part 15 Spread Spectrum Transmitter
FCC ID .....	P4U-VRTS
ICC (Industry Canada Certification) ID .....	4534A-VRTS
Power supply .....	4xAA Alkaline Battery
Temperature range.....	-18°C to +55°C
RF Frequency.....	902-928 MHz
RF Transmit power (EIRP) .....	33 mW
LCD display operating range (if equipped) .....	-20°C to +70°C
Vibration .....	3G to 200Hz
Shock .....	50G
NEMA .....	12

#### **RECEIVER**

Power supply voltage.....	9-30VDC
Operating temperature .....	-40°C to +85°C
Storage temperature .....	-40°C to +100°C
Outputs .....	5.0A max each, sourcing, 20A system max
Digital Inputs (when equipped) .....	supply voltage
Analog Inputs (when equipped) .....	0-5VDC/4-20mA
RF Frequency.....	902-928 MHz
Vibration .....	3G to 200Hz
Shock .....	100G
NEMA .....	4X

## **GUIDER REMOTE**

### **INSTRUCTION TO THE USER**

This equipment has been tested and found to comply with the limits for a class B digital device, pursuant to part 15 of the FCC Rules. These limits are designed to provide reasonable protection against harmful interference in a residential installation. This equipment generates radio frequency energy and if not installed and used in accordance with the instructions, may cause harmful interference to radio communications. However, there is no guarantee that interference will not occur in a particular installation. If this equipment does cause harmful interference to radio or television reception, which can be determined by turning the equipment off and on, the user is encouraged to try to correct the interference by one or more of the following measures:

- \* Reorient or relocate the receiving antenna.
- \* Increase the separation between the equipment and receiver.
- \* Connect the equipment into an outlet on a circuit different from that to which the receiver is connected.
- \* Consult the dealer or an experienced radio/TV technician for help.

This equipment has been certified to comply with the limits for a class B computing device, pursuant to FCC Rules. In order to maintain compliance with FCC regulations, shielded cables must be used with this equipment. Operation with non-approved equipment or unshielded cables is likely to result in interference to radio and TV reception. The user is cautioned that changes and modifications made to the equipment without the approval of manufacturer could void the user's authority to operate this equipment.

THIS PAGE INTENTIONALLY LEFT BLANK



HOUSTON, TEXAS  
FAX: (800) 824-5559 (USA & Canada)  
FAX: (713) 688-6324  
PHONE: (713) 688-5533  
[www.liftmoore.com](http://www.liftmoore.com)

## SECTION 3 CRANE SPECIFICATIONS

### MODEL 3612 CRANES

MOMENT RATING                    12,000 FT-LBS

MAX SINGLE LINE LOAD        1,800 LBS

MAX DOUBLE LINE LOAD       3,600 LBS

LIFTING CAPACITIES AT VARIOUS LOAD RADII:

LOAD RADIUS (FT)	CAPACITY (LBS)
≤ 3.2	3600
4	3000
7	1714
9	1333
11	1090
13	923
15	800

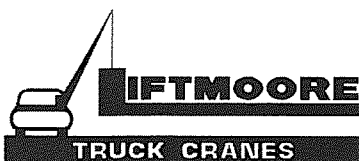
POWERED FUNCTIONS AND EXPECTED TIMES:

WINCH	UP: 12 s	DOWN: 13.5 s	3 REVOLUTIONS
BOOM ELEVATION	UP: 18 s	DOWN: 17 s	
BOOM EXTENSION	OUT: 30 s	IN: 30 s	
ROTATION	90°	13 s	

ELECTRICAL:

VOLTAGE	12 VDC
FUSE	15 AMP
CIRCUIT BREAKER	150 AMP

NOTE: FUNCTION TIMES ARE BASED ON THESE INPUT VALUES



F1816-0  
2-16-11

HOUSTON, TEXAS  
FAX: (800) 824-5559 (USA & Canada)  
FAX: (713) 688-6324  
PHONE: (713) 688-5533  
[www.liftmoore.com](http://www.liftmoore.com)

<b>PERIODIC MAINTENANCE SCHEDULE</b> MODEL 3200 CRANES		
<b>BOLTS</b>		
<b>MOUNTING BOLTS</b>	1/2-13 GRADE 8 TORQUE 110 FT-LBS DRY	EVERY 4 MONTHS
<b>LUBRICATION</b>		
<b>GREASE FITTINGS</b>	SEE DRAWING	EVERY OTHER WEEK
<b>HYDRAULIC FLUID</b>	STANDARD Chevron AW Hydraulic Oil 46 or equivalent SAE 15 weight oil  COLD WEATHER AW 32 or equivalent SAE 10 weight oil	CHECK DAILY, FILL AS NEEDED
<b>BEARINGS</b>	Oil Center Research PM 600 Military grease or equivalent Benton Based Grease NLGI Grade 2	EVERY 6 HOURS OF OPERATION

**OTHER MAINTENANCE****ROTATION GEAR SETTING**

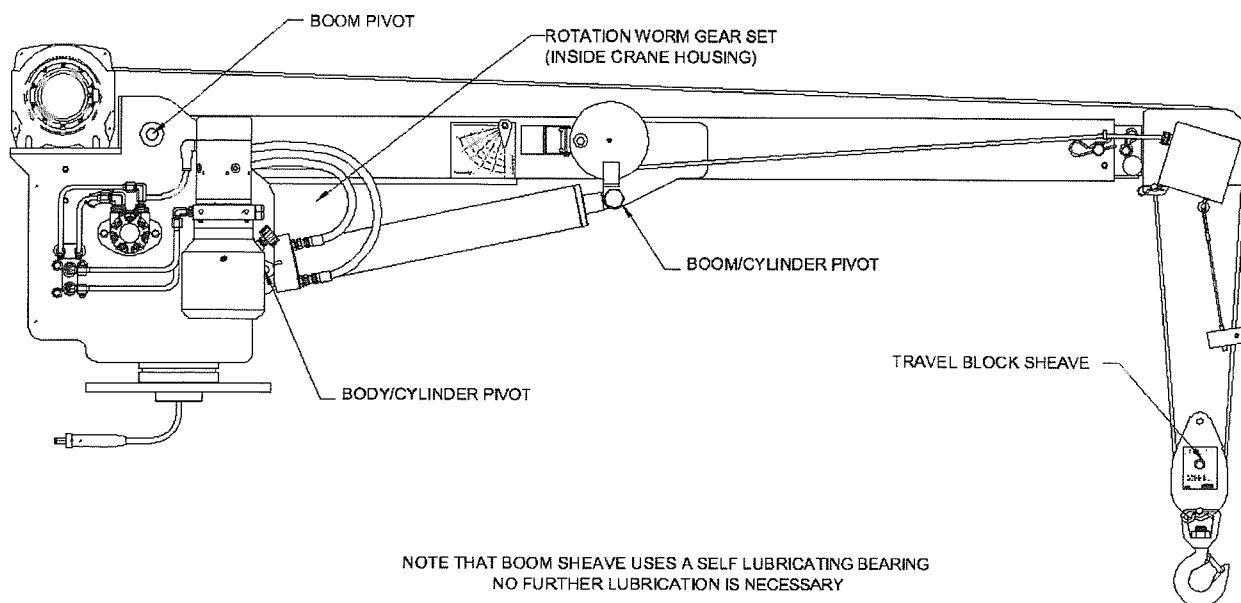
See the Rotation Components drawing for adjustment procedure if backlash becomes so great that excessive boom movement occurs. Factory setting is such that the displacement of the retracted boom tip is less than 1 inch.

**WINCH**

The winch is factory lubricated and should not require further lubrication in its lifetime. The winch brake cannot be adjusted. If brake drift is more than 1 inch under full load then it must be replaced.



## CRANE LUBRICATION POINTS



Houston TX  
(713)-688-5533  
www.liftmoore.com

DRWN BY: BLF  
DATE: 3/18/03

CRANE LUBRICATION POINTS 8.1K-16K

DRAWING NO.  
**50460-A**



F1816-0  
2-16-11

HOUSTON, TEXAS  
FAX: (800) 824-5559 (USA & Canada)  
FAX: (713) 688-6324  
PHONE: (713) 688-5533  
www.liftmoore.com

THIS PAGE INTENTIONALLY LEFT BLANK



F1816-0  
2-16-11

HOUSTON, TEXAS  
FAX: (800) 824-5559 (USA & Canada)  
FAX: (713) 688-6324  
PHONE: (713) 688-5533  
[www.liftmoore.com](http://www.liftmoore.com)

## LIST FOR BOX, CRANE PARTS 3612X 9-15 KTG

Items with \* have detailed DWG's.

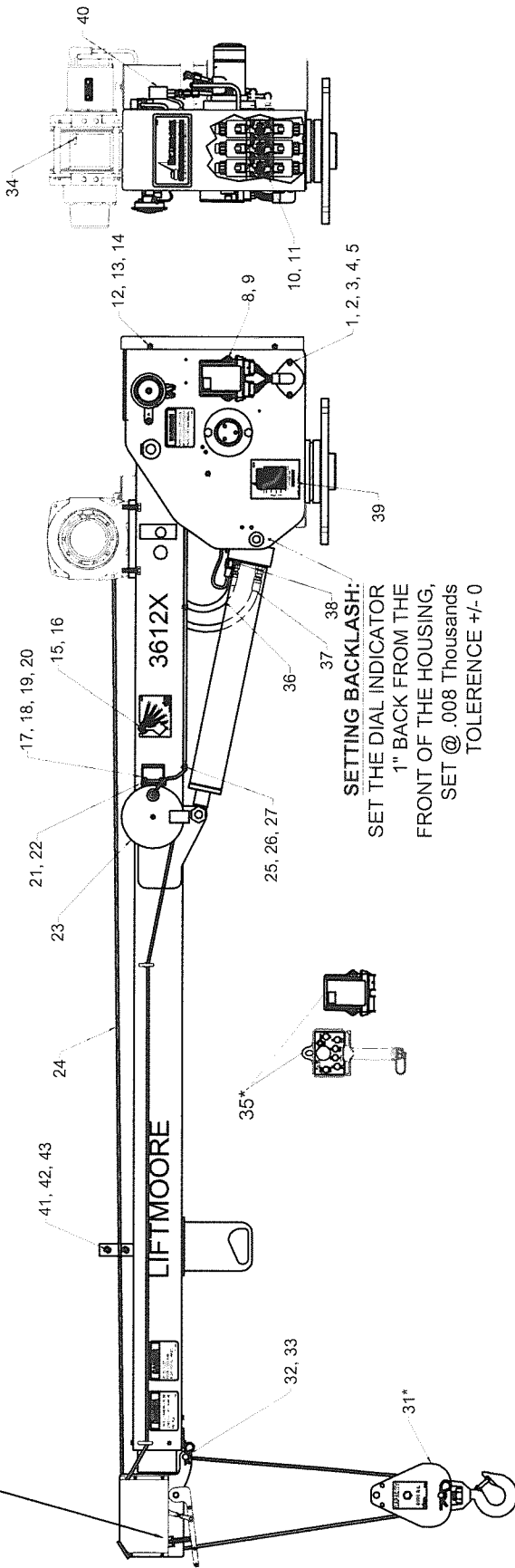
P/N 25986 - BOX, CRANE PARTS 3612X 9-15 KTG  
HORN, E-STOP, BULLSEYE LEVEL & GAUGE

- 1) P/N 26962 - MANUAL, CRANE 3612X 9-15 KTG.....1pc
- 2) P/N 25866 - WIRE, BATTERY #1 X 30' W\MECON.....1pc
- 3) P/N 26084 - WIRE, GROUND 1/0 X 3' LONG.....1pc
- 4) P/N 30815 - SCREW, HHC 0.50-13 X 2.50 GR8.....4pcs
- 5) P/N 30474 - WASHER, LOCK 0.50 GR5 PLATED.....4pcs
- 6) P/N 31957 - NUT, HEX 0.50-13 GR8 PLATED.....4pcs
- 7) \*P/N 22532 - BLOCK, TRAV ASSY 4.0K lbs/4.0D. ....1pc
- 8) P/N 16878 - BREAKER, CIRCUIT 150 AMP.....2pcs
- 9) P/N 16915 - TERMINAL, LUG #1 GA 0.25 DIA.....2pcs
- 10) P/N 30766 - SWITCH, DISCONNECT.....1pc
- 11) P/N 17010 - BRACKET, SWITCH MNT. ELE. CRN.....1pc
- 12) P/N 17063 - TERMINAL, LUG #1 GA 0.37 DIA.....2pcs
- 13) P/N MH\*01143 - CAP, BREATHER 3/4 NPT-MONARCH.....1pc
- 14) P/N 18600 - PLATE, CRANE-TRUCK STABILITY CHART.....1pc
- 15) P/N 22425 - INSTALLATION INTS. 2700 & 3200, 3612.....1pc
- 16) P/N 25007 - DECAL, LOAD CAPACITY 12,000.....1pc
- 17) P/N 23144 LEVEL AND TAPE ASSEMBLY.....1pc





FOR BAIL ATB ASSEMBLY  
SEE DRAWING 58418



ITEMS WITH \* HAVE DETAIL DRAWINGS

#	PN	DESCRIPTION	QTY	#	PN	DESCRIPTION	QTY	#	PN	DESCRIPTION	QTY
1	26957	EWH, DTCH ELEC 3612REE WESTOP	1	19	31110	WASHER, FLAT 0.25 GR5 PLATED	2	37	32969	HOSE, HYD #4 44.00"	1
2	30457	SCREW, HHC 0.25-20 X 0.75 GR5	1	20	30457	SCREW, HHC 0.25-20 X 0.75 GR5	2	38	24725	SWITCH, PRES ASSY 1800PSI DTCH	1
3	30809	SCREW, HHC 0.25-20 X 0.50 GR5	1	21	33410	SCREW, MH RD 10-24 X 3.00	1	39	33025	PLATE, SERIAL 3200/1032	1
4	30889	WASHER, LOCK 0.25 GR5 PLATED	1	22	33409	NUT, HEX NYLOC 10-24 GR2	1	40	23123	PRESSURE GAUGE, 0-3000 PSI	1
5	30830	NUT, HEX 0.25-20 GR2 PLATED	1	23	20407	REEL, CORD 20 FT ASSY DTCH	1	41	24366	ROLLER, ROPE LA6K NYLON	2
8	30810	SCREW, HHC 0.25-20 X 1.00 GR5	2	24	32995	ROPE, WIRE 0.25 X 62' W/TH&LP	1	42	24367	SCREW, HHC 0.25-20 X 5.50 GR5	2
9	30889	WASHER, LOCK 0.25 PLATED	2	25	24960	CLAMP, HOSE SUPPORT 0.25 ID	1	43	30833	NUT, HEX NYLOC 0.25-20 GR2	2
10	24432	SAUER DANFOSS 4W/3P/12V/OC DTCH	3	26	30889	WASHER, LOCK 0.25 GR5 PLATED	3	NOT SHOWN:			
11	30956	SCREW, SOC HD 10-24 X 2.00	12	27	26582	SCREW, SOC HD 0.25-20 X 0.37SS	3	19847	CONNECTOR, DTCH 2P PLUG	1	
12	24793	COVER, BACK 3612 PLASTIC	1	28	30838	NUT, HEX NYLOC 1.00-8 GRADE 5	1	19845	CONNECTOR, DTCH 2P RECPT	1	
13	32589	SCREW, HWHSMS 0.25020 X 0.75	4	31	22532	BLOCK, TRAV ASSY 4.0K lbs/4.0D	1	19846	WEDGE, DEUTSCH 2P PLUG	1	
14	33145	WASHER, FLAT #10 GR2 PLATED	4	32	22553	PIN, CLEVIS 0.56 X 2.5 PLATED	1	19848	WEDGE, DEUTSCH 2P RECPT	1	
15	22394	PENDULUM, LOAD RADIUS DIA. HD	2	33	31603	CLIP, HAIRPIN 0.50 - 0.62	1	24794	DECAL KIT 3612REE 9-15	1	
16	31017	SCREW, SHOULDER 0.31-18 X 0.75	2	34	70022	WEDGE, WIRE ROPE ANCHOR	1	24511	SCREW, SOC HD 10-32 X 3/8	1	
17	70012	BRACKET, CORD REEL	1	35	26946	CONTROL, FM ASSY X DRA KTG	1	24492	MOUNTING CLIP DTCH	1	
18	30833	NUT, HEX NYLOC 0.25-20 GR2	2	36	32968	HOSE, HYD #4 37.50"	1				

	Houston TX (713)-688-5533 www.liftmoore.com	DRAWN BY: JE DATE: 12/11/14	CRANE ASSY 3612X 9-15 DTCH BAIL ATB, E-STOP, HORN, D-RING, ADJUSTABLE ROTATION	DRAWING NO. <b>26956-0</b>
--	---	--------------------------------	---	-------------------------------

THIS DRAWING INTENTIONALLY LEFT BLANK

FOR FUTURE ADDITIONS

OR

A PART OR FEATURE IS NOT APPLICABLE TO THIS CRANE



Houston TX  
(713)-688-5533  
[www.iftmoore.com](http://www.iftmoore.com)

DRWN BY:

DATE:

DRAWING NO.

THIS DRAWING INTENTIONALLY LEFT BLANK

FOR FUTURE ADDITIONS

OR

A PART OR FEATURE IS NOT APPLICABLE TO THIS CRANE

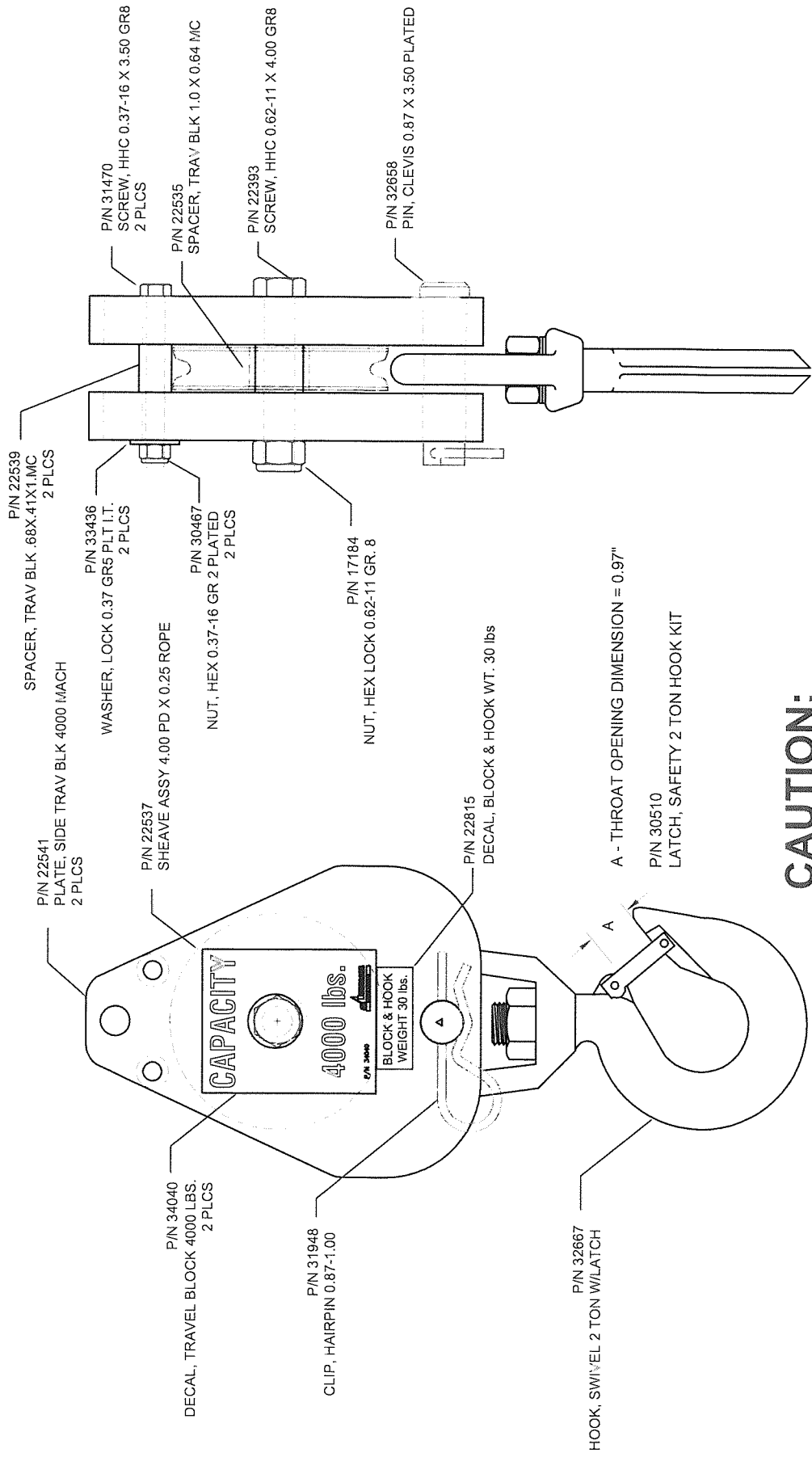


Houston TX  
(713)-688-5533  
[www.iifimmoore.com](http://www.iifimmoore.com)

DRWN BY:

DATE:

DRAWING NO.



**CAUTION:**

NEVER USE A HOOK WHOSE THROAT OPENING HAS BEEN INCREASED, OR WHOSE TIP HAS BEEN BENT MORE THAN 10 DEGREES OUT OF PLANE FROM THE HOOK BODY, OR IS IN ANY WAY DISTORTED OR BENT.

Houston TX  
(713)-688-5533  
www.iftmoore.com



DRWN BY: JC  
DATE: 6/23/08

**BLOCK, TRAV ASSY 4.0K lbs/4.0D**  
4.00PD X 0.25 ROPE; 4K LBS

DRAWING NO.  
**22532-D**

ITEM	P/N	DESCRIPTION	QTY
2	25130	SCREW, SHOULDER 0.375 X 0.625	1
3	26862	LEVER, ANTI-TWO BLOCK MACH	1
4	33424	BUSHING, 0.37 X 0.50 X 0.50L N	5
5	26848	SCREW, SHOULDER 0.375 X 3.00	1
6	32368	WASHER, FLAT 0.37 SAE SS GR304	3
7	24174	NUT, HEX NYLOC 0.37-16 SS	1
8	26860	LEVER, ATB BAIL 8.375" LT MACH	1
9	17164	SCREW, SOC HD 10-24 X 0.62 SS	6
10	26959	LEVER, BAIL SUPPORT - MACH	2
11	26334	SPACER, LEVER 1.865 MACH	1
12	26859	LEVER, ATB BAIL 8.375" RT MACH	1
13	33058	SHEAVE ASSY 5.90PD X 0.25 ROPE	1
14	34468	SCREW, SHEAVE SINGLE 1-8 3.25	1
15	30838	NUT, HEX NYLOC 1.00-8 GRADE 5	1
16	24960	CLAMP, HOSE SUPPORT 0.25 ID	1
17	30889	WASHER, LOCK 0.25 GR5 PLATED	1
18	26582	SCREW, SOC HD 0.25-20 X 0.37SS	1
19	27132	SWITCH, LIMIT ATB ASSY 2W DTCH	1
20	32639	WASHER, LOCK #10 GR2 PLATED	2
21	17164	SCREW, SOC HD 10-24 X 0.62 SS	2
22	26851	SCREW, SOC HD 0.25-20 X 2.75SS	1
23	33352	WASHER, FLAT 0.25 SAE SS GR304	1
24	25151	SPRING, COMPRESSION	1
25	26849	BALL JOINT ROD END	2
26	26907	SCREW, SHOULDER 0.31 X 0.625	2
27	30998	NUT, HEX 0.31-24 GR2 PLATED	2
28	26947	ALL THREAD STUD .31-24 X 2.0"	1
29	31258	WASHER, FLAT 1.00 SAE GRADE 8	1

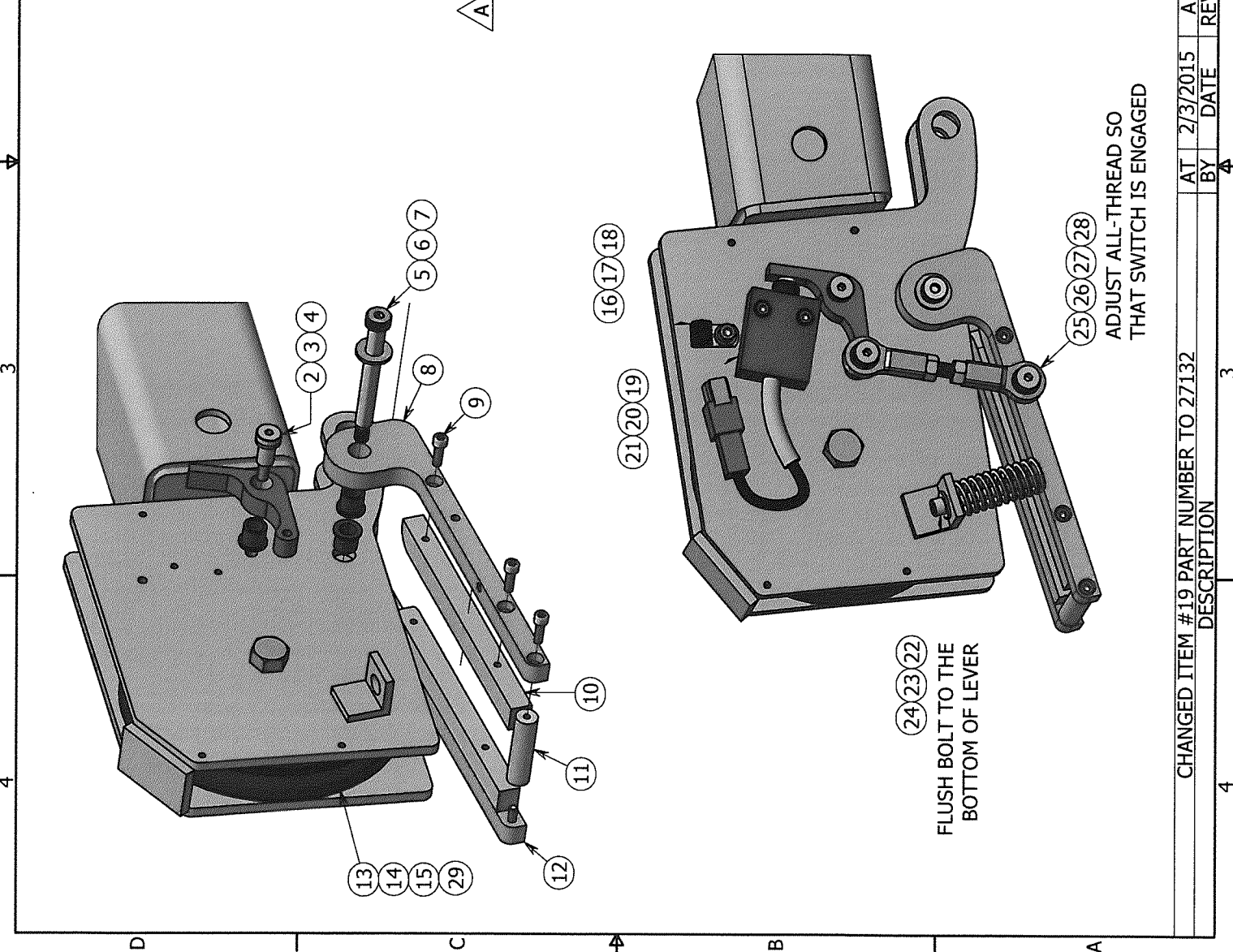
ITEM	P/N	DESCRIPTION	QTY
30	26852	COVER, SMALL BAIL ATB	1
31	26909	SCREW, SOC HD 10-24 X 0.37 SS	4
32	26910	WASHER, FLAT #10 SS	4

# ASSEMBLY

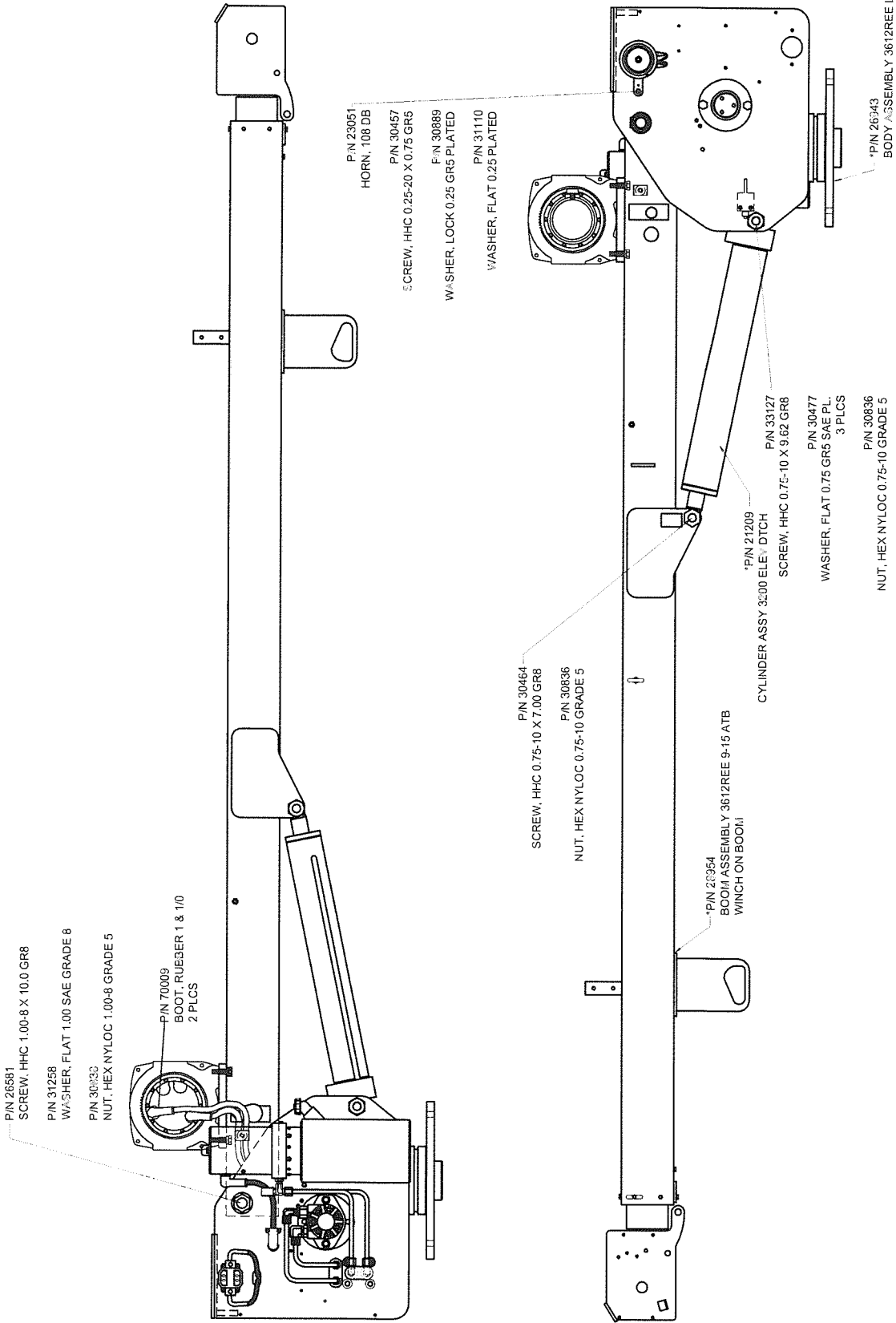
USE LOCTITE TO PROPERLY  
SECURE BOLTS

TYPICAL TOLERANCE	<b>LIFTMOORE, INC</b> HOUSTON TX (713)-688-5533
MACHINE ±.005 PLASMA ±.1/32 WELD ±.1/16	DWG, BAIL ATB ASSEMBLY 2700/3200/3612/4000
CAD DRAWING DO NOT SCALE	DRWN BY: AT DATE: 11/14/14 SHEET: 1 OF 1

CHANGED ITEM #19 PART NUMBER TO 27132	AT	2/3/2015	A
DESCRIPTION	BY	DATE	REV



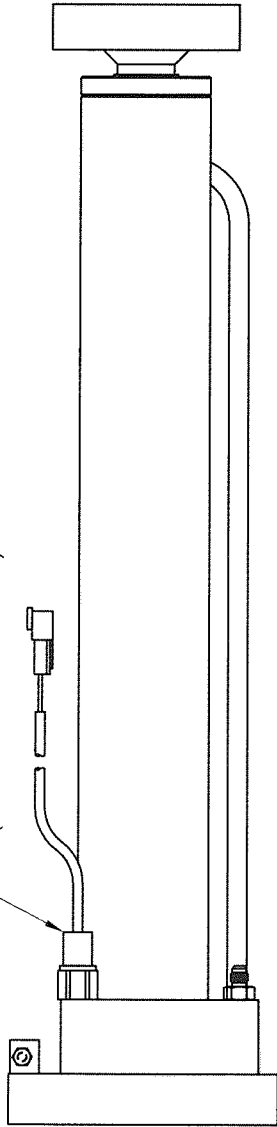
TYPICAL TOLERANCE		MACHINE ±.005	
PLASMA ±.1/32		WELD ±.1/16	
CAD DRAWING DO NOT SCALE		DRWN BY: AT	
		DATE: 11/14/14	
		SHEET: 1 OF 1	



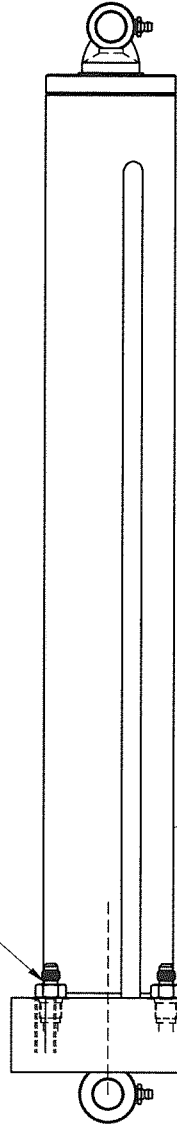
	Houston TX (713)-688-5533 www.liftmore.com	DRAWN BY: JE DATE: 12/11/14	DRAWING NO. <b>26955-0</b>
	<b>BOOM-BODY ASSY 3612X 9-15 DTCH</b> BAIL ATB LEFT, WINCH ON BOOM, D-RING, HORN		

P/N 21213  
SWITCH, PRES ASSY 1450PSI DTCH

FOR 3200 MODELS JUNE 15, 2013 AND  
UP USE P/N 25825 - SWITCH, PRES ASSY 1450PSI  
(NOT PART OF ASSEMBLY)

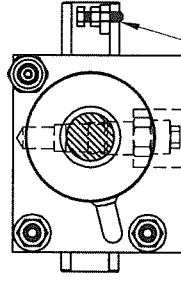


P/N 32400  
ADAPTER, 4MJ-6MO  
2 PLCS



P/N 32867  
CYLINDER, 3.0 X 18.5 X 1.25 PE

REPLACEMENT PARTS FOR CYLINDER	
DESCRIPTION	PART NUMBER
SEAL KIT	TM*SK-0000148
COUNTER BALANCE VALVE	30851



P/N 30810  
SCREW, HHC 0.25-20 X 1.00 GR5

P/N 30830  
NUT, HEX 0.25-20 GR2 PLATED

FOR UPLIMIT SWITCH

Houston TX  
(713)-688-5533  
www.lifmoore.com

DRWN BY: JC

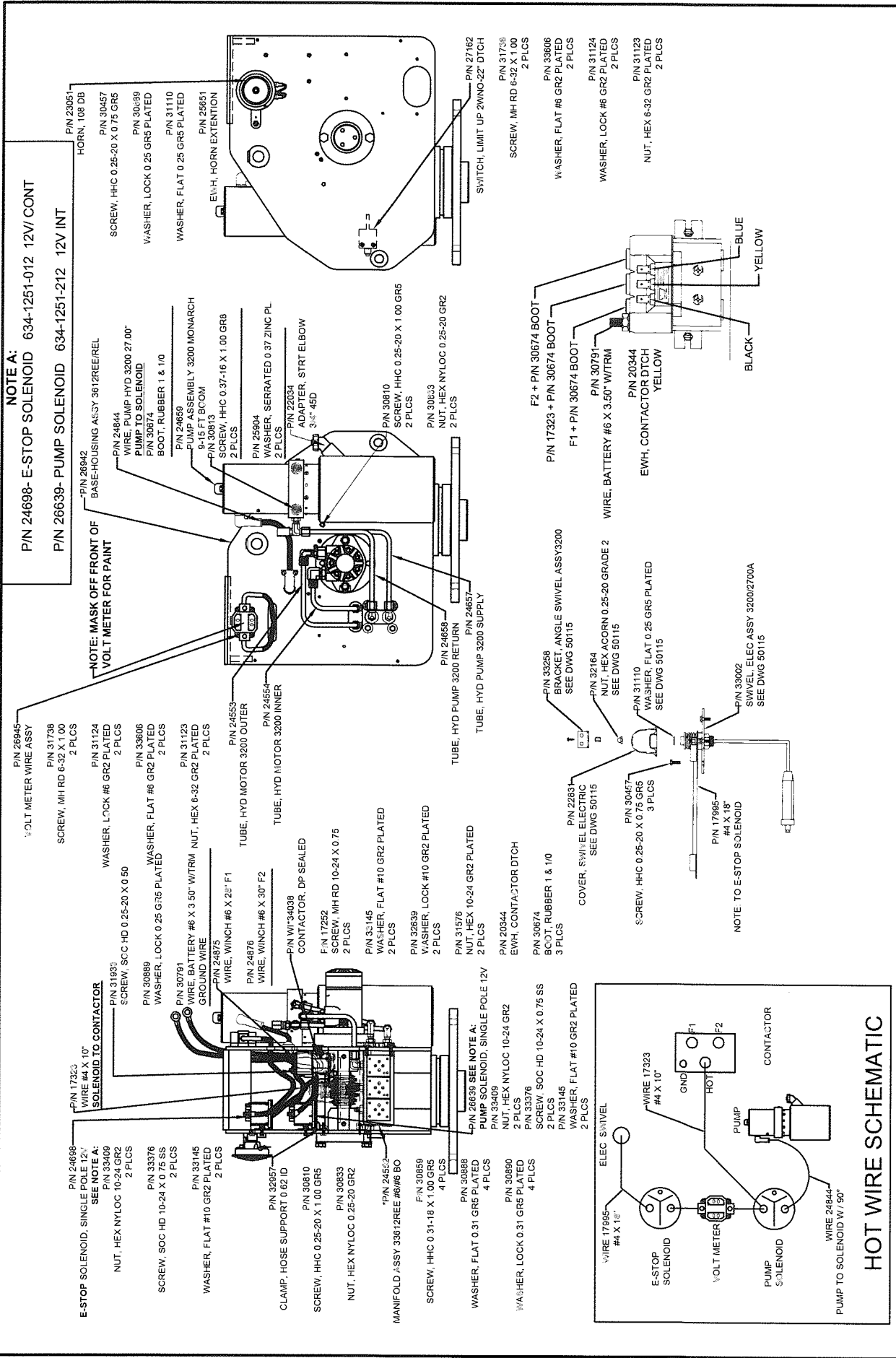
DATE: 1/31/08

CYLINDER ASSY 3200 ELEV DTCH

DRAWING NO.

21209-B





**NOTE A:**  
 P/N 24698- E-STOP SOLENOID 634-1251-012 12V CONT  
 P/N 26639- PUMP SOLENOID 634-1251-212 12V INT

**NOTE:** MASK OFF FRONT OF VOLT METER FOR PAINT

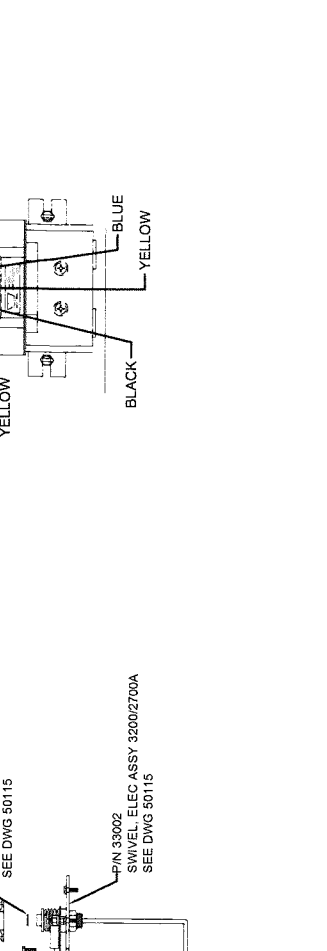
BASE-HOUSING ASSY 3612R/REL  
 P/N 24844  
 WIRE, PUMP HYD 3200 27 00"  
 PUMP TO SOLENOID  
 P/N 30674  
 BOOT, RUBBER 1 & 1/0  
 P/N 24659  
 O-RING ASSEMBLY 3200 MONARCH  
 P/N 30810 SCOM  
 P/N 30810  
 SCREW, HHC 0.37-16 X 1.00 GR8  
 2 PLS  
 P/N 25004  
 WASHER, SERRATED 0.37 ZINC PL  
 2 PLS  
 P/N 22034  
 ADAPTER, STRT ELBOW  
 3/4" 45D  
 P/N 30810  
 SCREW, HHC 0.25-20 X 1.00 GR5  
 2 PLS  
 P/N 30653  
 NUT, HEX NYLOC 0.25-20 GR2  
 2 PLS

P/N 26945  
 VOLT METER WIRE ASSY  
 P/N 31735  
 SCREW, MH RD 6-32 X 1.00  
 2 PLS  
 P/N 31124  
 WASHER, LOCK #6 GR2 PLATED  
 2 PLS  
 P/N 33606  
 WASHER, FLAT #6 GR2 PLATED  
 2 PLS  
 P/N 31123  
 NUT, HEX 6-32 GR2 PLATED  
 2 PLS  
 P/N 24553  
 TUBE, HYD MOTOR 3200 OUTER  
 P/N 24857  
 TUBE, HYD MOTOR 3200 INNER  
 P/N 24554  
 TUBE, HYD MOTOR 3200 INNER  
 P/N 31124  
 WASHER, LOCK #6 GR2 PLATED  
 2 PLS  
 P/N 33606  
 WASHER, FLAT #6 GR2 PLATED  
 2 PLS  
 P/N 31123  
 NUT, HEX 6-32 GR2 PLATED  
 2 PLS  
 P/N 24876  
 WIRE, WINCH #6 X 30' F2  
 P/N 31176  
 NUT, HEX NYLOC 10-24 X 0.75  
 2 PLS  
 P/N 31145  
 WASHER, FLAT #10 GR2 PLATED  
 2 PLS  
 P/N 32639  
 WASHER, LOCK #10 GR2 PLATED  
 2 PLS  
 P/N 31576  
 NUT, HEX NYLOC 10-24 GR2 PLATED  
 2 PLS  
 P/N 20344  
 EWH, CONTACTOR DTCH  
 P/N 30674  
 SCOT, RUBBER 1 & 1/0  
 3 PLS  
 P/N 22831  
 COVER, SWIVEL ELECTRIC  
 SEE DWG 50115  
 P/N 30457  
 SCREW, HHC 0.25-20 X 0.75 GR5  
 3 PLS  
 P/N 17955  
 SWIVEL, ELEC ASSY 3200/2700A  
 SEE DWG 50115

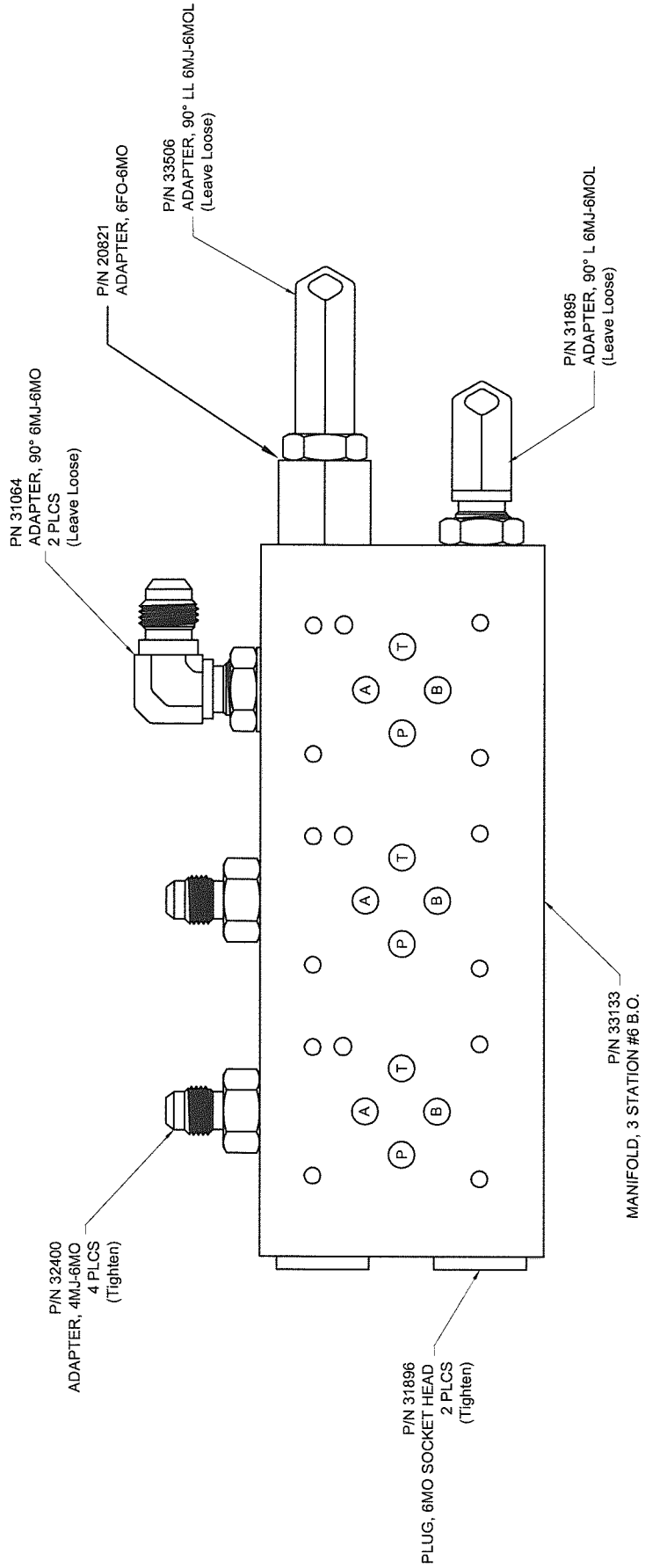
P/N 24698- E-STOP SOLENOID 634-1251-012 12V CONT  
 P/N 26639- PUMP SOLENOID 634-1251-212 12V INT


SWITCH, LIMIT UP 2WNO-22' DTCH  
 P/N 27162  
 SCREW, MH RD 6-32 X 1.00  
 2 PLS  
 P/N 31735  
 SCREW, MH RD 6-32 X 1.00  
 2 PLS  
 P/N 33606  
 WASHER, FLAT #6 GR2 PLATED  
 2 PLS  
 P/N 31124  
 WASHER, LOCK #6 GR2 PLATED  
 2 PLS  
 P/N 31123  
 NUT, HEX 6-32 GR2 PLATED  
 2 PLS

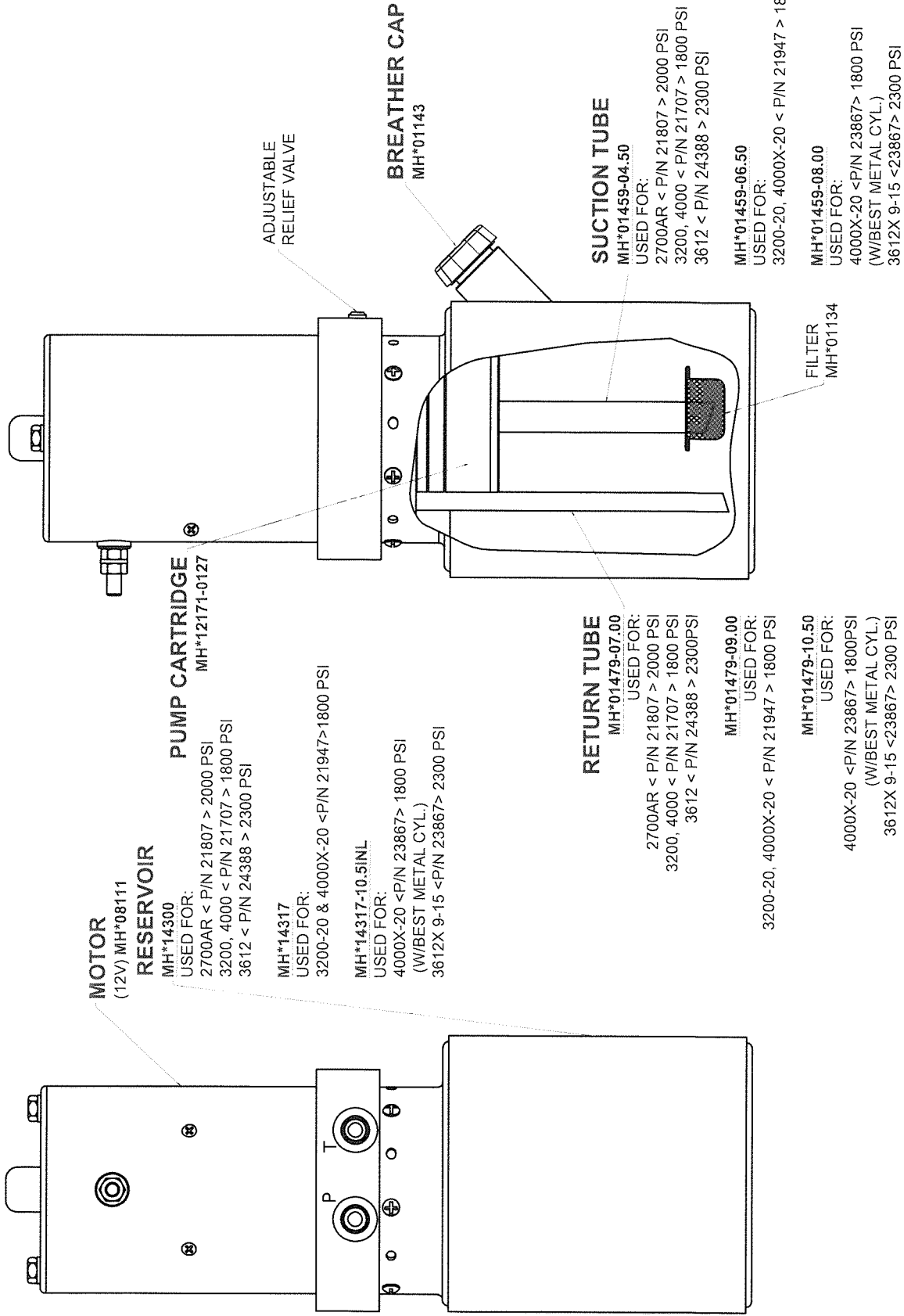
F2 + P/N 30674 BOOT  
 P/N 17323 + P/N 30674 BOOT  
 F1 + P/N 30674 BOOT  
 P/N 30791  
 WIRE, BATTERY #6 X 3.50' WTRM  
 P/N 20344  
 EWH, CONTACTOR DTCH  
 YELLOW  
 BLACK  
 BLUE  
 YELLOW







	Houston TX (713)-688-5533 www.liftmoore.com	DRWN BY: JE DATE: 6/16/11	MANIFOLD ASSY 3612REE #6#6 BO 3 STATION MANIFOLD 3612REE	DRAWING NO. <b>24552-A</b>
---	---	------------------------------	---	-------------------------------



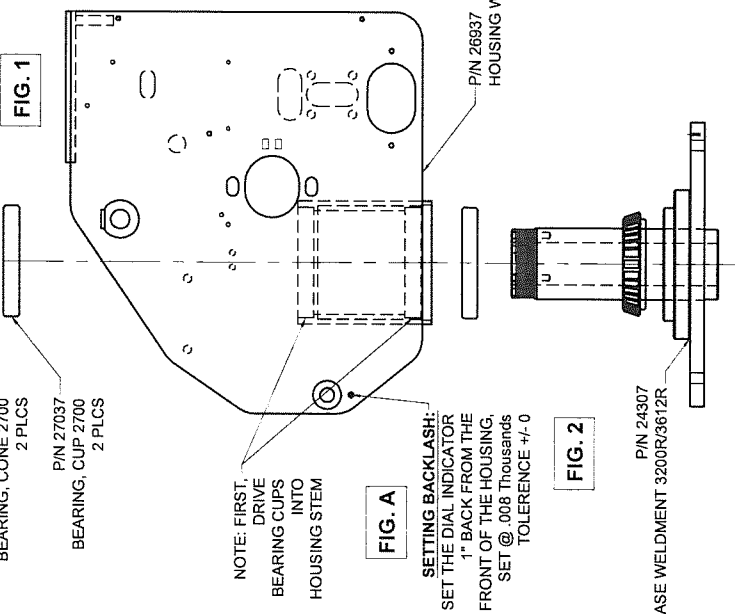
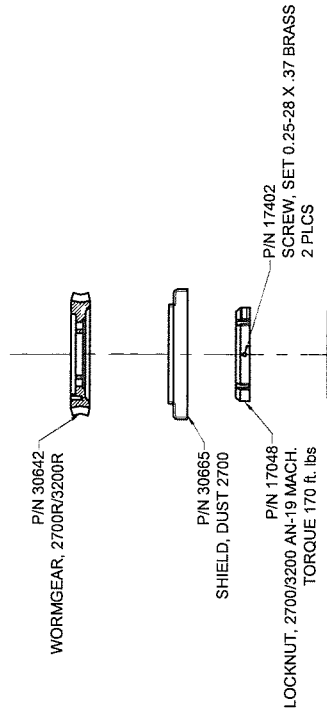
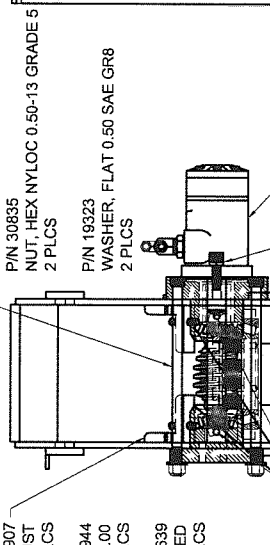
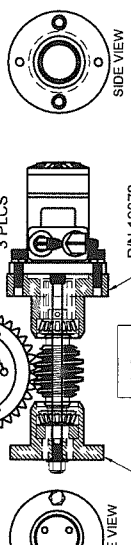
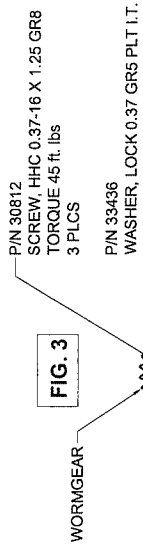
Houston TX  
(713)-688-5533  
www.liftmoore.com



DRWN BY: JC  
DATE: 1/31/08

PUMP ASSY 2700,3200,4000,3612  
MONARCH

DRAWING NO.  
50624-E



**FIG. 1**

NOTE: FIRST, DRIVE BEARING CUPS INTO HOUSING STEM

**FIG. 2**

SETTING BACKLASH: SET THE DIAL INDICATOR 1" BACK FROM THE FRONT OF THE HOUSING, SET @ .006 Thousands TOLERANCE +/- 0

	Houston TX (713)-688-5533 www.iifitmoore.com	DRWN BY: JE DATE: 12/4/14	DRAWING NO. <b>26942-A</b>
	<b>BASE-HOUSING ASSY 3612X</b> GUIDER FM, VOLT METER, HORN		



BY: JE  
DATE: 4/17/13

ROTATION COMPONENTS 3612  
ISOMETRIC DWG

DOCUMENT NO.  
50832-0

TO ADJUST BACKLASH BETWEEN GEARS:

LOOSEN MOUNTING BOLTS

MAKE SMALL ADJUSTMENTS TO THE BACKLASH ADJUSTMENT SCREWS, NO MORE THAN A 1/4 TURN. ALTERNATE BETWEEN SCREWS SO THAT ALIGNMENT IS MAINTAINED.

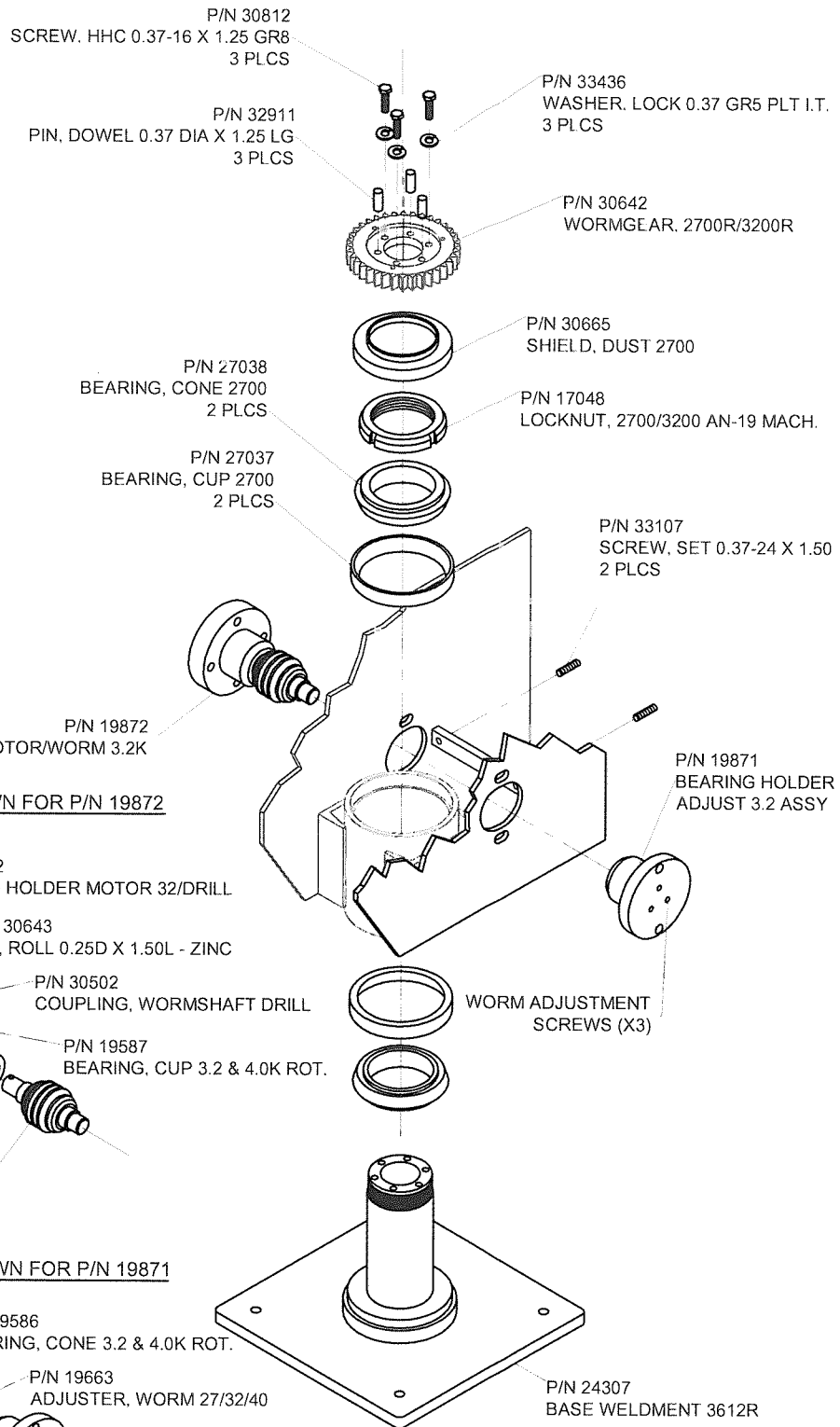
SOME PLAY MUST BE LEFT BETWEEN THE GEARS OR THE CRANE WILL NOT OPERATE PROPERLY AND EXCESSIVE WEAR AND/OR DAMAGE WILL OCCUR. INITIAL SETTING IS SUCH THAT THE RETRACTED BOOM TIP MOTION IS LESS THAN 1 INCH.

WHEN FINISHED, TORQUE THE MOUNTING BOLTS TO 40 FT-LBS

TO ADJUST PLAY IN WORM MOUNTING:

TIGHTEN THE 3 SET SCREWS IN THE BEARING HOLDER THEN BACK THEM OUT 1 TURN

SCREW THEM BACK IN JUST UNTIL THEY ARE SNUG. OVER TIGHTENING WILL PUT THE WORM AND MOTOR IN A BIND AND IT WILL NOT FUNCTION PROPERLY.



BREAK DOWN FOR P/N 19872

BREAK DOWN FOR P/N 19871



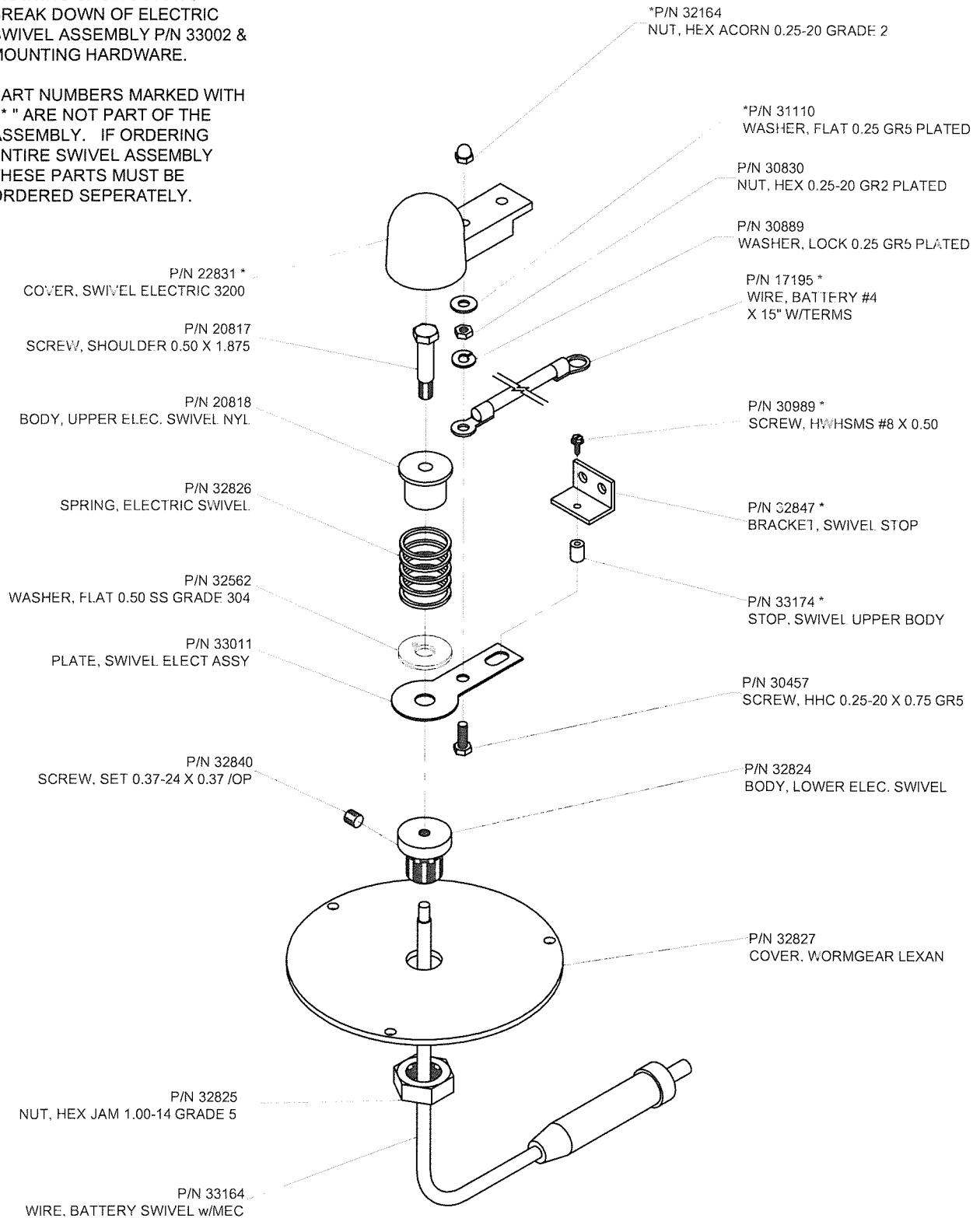
BY: KSP  
DATE: 4/24/09

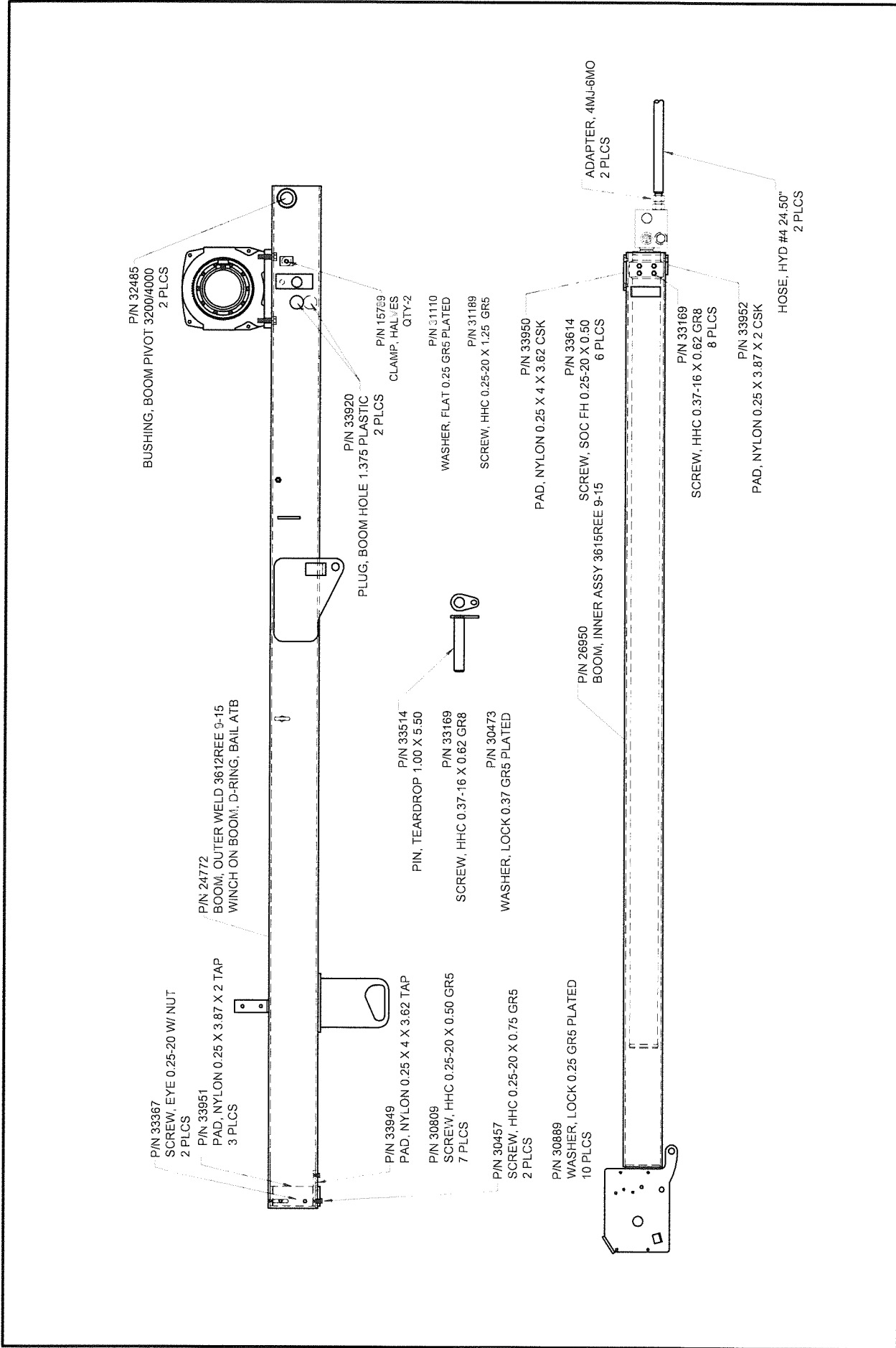
**ELECTRIC SWIVEL ASSY 3200REE**  
WITH E-STOP AND HORN

DOCUMENT NO.  
**50754-0**

DRAWING SHOWS PARTS  
BREAK DOWN OF ELECTRIC  
SWIVEL ASSEMBLY P/N 33002 &  
MOUNTING HARDWARE.

PART NUMBERS MARKED WITH  
" \* " ARE NOT PART OF THE  
ASSEMBLY. IF ORDERING  
ENTIRE SWIVEL ASSEMBLY  
THESE PARTS MUST BE  
ORDERED SEPERATELY.





	Houston TX (713)-688-5533 www.iftmoore.com	DRWN BY: JE	BOOM ASSEMBLY 3612X 9-15 BAIL ATB LEFT, WINCH ON BOOM	DRAWING NO. <b>26954-0</b>
		DATE: 12/11/14		

P/N 33850  
PAD, NYLON 0.25 X 4 X 3.62 CSK  
P/N 33614  
SCREW, SOC FH 0.25-20 X 0.50  
6 PLCS

P/N 26050  
BOOM, INNER 3615REE 9-15 WELD

P/N 33169  
SCREW, HHC 0.37-16 X 0.62 GR8  
8 PLCS  
P/N 33952  
PAD, NYLON 0.25 X 3.87 X 2 CSK

REPLACEMENT PARTS FOR CYLINDER	
DESCRIPTION	PART NUMBER
CHECK VALVE	31591
COUNTERBALANCE VALVE	30851
HOSE, HYD #4 24.50"	19503
ADAPTER, 4MJ-6MO	32400
CYLINDER, 2.5 X 72.0 X 1.25TM	34034

P/N 23754  
CYLINDER ASSY 4000X-20/3612REE 9-15 EXT

COUNTER BALANCE VALVE

CHECK P.O. VALVE

ADAPTER, 4MJ-6MO  
2 PLCS

HOSE, HYD #4 24.50"  
2 PLCS



Houston TX  
(713)-688-5533  
www.iftmoore.com



BOOM, INNER ASSY 3612REE 9-15  
LEFT SIDE ATB, WINCH ON BOOM, BAIL ATB

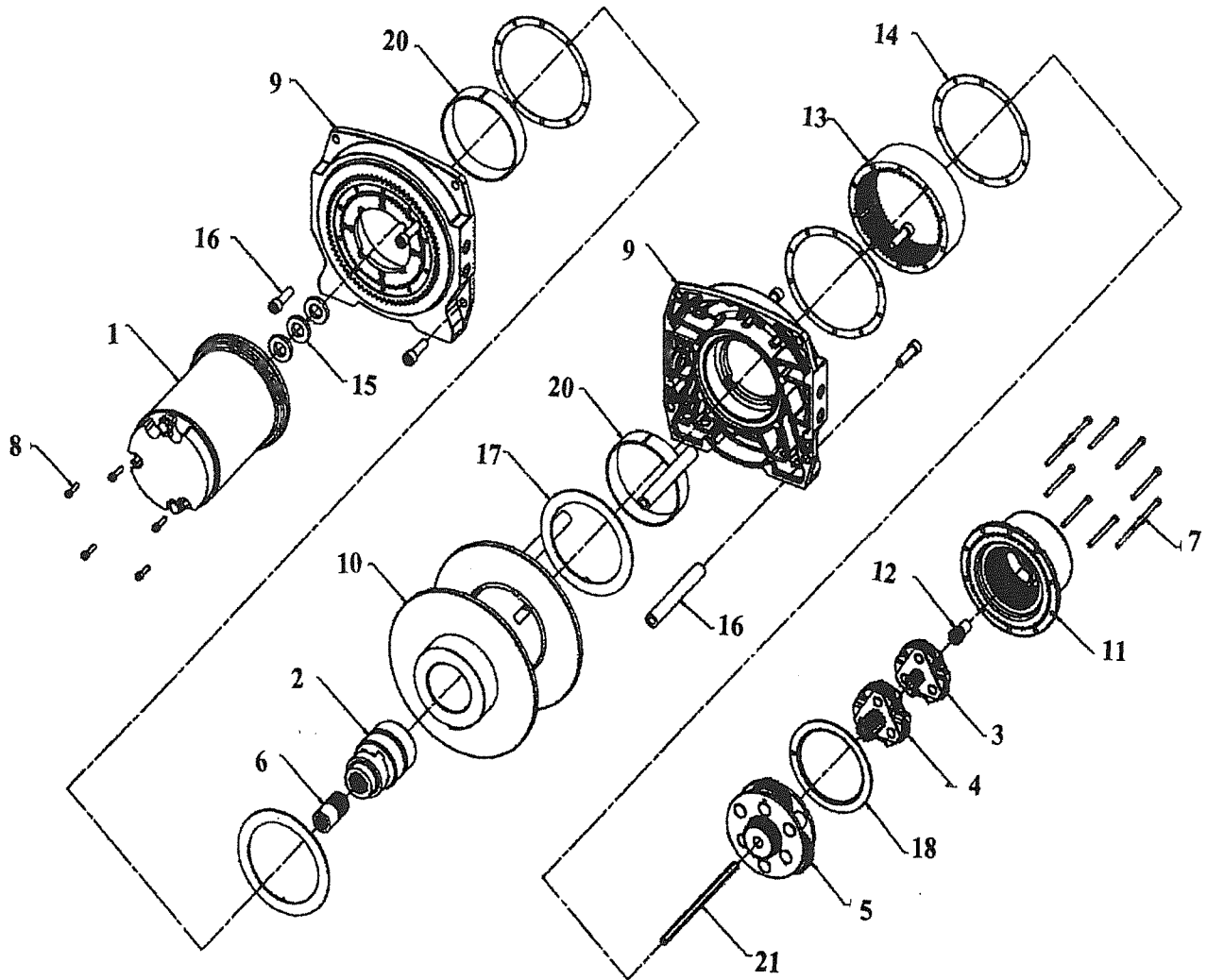
DRAWING NO.

26953-0

DRWN BY: JE

DATE: 12/11/14

WINCH DC2000 12VDC P/N 23872



23872-C  
06/11/15

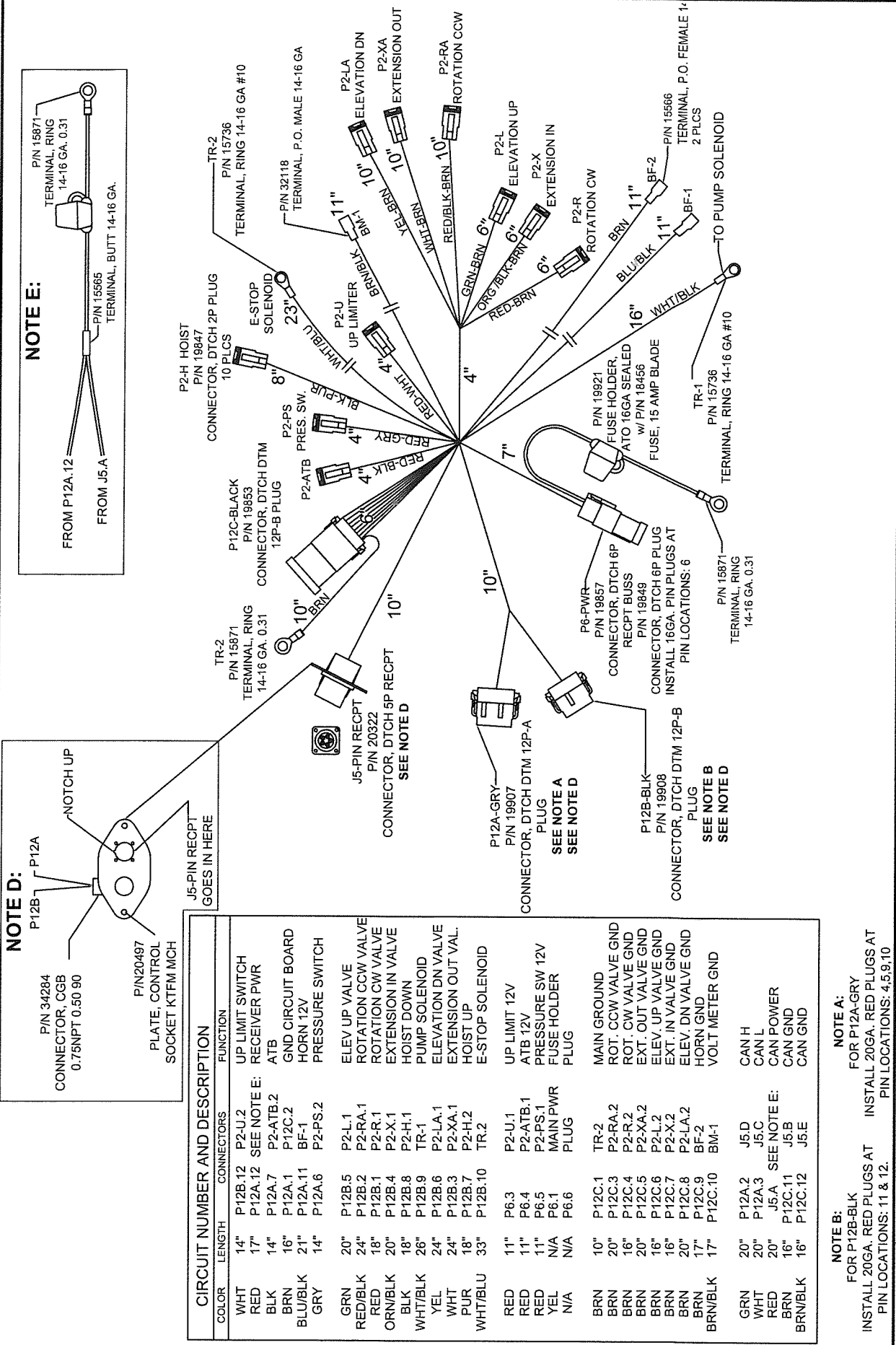
HOUSTON, TEXAS  
 FAX: (800) 824-5559 (USA & Canada)  
 FAX: (713) 688-6324  
 PHONE: (713) 688-5533  
 www.liftmoore.com



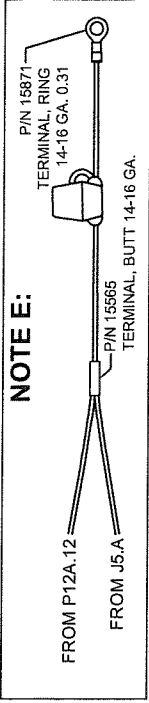
## SERVICE PARTS LIST: DC2000LF HOIST-12V P/N 23872

ITEM REFERENCE		ITEM / KIT No.
1	MOTOR SPLINED 12V DC	WI*84211
2	BRAKE ASSEMBLY DC2000	WI*63550
3	CARRIER ASSY, STAGE 1	WI*28430
4	CARRIER ASSY, STAGE 2	WI*28433
5	CARRIER ASSY, STAGE 3	WI*28115
6	COUPLER, MOTOR/BRAKE	WI*32149
7	CPSCR, 10-24 X 2-1/4-HEX SOCKET HEAD-PI	WI*13850
8	CPSCR, SOC, 10-24 X 3/4, GR9 (KB)	WI*5553
9	(MTO) S/P DRUM SUPPORT, GEAR END	WI*85575
10	DRUM, (KB) 2000-MF, 4.25 DIA	WI*31618
11	SVC KIT END HOUSING SUBASSY, CLUTCH PLUG	WI*85583
12	GEAR, SUN, 12 TOOTH, STAGE 1	WI*13874
13	RING GEAR, ARG, 75 TOOTH	WI*25308
14	HOUSING, GASKET	WI*13848
15	SPACER, MOTOR	WI*15271
16	SVC KIT TIE ROD, ALUMN, .625 X 4.92	WI*85579
17	WASHER, TRUST, NYLATRON, CIM	WI*30277
18	WASHER, TRUST, NYLON, MIDRANGE	WI*13826
19	PARTS PACK, DC2000 HOIST	WI*60049
20	BUSHING DRUM NYLATRON	WI*30274
21	SHAFT-DRIVE-HEX 5/16 X 6.85	WI*84346

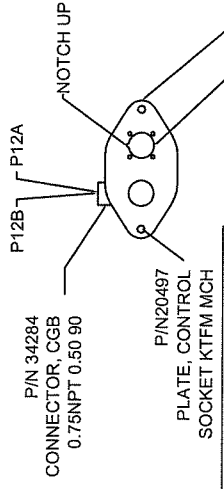




NOTE E:



NOTE D:



CIRCUIT NUMBER	LENGTH	COLOR	CONNECTORS	FUNCTION
	14"	WHT	P12B.12	UP LIMIT SWITCH
	17"	RED	P12A.12	RECEIVER PWR
	14"	BLK	P12A.7	SEE NOTE E:
	16"	BRN	P12A.1	ATB
	21"	BLU/BLK	P12A.11	GND CIRCUIT BOARD
	14"	GRY	P12A.6	HORN 12V
	20"	GRN	P12B.5	PRESSURE SWITCH
	24"	RED/BLK	P12B.2	ELEV UP VALVE
	18"	RED	P12B.1	ROTATION CCW VALVE
	20"	ORW/BLK	P12B.4	ROTATION CW VALVE
	18"	BLK	P12B.8	EXTENSION IN VALVE
	24"	WHT/BLK	P12B.9	HOIST DOWN
	24"	YEL	P12B.6	HOIST SOLENOID
	24"	WHT	P12B.3	ELEVATION DN VALVE
	18"	PUR	P12B.7	EXTENSION OUT VAL.
	33"	WHT/BLU	P12B.10	HOIST UP
	11"	RED	P6.3	E-STOP SOLENOID
	11"	RED	P2-U.1	UP LIMIT 12V
	11"	RED	P2-ATB.1	ATB 12V
	N/A	YEL	P6.5	PRESSURE SW 12V
	N/A	N/A	P6.1	FUSE HOLDER
	N/A	N/A	P6.6	PLUG
	10"	BRN	P12C.1	MAIN GROUND
	20"	BRN	P12C.3	ROT. CCW VALVE GND
	16"	BRN	P12C.4	ROT. CW VALVE GND
	20"	BRN	P12C.5	EXT. OUT VALVE GND
	16"	BRN	P2-L.2	ELEV. UP VALVE GND
	16"	BRN	P2-C.7	EXT. IN VALVE GND
	20"	BRN	P12C.8	ELEV. DN VALVE GND
	17"	BRN	P12C.9	HORN GND
	17"	BRN/BLK	P12C.10	VOLT METER GND
	20"	GRN	P12A.2	CAN H
	20"	WHT	P12A.3	CAN L
	20"	RED	J5.C	SEE NOTE E:
	16"	BRN	P12C.11	CAN POWER
	16"	BRN/BLK	P12C.12	CAN GND
			J5.E	CAN GND

NOTE A:

FOR P12B-BLK  
 INSTALL 20GA. RED PLUGS AT  
 PIN LOCATIONS: 11 & 12.

NOTE B:

INSTALL 16GA. RED PLUGS AT  
 PIN LOCATIONS: 4, 5, 9, 10

NOTE C:

INSTALL 16GA. PIN PLUGS AT  
 PIN LOCATIONS: 6

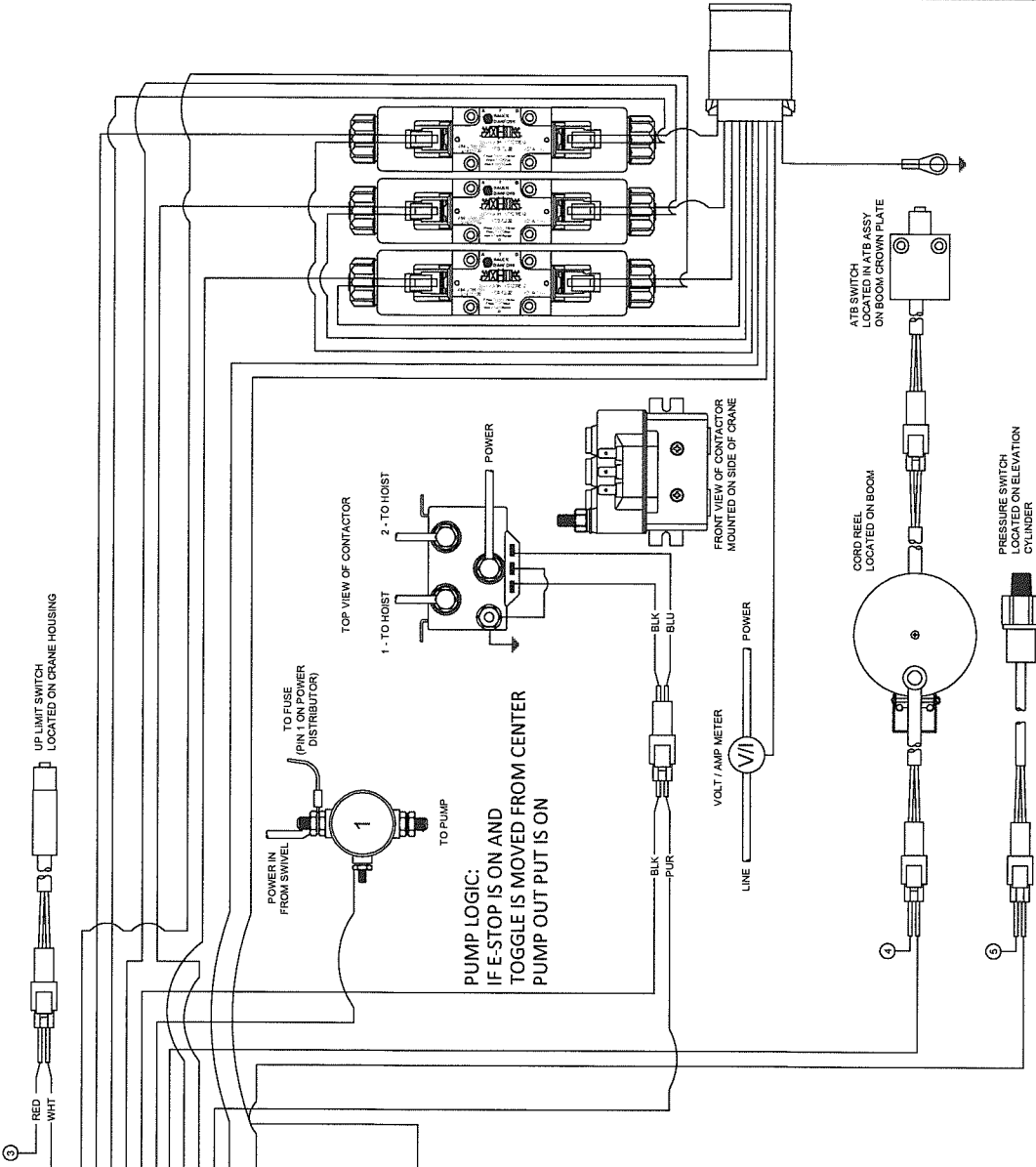
NOTE D:

INSTALL 16GA. PIN PLUGS AT  
 PIN LOCATIONS: 6

NOTE E:

INSTALL 16GA. PIN PLUGS AT  
 PIN LOCATIONS: 6

	Houston TX (713)-688-5533 www.liftmoore.com	DRAWN BY: JE DATE: 12/17/14	EWH, DTCH ELEC 3612X KTG GUIDER FM, ESTOP, SAUER DANFOSS VALVES, HORN	DRAWING NO. <b>26957-B</b>
--	---	--------------------------------	--	-------------------------------

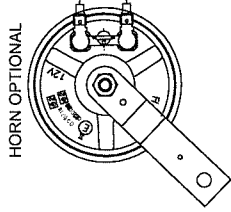


FUNCTION	WIRE COLOR
8 > P1	RED
12 > P1	WHT
5 > P2	RED
2 > P2	GRN
1 > P2	RED/BLK
4 > P2	RED
8 > P2	GRN/BLK
9 > P2	BLK
7 > P1	WHT/BLK
6 > P2	BLK
3 > P2	YEL
7 > P2	WHT
1 > P1	PUR
11 > P1	BRN
6 > P1	BLU/BLK
8 > P1	GRY
11 > P1	GRY

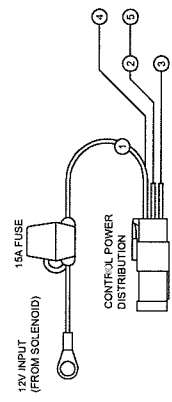
P1-DEUTSCH 12-SOCKET GRAY PLUG

TO RECEIVER

P2-DEUTSCH 12-SOCKET BLACK PLUG



Pressure switch and ATB logic remains the same as Limiting system. When ATB or over load condition, the receiver's display will show "ATB", "OVER LOAD"



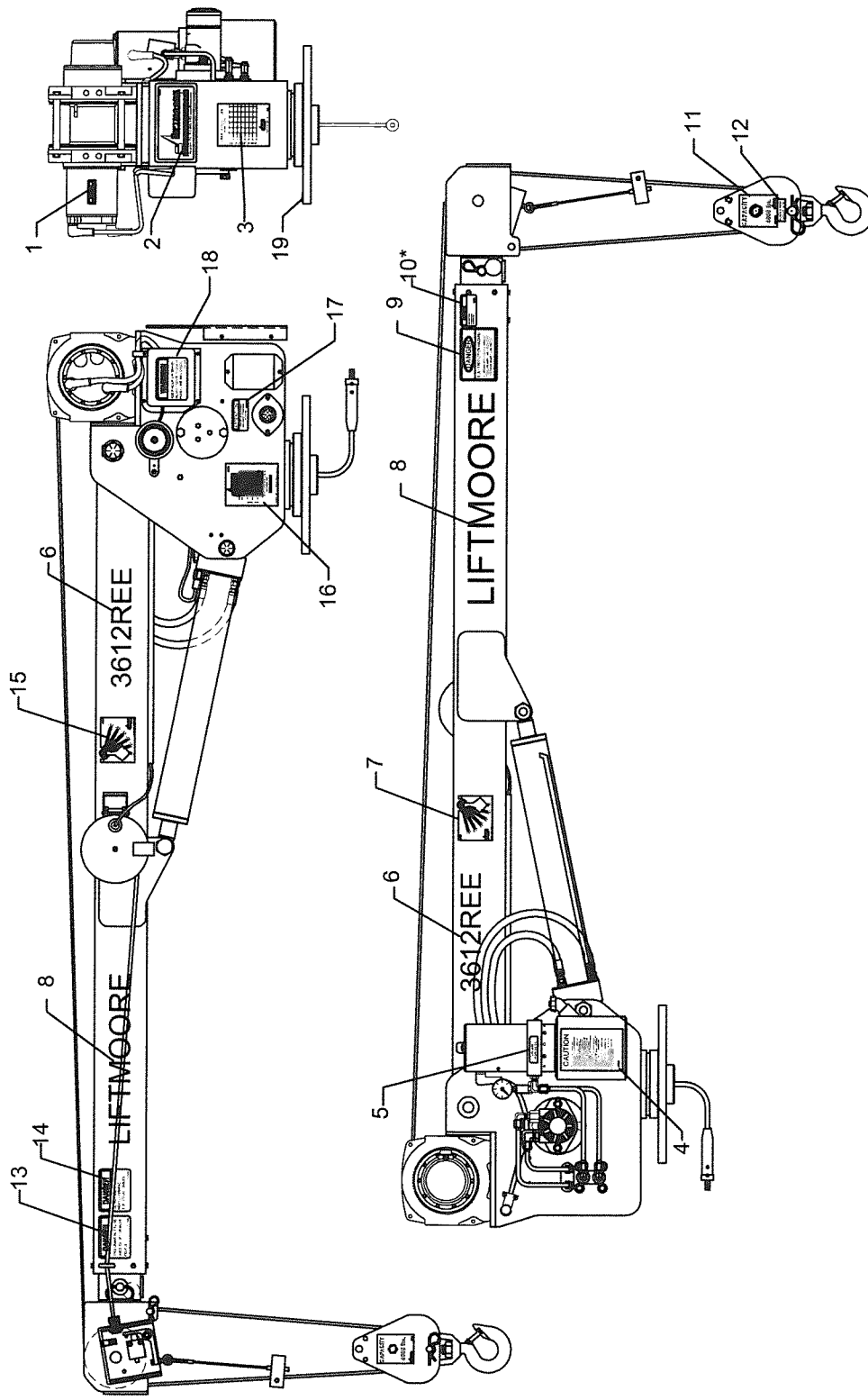
DRAWING NO. 50866-0

SCHEM, ELEC 3612X KTG SAUER DANFOSS VALVES

DRWN BY: JE DATE: 12/17/14

Houston TX (713)-688-5533 www.liftmoore.com





\* APPLIES TO 14.5 FT & 15 FT CRANES

#	PN	DESCRIPTION	QTY	#	PN	DESCRIPTION	QTY	#	PN	DESCRIPTION	QTY
1	32608	DECAL, MOTOR MAGNETS DAMAGE	1	8	33165	DECAL, LIFTMOORE - 2.50"	2	15	22375	DECAL, ANGLE PENDULUM LEFT	1
2	15582	DECAL, LOGO LARGE	1	9	15618	DECAL, DANGER ELECTRIC INJURY	1	16	24345	PLATE, SERIAL 3612	1
3	24344	DECAL, LOAD CAPACITY 12K-7-15	1	10	15612	DECAL, CAUTION PIN MUST BE IN	1	17	15577	DECAL, ATTENTION BATTERY	1
4	16102	DECAL, CAUTION READ MANUAL	1	11	34040	DECAL, TRAVEL BLOCK 4000 LBS.	2	18	15615	DECAL, WARNING TRAVELING BLOCK	1
5	16103	DECAL, USE 46AW HYD. OIL	1	12	22815	DECAL, BLOCK & HOOK WT. 30 lbs	1	19	23389	PLATE, SERIAL NO. MACH	1
6	24342	DECAL, 3612REE HORIZONTAL	2	13	32085	DECAL, LIFTING PERSONNEL	1				
7	22376	DECAL, ANGLE PENDULUM RIGHT	1	14	15579	DECAL, DANGER CABLES	1				

	Houston TX (713)-688-5533 www.liftmoore.com	DRWN BY: JE DATE: 2/17/11	DRAWING NO. <b>58395-A</b>
	<b>DECAL, 3612REE W/ ATB ON LEFT SIDE</b> L. S. ATB, HORN, GAUGE & E-STOP		

THIS PAGE INTENTIONALLY LEFT BLANK



HOUSTON, TEXAS  
FAX: (800) 824-5559 (USA & Canada)  
FAX: (713) 688-6324  
PHONE: (713) 688-5533  
[www.liftmoore.com](http://www.liftmoore.com)

## **LIFTMOORE LIMITED WARRANTY**

### Parts and Structural

Liftmoore, Inc. warrants each LIFTMOORE crane to be free from defects in materials and workmanship for twelve (12) months from the date of delivery to the original customer. Under the terms of this warranty the crane structural components manufactured by LIFTMOORE, Inc. are warranted for thirty-six (36) months from the date of delivery to the original customer. LIFTMOORE, Inc. will repair or replace, as its sole discretion, any equipment or part that is returned f.o.b. to LIFTMOORE, Inc.'s plant at 7810 Pinemont Drive, Houston, Texas 77040, or to one of its authorized dealers, and is found by LIFTMOORE, Inc. or its authorized dealer to have been defective at the time of original delivery.

The foregoing warranty is the exclusive warranty made by LIFTMOORE, Inc. with respect to its cranes and is in lieu of all other warranties. ANY AND ALL OTHER WARRANTIES, EXPRESS OR IMPLIED, INCLUDING ANY WARRANTY OF MERCHANTABILITY OR FITNESS OF ANY CRANE FOR A PARTICULAR PURPOSE OR OPERATION, ARE HERBY EXPRESSLY DISCLAIMED.

The foregoing warranty applies only to LIFTMOORE cranes under normal use and service and does not apply in the event of damage caused by repair or alteration or damage during shipment, accident, negligence, overloading, or misuse, including operator's failure to follow any of the instructions issued with the crane.

This warranty is limited to the original purchaser and is not assignable. In order to submit a claim, the original purchaser must provide a copy of the original invoice for the crane in question within twelve (12) months following the delivery date and within 30 days from the date of repair.

The warranty applies only when the LIFTMOORE crane is used for commercial purposes and does not cover any purchase for use for personal, family or household purposes.

**LIMITATION OF LIABILITY:** LIFTMOORE, Inc.'s liability for any losses or damages resulting from any cause whatsoever, including LIFTMOORE, Inc.'s NEGLIGENCE or from a defective crane irrespective of whether such defects are discoverable or latent, shall in no event exceed the purchase price of the crane to which losses or damages are claimed, or at the election of LIFTMOORE, Inc., the repair or replacement of the defective crane.

In no event shall LIFTMOORE, Inc. be liable for any special, incidental, or consequential damages, including commercial losses or costs of any kind sustained by purchaser or any other person or for any damages for which purchaser may be liable to other persons by reason of any defect in any LIFTMOORE crane or any part thereof.

LIFTMOORE, Inc. reserves the right to make changes in design or construction of its cranes at any time without obligating itself to make such changes on cranes previously manufactured.

No agent, employee, or representative of LIFTMOORE, Inc. has authority to amend or modify the foregoing warranty or to bind LIFTMOORE, Inc. by any other warranty, guaranty, or assumption of liability.

In the event any provision of this warranty is for any reason held ineffective, the remaining provisions shall remain in full force and effect.

Some states do not allow limitations on how long an implied warranty lasts or the exclusion or limitation of incidental or consequential damages, so the above limitations and exclusions may not apply to you. This warranty gives you specific legal rights, and you may also have other legal rights that vary from state to state.

