

TABLE OF CONTENTS
 USERS MANUAL P/N 25319
 4064XP-22; RZ TH1; HALL EFFECT TRIGGER
 ATB on left side; Rectangular Boom
 Hydraquip Manifold, Bail ATB

SECTION I

GENERAL OPERATION, INSPECTION, AND MAINTENANCE

| | | |
|----------------------------------|---------------|------|
| CRANE SAFETY RULES | F1122-B | 1-1 |
| INTRODUCTION..... | F1111-D | 1-3 |
| OPERATING RESTRICTIONS | F1112-F | 1-4 |
| OPERATING PRACTICES | F1112-F | 1-4 |
| INSPECTION AND MAINTENANCE | F1113-D | 1-10 |
| MONTHLY INSPECTION REPORT | F1123-B | 1-12 |
| ANNUAL INSPECTION REPORT | F1507-0..... | 1-13 |

SECTION II

CRANE SYSTEMS AND TROUBLESHOOTING

| | | |
|--|---------------|-----|
| PENDANT CONTROL SYSTEM | F1753-0..... | 2-1 |
| SAFETY SYSTEM | F1769-0..... | 2-2 |
| PROPORTIONAL HYDRAULIC SYSTEM..... | F1668-0..... | 2-3 |
| BASIC TROUBLESHOOTING CHART | F1117-F | 2-5 |
| CONTROL TROUBLESHOOTING CHART..... | F1796-0..... | 2-6 |
| TROUBLESHOOTING SAFTEY SYSTEM..... | F1254-A..... | 2-7 |
| TROUBLESHOOTING PROPORTIONAL SYSTEM..... | F1447-B..... | 2-8 |

SECTION III

CRANE SPECIFICATIONS

| | | |
|----------------------------------|---------------|-----|
| LIFTING CAPACITIES | F1301-C | 3-1 |
| POWER FUNCTIONS AND SPEEDS | F1301-C | 3-1 |
| BOLT AND LUBRICATION SPECS | F1301-C | 3-2 |
| CRANE LUBRICATION POINTS | F1301-C | 3-3 |

SECTION IV

PARTS

| | | |
|----------------------------------|-------------------|------|
| BOX PARTS LIST | F2007-0..... | 4-1 |
| CRANE ASSEMBLY..... | DWG.25318-A | 4-2 |
| PENDANT CONTROL..... | DWG.24694-0..... | 4-3 |
| RELAY BOX ASSEMBLY | DWG.22569-A | 4-4 |
| TRAVEL BLOCK ASSEMBLY | DWG.25068-0 | 4-5 |
| ANTI-TWO BLOCK ASSEMBLY | DWG.58403-D | 4-6 |
| BOOM-BODY ASSEMBLY | DWG.25137-B | 4-7 |
| ELEVATION CYLINDER ASSEMBLY..... | DWG.21521-C | 4-8 |
| BODY ASSEMBLY | DWG.24804-A | 4-9 |
| MANIFOLD ASSEMBLY I..... | DWG.24821-A | 4-10 |
| MANIFOLD ASSEMBLY PART II | DWG.24822-A | 4-11 |
| BASE-HOUSING ASSEMBLY | DWG.24801-B | 4-12 |
| ROTATION SPEED REDUCER..... | DWG.21605-0..... | 4-13 |
| HYDRAULIC SWIVEL..... | DWG.22243-C | 4-14 |



TABLE OF CONTENTS

USERS MANUAL P/N 25319
4064XP-22; RZ TH1; HALL EFFECT TRIGGER
ATB on left side; Rectangular Boom
Hydraquip Manifold, Bail ATB

| | | |
|-----------------------------------|-------------------|------|
| BOOM ASSEMBLY – 22 FT | DWG.25063-B | 4-15 |
| BOOM OUTER ASSEMBLY – 22 FT | DWG.25062-0 | 4-16 |
| BOOM INNER ASSEMBLY – 22 FT | DWG.25135-B | 4-17 |
| WINCH | DWG.22913-A | 4-18 |
| WINCH BRAKE | DWG.50594-A | 4-19 |
| ELECTRICAL WIRING HARNESS | DWG.25317-0 | 4-20 |
| ELECTRICAL SCHEMATIC | DWG.50826-0 | 4-21 |
| HYDRAULIC SCHEMATIC | DWG.50813-0 | 4-22 |
| DECAL DIAGRAM | DWG.58369-0 | 4-23 |

WARRANTYF1442-A



F2006-B
04/05/13

HOUSTON, TEXAS
FAX: (800) 824-5559 (USA & Canada)
FAX: (713) 688-6324
PHONE: (713) 688-5533
www.liftmoore.com

CRANE SAFETY RULES

CAUTION!

1. READ AND UNDERSTAND OPERATOR'S MANUAL.
2. INSPECT VEHICLE AND CRANE, INCLUDING ITS OPERATION BEFORE DAILY USE.
3. USE THIS EQUIPMENT ONLY ON SOLID LEVEL GROUND WITH OUTRIGGERS OR JACKSTANDS PROPERLY SET.
4. BEFORE OPERATING THE CRANE REFER TO MAXIMUM LOAD CHART ON CRANE FOR OPERATING LOAD LIMITS.
5. BE SURE LOAD BEING LIFTED IS WITHIN SAFE WINCH CAPACITY AS WELL AS SAFE CRANE CAPACITY. MULTI-PART LINE OPERATION IS REQUIRED WHEN SINGLE LINE LOAD CAPACITY OF WINCH IS EXCEEDED.
6. DO NOT OPERATE, WALK, OR STAND UNDER THE BOOM OR ANY SUSPENDED LOAD.
7. ALWAYS PAY OUT LOAD LINE BEFORE EXTENDING BOOM. WIRE ROPE DAMAGE AND / OR BREAKAGE MAY OCCUR.
8. BOOM MUST BE IN ITS REST BEFORE MOVING VEHICLE.
9. BOOM TIP MUST BE DIRECTLY OVER THE LOAD BEFORE ANY LIFTING IS STARTED. DO NOT DRAG LOADS WITH THIS CRANE.
10. MAINTAIN THIS CRANE AS REQUIRED IN THE OWNER'S MANUAL.
11. DO NOT ALLOW PERSONNEL TO RIDE ON THE LOAD LINE, LOAD, OR BOOM OF THIS CRANE.
12. IT IS UNLAWFUL TO OPERATE THIS EQUIPMENT WITHIN TEN FEET OF HIGH VOLTAGE LINE



F1122-B
05/12/08

HOUSTON, TEXAS
FAX: (800) 824-5559 (USA & Canada)
FAX: (713) 888-6324
PHONE: (713) 688-5533
www.liftmoore.com

THIS PAGE INTENTIONALLY LEFT BLANK



F1122-B
05/12/08

HOUSTON, TEXAS
FAX: (800) 824-5559 (USA & Canada)
FAX: (713) 688-6324
PHONE: (713) 688-5533
www.liftmoore.com

INTRODUCTION

This crane is a powerful machine designed to lift and move heavy loads. There are many hazards associated with these operations. Liftmoore has designed this crane to be as safe as possible but -

IT IS THE OPERATOR'S RESPONSIBILITY TO PREVENT ACCIDENTS!

This takes pre-planning, attention, and knowledge of basic principles and rules. Even if you have used similar cranes, reading this manual in its entirety will help prevent damage, injury, or even loss of life; benefits well worth the short amount of time it takes to read these pages.

REGULATORY AUTHORITY

Use of this crane is governed by OSHA 29 CFR 1910.180 and may be governed by other federal, state, or local regulations.

IT IS THE OPERATOR'S RESPONSIBILITY TO UNDERSTAND AND COMPLY WITH ALL APPLICABLE REGULATIONS GOVERNING THE OPERATION, INSPECTION, AND MAINTENANCE OF THIS CRANE.

Personnel should be trained, tested, and certified, as recommended by OSHA and ANSI standards, before operating this crane.

USING THIS MANUAL

This manual assumes that the crane is mounted on a typical service body type or similar truck, which is powered by the vehicle electrical or hydraulic system, and is controlled by either the standard pendant control or FM radio control sold by Liftmoore, Inc.

This manual is supplied to provide basic guidelines for the safe use, routine maintenance, and general inspections of this crane.

This manual is supplied to provide basic guidelines for the safe use, routine maintenance, and general inspections of this crane.

Laws, regulations, standards, or policies may be more restrictive than this manual. If a conflict exists for any limit or condition, the safest or most prohibitive shall be used. Under no circumstances shall the load, moment, or stability ratings be exceeded.

Pay particular attention to the following:

WARNING! – Draws attention to hazards, conditions, or procedures that if not observed could result in injury or death.

CAUTION! – Draws attention to hazards, conditions, or procedures that if not observed could result in damage to the crane, load, or other equipment. Equipment failure could in turn lead to injury or death.

NOTE! – Draws attention to conditions or procedures that are essential to emphasize.

For questions, interpretations, or to report errors, please contact Liftmoore, Inc, Engineering Dept.



OPERATING RESTRICTIONS

DUTY CYCLE

For Electric Cranes the duty cycle time should be limited to 10%. This is limited by heat buildup in the motors and declining charge in the batteries. (Installing extra batteries near the crane helps keep the voltage at maximum.)(applies to Electric pump and winch only)

PERSONNEL

LIFTING OR MOVING OF PERSONNEL IS STRICTLY PROHIBITED! This crane was neither designed nor intended to lift personnel. Under no circumstances should anyone be allowed to ride on the crane, line, or load. All non-essential personnel must be kept away when using the crane. The load must never be moved over people, nor must anyone be allowed to pass or stand under a suspended load.

ELECTRICAL LINES

Consult ANSI B30.5 for operating procedures, minimum safe distances, and prohibited zones when working around electrical lines or poles.

When operating near electrical power lines, the crane must be positioned so that the distance from the crane to the lines or poles is equal to or greater than the length of the fully extended boom plus the minimum safe distance required.

All parts of the crane, line, and load must be kept a minimum safe distance from electrical power lines and poles. This distance is 10 feet for electrical lines carrying 50kV or less.

UNDER NO CIRCUMSTANCES SHOULD A CRANE BE OPERATED UNDER ELECTRICAL POWER LINES.

REQUIRED CLEARANCE FOR NORMAL VOLTAGE IN OPERATION NEAR HIGH-VOLTAGE POWER LINES AND OPERATION IN TRANSIT WITH NO LOAD AND BOOM OR MAST LOWERED

| Normal Voltage, kV (phase to phase) | Minimum required Clearance ft (m) [note (1)] |
|--|--|
| Operation Near High Voltage Power Lines | |
| Up to 50 | 10 (3.05) |
| Over 50 to 200 | 15 (4.60) |
| Over 200 to 350 | 20 (6.10) |
| Over 350 to 500 | 25 (7.62) |
| Over 500 to 750 | 35 (10.67) |
| Over 750 to 1,000 | 45 (13.72) |
| Operation in Transit With no Load and Boom or Mast Lowered | |
| Up to 0.75 | 4 (1.22) |
| Up to 0.75 to 50 | 6 (1.83) |
| Up to 50 to 345 | 10 (3.05) |
| Up to 345 to 750 | 16 (4.87) |
| Up to 750 to 1,000 | 20 (6.10) |

NOTE:

- (1) Environmental conditions such as fog, smoke, or precipitation may require increased clearances.

OPERATING PRACTICES

SETUP

POSITION The vehicle must be positioned so that the load is kept as close to the crane base as possible to reduce the moment on the crane. Consideration must be given to starting and ending position as well as firmness and slope of the ground and any obstructions.

OUTRIGGERS The outriggers or jackstands must be firmly set and the vehicle as level as possible. This will reduce the stresses on the rotation drive and keep the load off the vehicle's suspension. Keep in mind that the weight on the vehicle will shift as the crane and load is rotated.

MANUAL BOOM EXTENSION If the manual extension part of the boom is



F1112-F
7/5/12

HOUSTON, TEXAS
FAX: (800) 824-5559 (USA & Canada)
FAX: (713) 688-6324
PHONE: (713) 688-5533
www.iftmoore.com

needed, it must be extended and the boom pin placed in the required position. Insert the pin and replace the pin's hairpin keeper before attempting to lift any load.

LOAD LIMIT The operator must understand the crane load chart. The operator must ensure that the load is within the load limits over the entire range which it will be moved. Be sure to include the weight of any lifting devices including the travel block.

The load limit chart is attached to the side of the crane to aid the operator.

The boom angle indicator and chart aids the operator in determining the load capacity at various boom angles and extensions. It also gives the load limit at that configuration.

STABILITY A stability chart must be posted near the crane. The operator must understand the stability chart. The crane may be de-rated over some areas of its operating radius.

TRAVEL BLOCK The operator must determine if the load is within the single line compatibility of the winch or if a multi-part line configuration is needed.

REEVING Ensure the proper routing of the rope through the sheaves and travel block. The rope must lie in the sheave groove and must not rub against any metal objects.

Ensure the rope is correctly wound on the winch drum. The crane assembly drawing will indicate if the rope must be wound over the top or bottom of the drum. The rope must never contact any part of the winch mounting.

WARNING!

If the winch winding direction is reversed the brake will not work and the load will fall.

ATTACHING THE LOAD

POSITION The boom tip must be moved over the load before lifting so that it will be lifted straight up.

CAUTION!

Never drag a load with the crane. Dragging a load puts very high stresses on the crane for which it was not designed.

ROPE Check the rope condition to ensure it is not frayed or damaged. Ensure that the rope is not kinked and that it does not contact any sharp edges or make any sharp bends.

If using double line configuration, ensure that the lines are not twisted.

CAUTION!

Never wrap the hoist rope around the load! Serious damage to the rope WILL occur.

HOOK Always make sure the load is applied to the throat of the hook. Never use a bent hook.

CAUTION!

Always lift with the throat of the hook. Never lift with the load applied to the tip of the hook. Doing so will bend the hook.

SLINGS If the load does not have a lifting eye, use a nylon, chain, or other type of sling designed for lifting and rated for loads greater than that being lifted.

BALANCE Ensure the load will be secure and balanced when lifted. Ensure that the load cannot shift in the sling and that the sling cannot slide across the hook should the load become unbalanced.



1-6

LIFTING THE LOAD

Before lifting, ensure that the load is free from all mountings and is no way attached or stuck to anything.

Ensure that at least five full wraps remain on the winch drum at all times.

Test the winch brake by lifting the load a few inches and ensuring that it does not slip.

HOLDING THE LOAD

The operator must keep the load in sight at all times once it is lifted.

The operator must never leave the controls once the load is lifted.

The operator must ensure that no one is allowed to pass or stand under a suspended load.

CAUTION!

Never move the vehicle with a suspended load. Doing so will put dynamic loads on the crane for which it was not designed.

MOVING THE LOAD

Before moving the load, make sure the path is free of any obstructions or people.

Avoid sudden accelerations or stops. Speeds must be kept to a minimum, especially rotation, to keep the load from swinging.

Avoid sudden reversing of direction. Do not reverse direction while the load is still moving.

Make sure that no part of the crane, boom, or load makes contact with any obstruction or comes within a minimum of ten feet from any electrical line.

TRANSIT

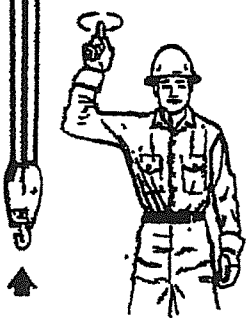
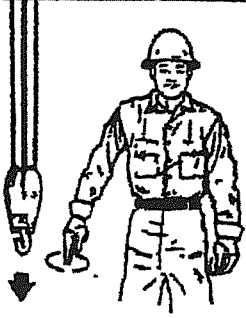


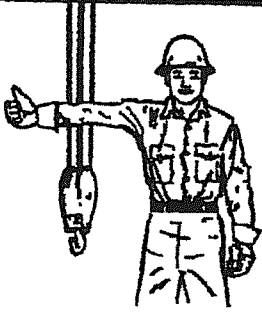
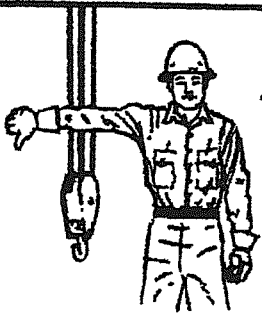
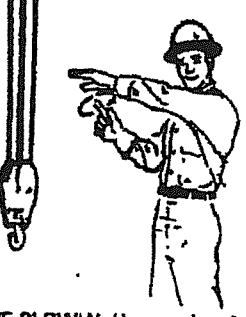
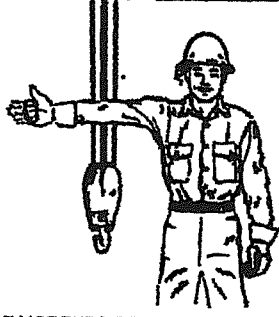
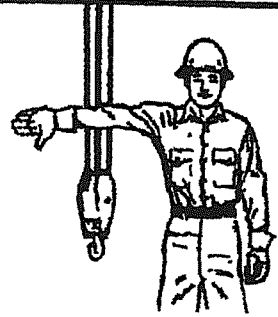
While in transit, the crane must be stowed, preferably in a boom rest. The crane must be prevented from rotating and the hook prevented from swinging.



F1112-F
7/5/12

HOUSTON, TEXAS
FAX: (800) 824-5559 (USA & Canada)
FAX: (713) 688-6324
PHONE: (713) 688-5533
www.liftmoore.com

Standard Hand Signals for Controlling Crane Operations

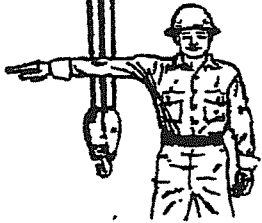
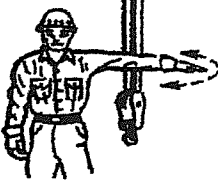
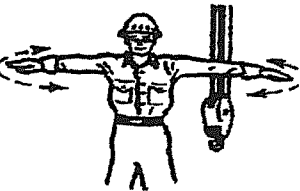
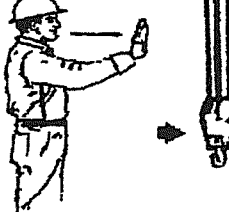
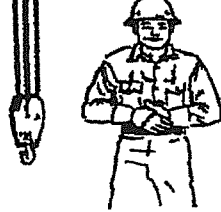




| | | |
|---|---|--|
|  <p>HOIST. With forearm vertical, forefinger pointing up, move hand in small horizontal circle.</p> |  <p>LOWER. With arm extended downward, forefinger pointing down, move hand in small horizontal circle.</p> |  <p>USE MAIN HOIST. Tap fist on head; then use regular signals.</p> |
|  <p>USE WHIPLINE (Auxiliary Hoist). Tap elbow with one hand; then use regular signals.</p> |  <p>RAISE BOOM. Arm extended, fingers closed, thumb pointing upward.</p> |  <p>LOWER BOOM. Arm extended, fingers closed, thumb pointing downward.</p> |
|  <p>MOVE SLOWLY. Use one hand to give any motion signal and place other hand motionless in front of hand giving the motion signal. (Hoist slowly shown as example.)</p> |  <p>RAISE THE BOOM AND LOWER THE LOAD. With arm extended, thumb pointing up, flex fingers in and out as long as load movement is desired.</p> |  <p>LOWER THE BOOM AND RAISE THE LOAD. With arm extended, thumb pointing down, flex fingers in and out as long as load movement is desired.</p> |



F1112-F
7/5/12

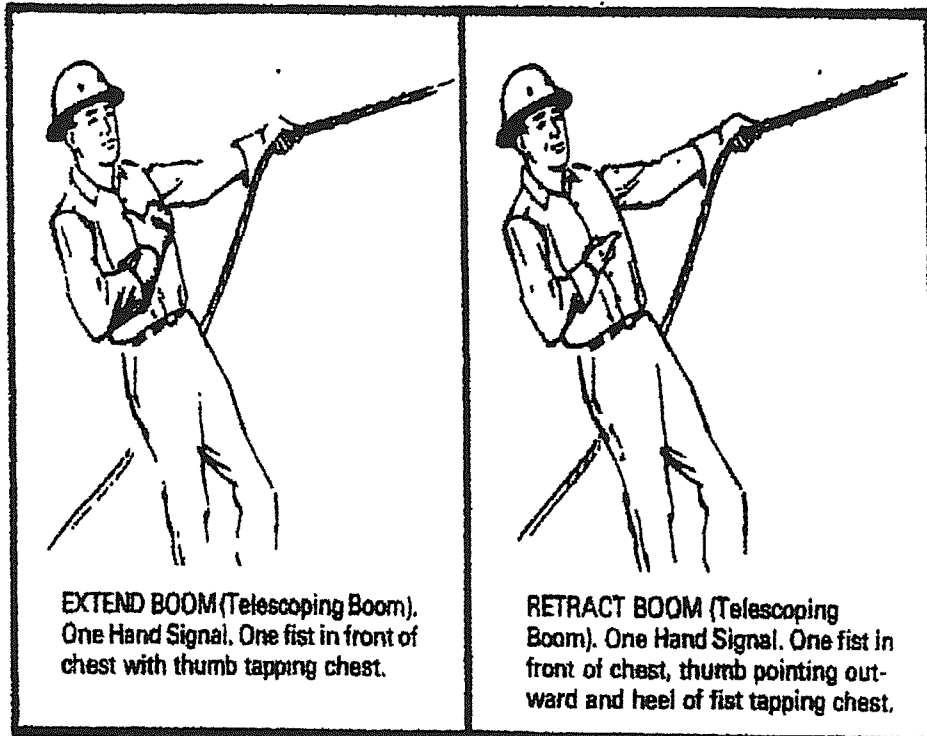
HOUSTON, TEXAS
 FAX: (800) 824-5559 (USA & Canada)
 FAX: (713) 688-6324
 PHONE: (713) 688-5533
 www.liftmoore.com

Standard Hand Signals for Controlling Crane Operations (Cont'd)

| | | |
|---|---|--|
|  <p>SWING. Arm extended, point with finger in direction of swing of boom</p> |  <p>STOP. Arm extended, palm down, move arm back and forth horizontally</p> |  <p>EMERGENCY STOP. Both arms extended, palms down, move arms back and forth horizontally.</p> |
|  <p>TRAVEL. Arm extended forward, hand open and slightly raised, make pushing motion in direction of travel.</p> |  <p>DOG EVERYTHING. Clasp hands in front of body.</p> |  <p>TRAVEL (Both Tracks). Use both fists in front of body, making a circular motion about each other, indicating direction of travel, forward or backward. (For land cranes only.)</p> |
|  <p>TRAVEL (One Track) Lock the track on side indicated by raised fist. Travel opposite track in direction indicated by circular motion of other fist, raised vertically in front of body. (For land cranes only.)</p> |  <p>EXTEND BOOM (Telescoping Booms). Both fists in front of body with thumbs pointing outward.</p> |  <p>RETRACT BOOM (Telescoping Booms). Both fists in front of body with thumbs pointing toward each other.</p> |



HOUSTON, TEXAS
 FAX: (800) 824-5559 (USA & Canada)
 FAX: (713) 688-8324
 PHONE: (713) 688-5533
 www.iftmoore.com

Standard Hand Signals for Controlling Crane Operations (Cont'd)

HOUSTON, TEXAS
FAX: (800) 824-5559 (USA & Canada)
FAX: (713) 688-6324
PHONE: (713) 688-5533
www.liftmoore.com

INSPECTION AND MAINTENANCE

OSHA and ANSI require frequent and periodic inspections. Records of these inspections must be kept readily available. Liftmoore requires periodic maintenance to ensure proper operation and prolonged life of the crane.

INSPECTION

DAILY INSPECTION

OSHA 29CFR 1910.180 (d)(2)(i) requires the following be checked daily prior to use:

- All control mechanisms for maladjustment interfering with proper operation as well as for excessive wear of components and contamination by lubricants or other foreign matter.
- All safety devices for malfunction. This should include the anti-two block and pressure switch.
- Deterioration or leakage in air or hydraulic systems.
- Crane hooks with deformations or cracks. For hooks with cracks or having more than 15 percent in excess of normal throat opening or more than 10 deg. twist from the plane of the unbent hook.
- Electrical apparatus for malfunctioning, signs of excessive deterioration, dirt, and moisture accumulation. This should include the battery terminals, master disconnect switch, electrical swivel
- The wire rope shall be replaced if any of the following conditions are noted:

- Kinking, crushing, bird-caging, or other damage
- Reductions from nominal diameter of more than one-sixty-fourth inch for diameters up to and including five-sixteenths inch, one-thirty-second inch for diameters three-eighths inch to and including one-half inch.
- Thimble is not in place or is damaged
- Any evidence of heat damage
- Six or more randomly distributed broken wires in 1 lay
- Three or more broken wires in 1 strand in 1 lay

MONTHLY INSPECTION

A thorough inspection of all ropes in use shall be made at least once a month and a certification record which includes the date of inspection, the signature of the person who performed the inspection and an identifier for the ropes shall be prepared and kept on file where readily available. All inspections shall be performed by an appointed or authorized person. Any deterioration, resulting in appreciable loss of original strength shall be carefully observed and determination made as to whether further use of the rope would constitute a safety hazard. Some of the conditions that could result in an appreciable loss of strength are the following:

- Reduction of rope diameter below nominal diameter due to loss of core support, internal or external corrosion, or wear of outside wires.
- A number of broken outside wires and the degree of distribution of concentration of such broken wires.



F1113-D
10/27/10

HOUSTON, TEXAS
FAX: (800) 824-5558 (USA & Canada)
FAX: (713) 688-6324
PHONE: (713) 688-5533
www.liftmoore.com

- Worn outside wires.
- Corroded or broken wires at end connections.
- Corroded, cracked, bent, worn, or improperly applied end connections.
- Severe kinking, crushing, cutting, or unstranding.

PERIODIC INSPECTION

An Annual Inspection Form is included in this manual. OSHA 29CFR 1910.180 (d)(2)ii) requires periodic inspections of this crane. Liftmoore recommends an annual inspection using the included form.

MAINTENANCE PRECAUTIONS

The crane should be maintained monthly for safety reasons and to reduce stress on the crane.

WARNING!

Never perform any maintenance while the crane has any type of load on it. Use the manual operation procedure to lower the load if necessary.

WARNING!

Hydraulic cylinders may have high pressure stored in them even after hydraulic power is removed.

The counterbalance and pilot operated check valve in the cylinder will always hold some pressure in the cylinder. Slightly extending the cylinder then retracting a small amount will relieve most of the pressure in the cylinder. **DO NOT DEADHEAD THE CYLINDER!** This will store the maximum amount of pressure in the cylinder. Care should be taken when either valve is removed from the cylinder as some pressure will still remain.

After any maintenance has been performed the crane shall not be operated until all guards have been reinstalled, all safety

devices reactivated, and maintenance equipment removed.

LUBRICATION Refer to the crane specification section for the periodic maintenance schedule and type of lubrication required.

BOLTS Bolts may loosen over time due to vibration; therefore they should be checked periodically. If bolts need to be replaced, make sure they are replaced with bolts of equal or greater strength. Check the periodic maintenance schedule (Crane Specification Section) for bolt specification and torque.

NOTE!

Sheave and boom and cylinder pivot bolts are not standard bolts. The shank and thread length of these bolts have been modified so that they do not pivot on the threads. Consult the parts section of this manual for part numbers of these bolts.

OTHER MAINTENANCE

Refer to parts drawings for any specific maintenance or adjustment procedures such as hydraulic winch brake, rotation drive gear set adjustment, Ect.



F1113-D
10/27/10

HOUSTON, TEXAS
FAX: (800) 824-5559 (USA & Canada)
FAX: (713) 688-6324
PHONE: (713) 688-5633
www.liftmoore.com

MONTHLY INSPECTION REPORT

Crane Model No. _____ Serial Number _____

- | | | |
|--|-----------|----------|
| Are Boom Hitch Pins and Keepers In place? | Yes _____ | No _____ |
| Wire Line Hook with Safety Latch Working? | Yes _____ | No _____ |
| Is Hook OK, (Not bent)? | Yes _____ | No _____ |
| Is Thimble on Wire Rope OK? | Yes _____ | No _____ |
| Is Travelling Block in use? | Yes _____ | No _____ |
| Is Wire Rope OK, not kinked or frayed? | Yes _____ | No _____ |
| Are all Boom Sections straight? | Yes _____ | No _____ |
| Are Sheave Bolts in place and tight? | Yes _____ | No _____ |
| Do all Sheaves rotate easily? | Yes _____ | No _____ |
| Are Mounting Bolts tight? | Yes _____ | No _____ |
| Is Anti Two-Block functioning properly? | Yes _____ | No _____ |
| Is Boom Angle Indicator in place and functioning and is Chart legible? | Yes _____ | No _____ |
| Are Cylinder Mounting Bolts secure? | Yes _____ | No _____ |
| Are Winch Mounting Bolts tight? | Yes _____ | No _____ |
| When stopped does winch drift less than 1.0 inches? | Yes _____ | No _____ |
| Is Load Chart in place and easily read? | Yes _____ | No _____ |
| Are functions on Pendant operating correctly? | Yes _____ | No _____ |
| Is Hydraulic Reservoir full? | Yes _____ | No _____ |
| Is Outrigger straight and functioning? | Yes _____ | No _____ |

Any items checked 'No' must be repaired before using this crane.



F1123-B
03/26/07

HOUSTON, TEXAS
 FAX: (800) 824-5559 (USA & Canada)
 FAX: (713) 688-6324
 PHONE: (713) 688-5533
 www.iftmoore.com

ANNUAL CRANE CERTIFICATION (29CFR1910.180)

OWNER _____

MODEL NUMBER _____ SERIAL NUMBER _____

DATE _____

Check the following: *Crane Mounting Bolts (Torque)* *Winch mounting Bolts (Torque)* *Boom mounting bolts* *Cylinder mounting bolts* *Cracks on boom (Check when extended)* *Extension Pads not worn excessively* *Cracks on housing* *Weld cracks on boom* *Weld cracks on housing* *Boom swing approximately one inch or less at boom tip when retracted* *Hydraulic leaks* *Hoses not chafed or cracked**Sheaves not cracked* *Boom Tip* *Traveling Block* *Sheaves not worn excessively* *Boom Tip* *Traveling Block* *Sheaves rotate freely* *Boom Tip* *Traveling Block*

Load Chart in place and legible

Boom angle chart in place and legible

Labels in place (See manufacturer's chart)

Crane Hook Throat Opening within 15% of standard

Crane Hook not bent more than 10 degrees from plane

Hook safety latch operating properly

Booms pin(s) and Keeper(s) in place (Manual Extension Section)

Wire Rope removed if the following occurs:

Six randomly distributed broken wires in one lay or three broken wires in one strand in one lay.

Wear of one-third the original diameter of outside individual wires.

Kinking, crushing, bird-caging or any other damage.

Evidence of heat damage.

Reduction from nominal diameter of more than one sixty-fourth inch for diameters to five-sixteenths diameter and one-thirty-second inch for diameters three-eighths to one-half inch.

Wire Line installed as manufacturer requires.

Protective covers in place

Grease crane as required

Check fluid level

Winch

Gearbox

Reservoir

Control system for proper operation *Winch Up and Down* *Boom Up and Down* *Boom In and Out* *Rotation CW and CCW**Anti Two-Block (Required on Power Extendible Cranes) interrupts:* *Boom Down* *Boom Out* *Winch Up* *Boom Up stopped by Up Limit Switch* *Outrigger or jackstand operable* *Outrigger crushing decal in place* *Outrigger and Jackstand operates properly* *Boom rest in place and used* *Load Sensor trips when overloaded* *Winch Down does not overrun when stopped* *Crane stability chart in place and visible.*

I certify that I have performed the above tests and that any deficiencies were corrected and now comply as above.

Signed _____

Print Name _____

Company _____

Address _____

City _____ *State* _____

I:\FORMS\F1507-0.doc

F1507-0

6/26/12

THIS PAGE INTENTIONALLY LEFT BLANK



HOUSTON, TEXAS
FAX: (800) 824-5559 (USA & Canada)
FAX: (713) 688-6324
PHONE: (713) 688-5533
www.liftmoore.com

ON/OFF PENDANT CONTROL SYSTEM

Liftmoore cranes are electrically controlled using the hand-held pendant, which works in conjunction with the crane control module to operate powered functions.

PENDANT

All user inputs are facilitated by the remote pendant control. The pendant consists of pistol grip housing, wire, and control plug. The control plug mates with the crane control socket.

CRANE CONTROL MODULE

For ON/OFF (non-proportional) cranes the crane control module contains only the limiting system control board. It is a single printed circuit board enclosed in a rugged, sealed housing. Status LEDs are located on the circuit board to aid in troubleshooting.

The limiting system control is part of the safety system. Refer to that section for more information.

E-STOP

This feature is located on the pendant control box. The E-Stop button controls a relay in the crane's electrical power supply line. When depressed, electrical power is disconnected. To restore power you must turn button clock-wise until it pops back up

OPERATION

Plug the pendant into the crane control socket. Ensure all pins are straight and free of dirt, moisture, and corrosion. Turn the locking ring approximately 1/3 turn until it clicks into the locked position.

Select the function switch and direction as indicated on the label for the desired operation.

CARE AND MAINTENANCE

The pendant control is designed to be as rugged and maintenance free as possible; however, care should be used in handling and storage as it is expensive to replace.

Follow these simple practices:

- Keep the pendant out of the weather
- When not in use, store the pendant inside the vehicle or body compartment
- Do not wrap the wire too tightly as internal damage to the wires may result
- Do not place sharp or heavy object on the cord

NOTE!

The pendant is designed to be weatherproof not waterproof. It may be used in inclement weather, but if left outside or where water can puddle, water can seep inside.

Maintenance should be limited to routine inspection of the plug, wire, and fasteners.



SAFETY SYSTEM

The safety system is designed to help prevent damage to the crane that would be caused by overload or two-blocking. The system consists of a load sensor, anti-two block device (optional on smaller, electric cranes), and limiting system control board.

When the applicable switch detects an overloading or two-block condition, the limiting system will prevent activation of winch up, and extend out since these directions would cause damage. Winch down, boom down, boom up, extend in, and power rotation will still function so that the crane can be moved to a safe configuration.

CAUTION!

Never de-activate or override safety functions. Doing so can result in serious damage to the crane and possibly injury or death.

LOAD SENSOR

A pressure activated switch in the elevation cylinder acts as a load sensor. This switch is normally closed and opens at the preset pressure corresponding to the load rating of the crane.

CAUTION!

The load sensor will not function when the elevation cylinder is fully retracted and is inaccurate when the boom is below horizontal.

CAUTION!

The operator must never rely strictly on the load sensor to determine overload conditions. The load and load limits must always be known and adhered to.

ANTI-TWO BLOCK

The anti-two block device (optional on smaller electric cranes), mounted on the boom crown plate, consists of a normally open switch actuated by a lever. A weight is attached to the lever and holds the switch

closed. If the weight is lifted by the hook or travel block the switch opens.

The power and signal wires are wired through the cord reel, which is in turn wired to the ATB switch.

LIMITING SYSTEM CONTROL

Two systems are included to limit crane overloads and wire rope breakage. When a crane overload occurs, the load sensor will stop winch up, extension out and boom down. To prevent breaking the wire rope, the Anti Two-Block device stops winch up and extension out when either is engaged.

The capacity of boom up is limited by the pressure setting of the relief valve in the manifold.

There is a one second delay before the deactivation of boom down when the load sensor is tripped to prevent false readings caused by pressure spikes.

MISCELLANEOUS

UP LIMIT SWITCH

The up limit switch prevents the elevation cylinder from reaching full extension. If the elevation cylinder were to "dead-head", the resulting pressure would activate the load sensor, preventing boom down. The boom would then have to be lowered using the manual operation buttons on the solenoid valves.

CIRCUIT BREAKER, FUSE

For electric cranes a 150 Amp circuit breaker is supplied with the crane. It should be installed as close to the battery as possible. For hydraulic cranes a 10 Amp blade type fuse is supplied.

DISCONNECT SWITCH

A power disconnect switch is supplied with the crane. Power to the crane should be turned off whenever not in use. This is to prevent inadvertent or unauthorized use and will help prevent corrosion at electrical connections.



HYDRAULIC SYSTEM

Integrated Hyd Proportional

The hydraulic system consists of the hydraulic swivel, manifold with solenoid valves, cylinders, motors, and tubing and hoses. Hydraulic power is received from an external hydraulic source, typically a PTO driven pump attached to the vehicle transmission. The hydraulic system uses open center valves in series so that multiple functions can be operated simultaneously.

SWIVEL- (NOT USED IN 1032 OR 1640)

The hydraulic swivel is a two-port swivel that allows continuous, unlimited rotation. Refer to drawing for more information.

MANIFOLD - DWG 50771

The hydraulic manifold consists of a differential pressure sensing flow control valve, the system relief valve, proportional flow control valve, and 4 way directional control valves.

The Logic valve is a pilot operated pressure compensated flow control cartridge valve. It supplies the required flow to the manifold and returns excess flow to the tank so that pressure drop and heat build up are minimized.

The system relief valve prevents damage that would be caused by excessive pressure in the system. It is a cartridge type valve. Factory setting is 2800PSI.

The proportional valve is an electrically operated flow control valve. It allows the operator to control the flow, and therefore the speed, of the selected functions. The flow output is directly proportional to the electrical input. The valve may be operated manually by depressing the manual operation button on the top of the valve.

Each hydraulically operated function is controlled by a 4 way, 3 position open center solenoid valve. It is electrically operated and spring biased to center. A manual operation button is incorporated in the coil retaining nut.

CYLINDERS

Hydraulic cylinders are double acting cylinders with integrally mounted counterbalance valve and pilot operated check valves. Refer to the cylinder drawings for specific information.

All cylinders use a counter-balance load holding cartridge valve on the extend port. This valve performs 3 functions:

- Controls the rate of decent when lowering the load
- Keeps load from falling in the event of sudden loss of system pressure, such as when a hose bursts.
- Acts as a relief valve to prevent damage from induced load or thermal expansion.

It allows free flow to extend then blocks flow until opened by pilot pressure to the retract port or when the relief pressure is reached.

Some cylinders utilize a pilot operated check valve on the retract port to prevent the cylinder from creeping out under no load conditions. This valve allows flow into, but prevents flow from the retract port, thus hydraulically locking the cylinder until opened by pilot pressure to the extend port.

MOTORS

The hydraulic motors used by the rotation drive and hydraulic winch are high torque, low speed constant displacement motor.



F1668-0
04/19/10

HOUSTON, TEXAS
FAX: (800) 824-5559 (USA & Canada)
FAX: (713) 688-6324
PHONE: (713) 688-5533
www.liftmoore.com

MANUAL OPERATION

If electrical problems occur the solenoid valves may be operated manually. Refer to the manifold drawing for function valves and directions.

Directional control valves are manually operated by depressing the boot at the end of the valve. Use a blunt object (e.g. bolt or screwdriver handle) to assist in the operation.

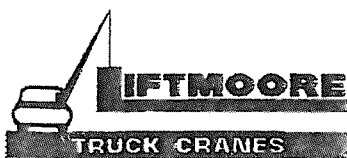
Proportional valves are operated with either a boot or a small screw. Depress the boot or turn the screw slowly while operating a function to determine optimum speed. Turning the screw all the way in will result in rapid crane movement.

If hydraulic power is lost while a load is suspended, the load may be lowered by decreasing the setting on the counterbalance valve. This should only be done in extreme cases. The valve must be reset before the crane is returned to use.

To decrease the setting, loosen the locknut on the valve, then slowly turn the adjustment stem **CLOCKWISE** until the load begins to lower. Count the number of turns so that the valve can be returned to its original setting.

Alternately, a pressure gage must be put on the retract port to adjust the setting so that approx. 1800 PSI is required to lower the boom with no load.

Test the setting by lifting a known load near the moment rating of the crane.



F1668-0
04/19/10

HOUSTON, TEXAS
FAX: (800) 824-5559 (USA & Canada)
FAX: (713) 688-6324
PHONE: (713) 688-5533
www.liftmoore.com

BASIC TROUBLESHOOTING

The following chart gives a quick reference to help identify and correct problems. Refer to the following pages for more detailed information.

| PROBLEM | PROBABLE CAUSE | CORRECTIVE ACTION |
|----------------------|---|--|
| NO FUNCTIONS WORK | <p>Not receiving electrical power</p> <p>Not receiving hydraulic power</p> <p>Control problem</p> | <p>Check all connections Check all fuses and circuit breakers Check for electrical power at first electrical connection and trace back to crane</p> <p>Check flow from pump Deadhead cylinder and check pressure at pump</p> <p>See control section</p> |
| FUNCTION NOT WORKING | <p>Boom down, winch up, extension out not working</p> <p>Relay card malfunction</p> <p>Boom down, winch down, extension in not working</p> <p>Not receiving enough pressure</p> <p>Other function not working</p> <p>Faulty wiring</p> <p>Valve coils bad</p> | <p>Check input signal to relay board if no signal, trace back to switch</p> <p>Check LEDs on board for error codes and outputs</p> <p>Deadhead cylinder and check pressure at pump</p> <p>Check differential pressure valve for contamination</p> <p>Check relief valve for proper setting and possible contamination</p> <p>Check all wiring for breaks or shorts Check all ground wires for good connection</p> <p>Check coil resistance</p> |
| ALL FUNCTIONS SLOW | <p>Not receiving enough flow</p> <p>Low battery voltage Check with engine running</p> <p>* Proportional valve problem</p> <p>* Control problem</p> | <p>Check fluid levels Check all filters and any other restrictions</p> <p>Charge battery (BATTERY MAY BE BAD)</p> <p>Try manual operation of proportional valve</p> <p>Check voltage at valve for approx. at min and max(see troubleshooting form for specific valves)</p> <p>See control section</p> |



F1117-F
10/28/10

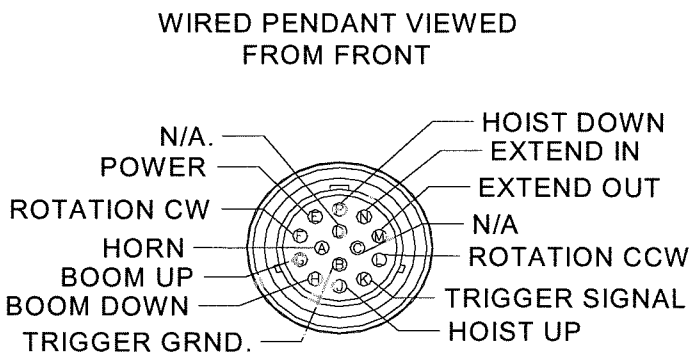
HOUSTON, TEXAS
FAX: (800) 824-5559 (USA & Canada)
FAX: (713) 688-6324
PHONE: (713) 688-5533
www.liftmoore.com

CONTROL TROUBLESHOOTING CHART

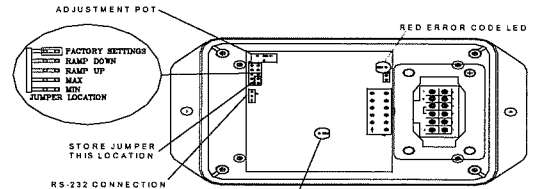
WIRE PENDANT

| | | |
|---|---|--|
| No functions working | Not receiving power | Check crane control socket Pin E ensure that it is receiving 12V With the plug disconnected, activate a function switch then check continuity between Pin E and the activated function/direction pin For example: activate Hoist Down and check for continuity between Pin E and Pin P |
| One function not working | Faulty wiring/switch malfunction | With the plug disconnected, activate the function that is not working and check for continuity between Pin E and corresponding function pin |
| All functions slow (APPLIES TO PROPORTIONAL CRANES ONLY) | Trigger problem Valve driver problem | Check Crane RELAY BOX for Error Codes and Proportional Output Voltage Calibrate valve driver board |

FIGURE



To Display an error code, the controller turns on and off the error code LED a certain number of times with a pause at the end. It repeats the code until the problem is resolved. The Error Code Chart is provided to assist the service personnel in troubleshooting the system.



ERROR CODE CHART

| ERROR CODE COUNT | PROBABLE CAUSE |
|------------------|---|
| 1 | No Input To ATB Switch Input |
| 2 | No Input To Pressure Switch Input Or Overload Condition |
| 3 | Short Or Overload To Winch Up Output |
| 4 | Short Or Overload To Elevation Down Output |
| 5 | Short Or Overload To Extension Out Output |
| 6 | Trigger Input Out Of Range |

Figure 2 CONTROL PLUG ON PENDANT 24694

**Figure 1 RELAY BOX
SEE DWG**



TROUBLESHOOTING SAFETY SYSTEM

DTCH Relay Card

To check functions controlled by the safety system check the status indicators. (See Relay Box Assembly drawing.) If only one of the safety functions is not working, activate that function and check for error codes and/or its output status indicator.

For non-FM systems, if the status indicator lights then the problem is in the wiring or in the solenoid coil. If the light does not illuminate, check the control pendant. If the control pendant is good then the crane control module needs to be replaced.

For FM systems, check for error codes. If none are present, see the FM Troubleshooting section.

If boom out, boom down and winch up are not working, confirm that the control board has power. Confirm that the board is receiving a signal from the ATB and load sensor.

If the error code is active, ensure that the crane is not overloaded and that the ATB lever is holding the switch closed. Check for voltage at the ATB and Load Sensor inputs.

CHECK LOAD SENSOR SWITCH

If the load sensor input is not receiving voltage, locate the load sensor connector inside the crane housing. The plug side will have a red wire and a gray wire, the receptacle side will have a red and a white wire.

Disconnect and check for continuity between the two pins on the receptacle (switch side). If there is no continuity then the load sensor is bad and needs to be replaced.

CHECK ATB SWITCH

If the ATB input is not receiving voltage remove the ATB housing cover and disconnect the connector. Check for continuity on the switch side. Lifting the weight should break the continuity. If either of these conditions is incorrect the switch is bad and needs to be replaced.

CHECK CORD REEL

Check the ATB switch if not done so already. Locate the ATB connector inside the crane housing. The plug side will have a red wire and a black wire. The receptacle side will have a white wire and a black wire.

Disconnect the plug going to the switch. Check for continuity between the two pins on the receptacle. Have someone lift the weight on the ATB and continuity should be broken. If either of these conditions are incorrect then the cord reel is bad and needs to be replaced.

CHECK POWER TO SAFETY SWITCHES

If the safety switch is good, check for voltage at pin 1 (the red wire) on the plug. If there is no voltage, follow the wire back to the 6-pin power distribution plug, checking for breaks or shorts.

Remove the power distribution receptacle (cap).

NOTE!

Removing the cap will disconnect power to all electrical components. Be sure to replace the cap before continuing.

Check the cap for bent pins. Check that all wires are fully seated in the plug. If they are not, then remove the green locking wedge and push the wires forward until seated. Reinstall the wedge ensuring that no wires are pushed back.



F1254-A
2/23/07

HOUSTON, TEXAS
FAX: (800) 824-5559 (USA & Canada)
FAX: (713) 688-6324
PHONE: (713) 688-5533
www.liftmoore.com

TROUBLESHOOTING THE PROPORTIONAL SYSTEM

21398 HALL EFFECT, 12V Duplomatic Coil

If no functions work or if all functions are slow when controlled by the pendant, but work correctly when the manual operation button is pressed on the proportional valve then the problem is with the proportional electronic control system.

Proportional Valve Parameters

| | |
|-------------------|-------|
| Cracking voltage | 2.6V |
| Full open voltage | 7.75V |
| Coil Resistance | 3.66Ω |

CHECK VOLTAGE AT VALVE

Have the engine running to generate sufficient voltage (13-14V). As the trigger is pulled the valve voltage should start near zero, jump to the valve cracking voltage after slight trigger travel, increase steadily as the trigger is pulled, reaching the full open voltage.

If the voltages are correct, check the resistance across the coil. If the resistance differs significantly from the nominal resistance replace the coil.



SECTION 3 CRANE SPECIFICATIONS

MODEL 4064 CRANES

MOMENT RATING 40 000 FT-LBS

MAX SINGLE LINE LOAD 3 200 LBS

MAX DOUBLE LINE LOAD 6 400 LBS

LIFTING CAPACITIES AT VARIOUS LOAD RADII

| LOAD RADIUS (FT) | CAPACITY (LBS) |
|---------------------|-------------------|
| <6.25 | 6400 |
| 6 | 6667 |
| 8 | 5000 |
| 10 | 4000 |
| 12 | 3333 |
| 14 | 2857 |
| 16 | 2500 |
| 18 | 2222 |
| 20 | 2000 |
| 22 | 1818 |
| 24 | 1661 |

POWERED FUNCTIONS AND EXPECTED TIMES

| | | | |
|----------------|----------|------------|--------------|
| WINCH | UP: 3.3s | DOWN: 3.8s | 1 REVOLUTION |
| BOOM ELEVATION | UP: 20s | DOWN: 20s | |
| BOOM EXTENSION | OUT: 41s | IN: 33s | |
| ROTATION | 90° 15s | | |

HYDRAULIC REQUIREMENTS

| | |
|----------|----------|
| PRESSURE | 2750 PSI |
| FLOW | 6 GPM |

ELECTRICAL REQUIREMENTS

| | |
|---------|--------|
| VOLTAGE | 12 VDC |
| FUSE | 15 AMP |

NOTE: FUNCTION TIMES ARE BASED ON THESE INPUT VALUES



F1301-C
04/02/09

HOUSTON, TEXAS
FAX: (800) 824-5559 (USA & Canada)
FAX: (713) 688-6324
PHONE: (713) 688-5533
www.liftmoore.com

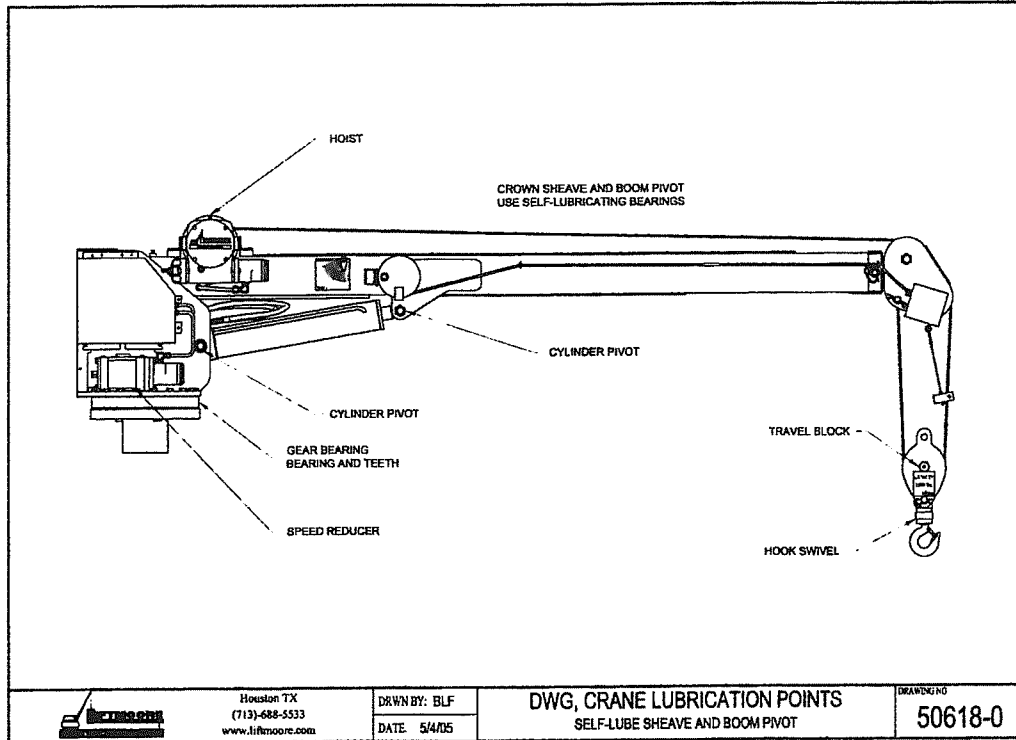
| PERIODIC MAINTENANCE SCHEDULE | | |
|-------------------------------|--|--------------------------------|
| MODEL 4064 CRANES | | |
| BOLTS | | |
| MOUNTING BOLTS | 7/8-9 GRADE 8 TORQUE 600FT-LBS DRY | EVERY 4 MONTHS |
| BEARING BOLTS | 5/8-11 GRADE 8 TORQUE 220FT-LBS DRY | EVERY 4 MONTHS |
| LUBRICATION | | |
| GREASE FITTINGS | SEE DRAWING 50048 | EVERY OTHER WEEK |
| HYDRAULIC FLUID | STANDARD Chevron AW Hydraulic Oil 46 or equivalent SAE 15 weight oil COLD WEATHER AW 32 or equivalent SAE 10 weight oil | CHECK DAILY, FILL AS NEEDED |
| WINCH GEARBOX | SAE 90, AGMA 5S | EVERY MONTH |
| ROTATION GEARBOX | EP 01 Grease | EVERY MONTH |
| BEARING (ZERK AND TEETH) | Oil Center Research PM 600 Military grease or equivalent Benton Based Grease NLGI Grade 2 | EVERY 6 HOURS OF OPERATION |
| BOOM | Coat with "Slip Plate" made by Superior Graphite or similar solid lubricant coating | AS NEEDED |



F1301-C
04/02/09

HOUSTON, TEXAS
FAX: (800) 824-5559 (USA & Canada)
FAX: (713) 688-6324
PHONE: (713) 688-5533
www.liftmoore.com

CRANE LUBRICATION POINTS



F1301-C
04/02/09

HOUSTON, TEXAS
 FAX: (800) 824-5559 (USA & Canada)
 FAX: (713) 688-6324
 PHONE: (713) 688-5533
 www.liftmoore.com

THIS PAGE INTENTIONALLY LEFT BLANK



F1301-C
04/02/09

HOUSTON, TEXAS
FAX: (800) 824-5559 (USA & Canada)
FAX: (713) 688-6324
PHONE: (713) 688-5533
www.liftmoore.com

LIST FOR BOX, CRANE PARTS 4064XP RZ TH1

Items with * have detailed DWG's.

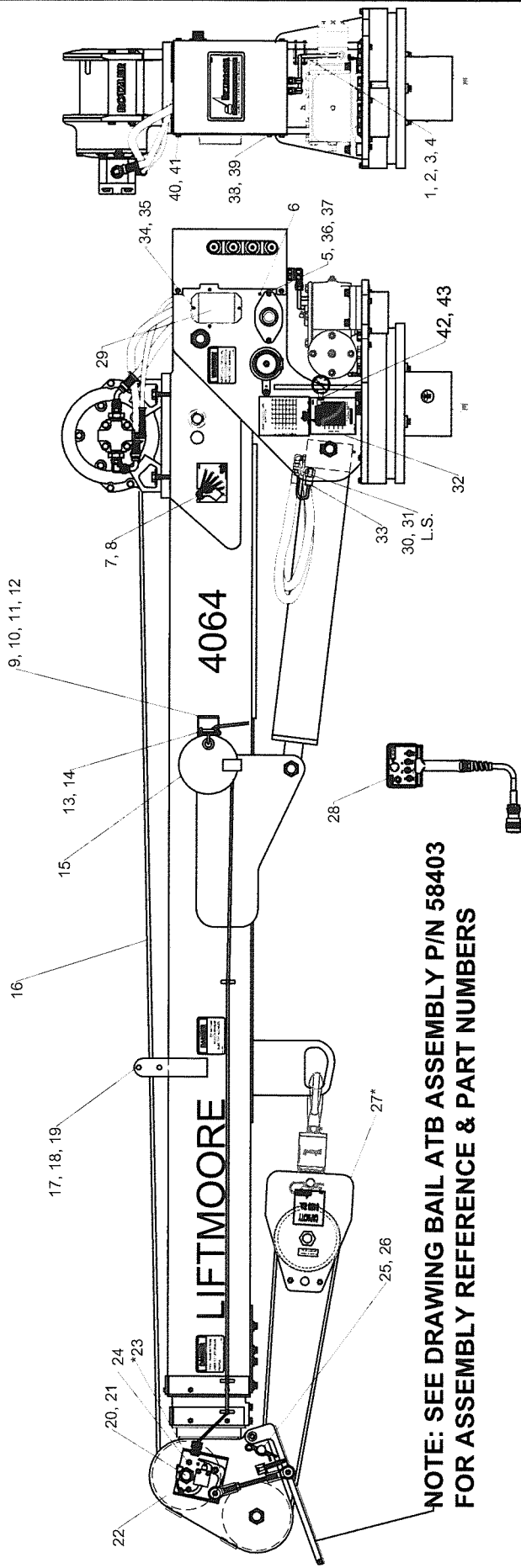
P/N 25320 - BOX, CRANE PARTS 4064XP-22 FT H.E.
REC. BOOM, RZ TH1, BAIL ATB

- 1) P/N 25319 - MANUAL, CRANE 4064XP-22 H.E.....1pc
- 2) *P/N 25068 - BLOCK, TRAV ASSY 6.4K lbs/6.5D..... 1pc
- 3) P/N 19487 - CW, 10 GA X 300".....1pc
- 4) P/N 18457 - FUSE HOLDER, ATO 12GA SEALED.....1pc
- 5) P/N 21154 - FUSE, 30 AMP BLADE.....1pc
- 6) P/N 32613 - ADAPTER, 8MJ-10MJ.....1pc
- 7) P/N 17012 - SWITCH, TOGGLE SPST MAINT. /S1pc
- 8) P/N 17011 - BRACKET, SWITCH MNT. HYD. CRN.....1pc
- 9) P/N 16781 - TERMINAL, RING 10-12 GA #8.....2pcs
- 10) P/N 17013 - PLATE, ON-OFF FOR TOGGLE SWCH.1pc
- 11) P/N 22431 - INSTALLATION INTS. 4064.....1pc
- 12) P/N 18600 - PLATE, CRANE-TRUCK STABILITY CHART.....1pc
- 13) P/N 24481 - DECAL, LOAD CAPACITY 40K 10-24.....1pc
- 14) P/N 23144 - LEVEL & TAPE ASSEMBLY.....1pc



F2007-0
11/5/12

HOUSTON, TEXAS
FAX: (800) 824-5559 (USA & Canada)
FAX: (713) 688-6324
PHONE: (713) 688-5533
www.liftmoore.com



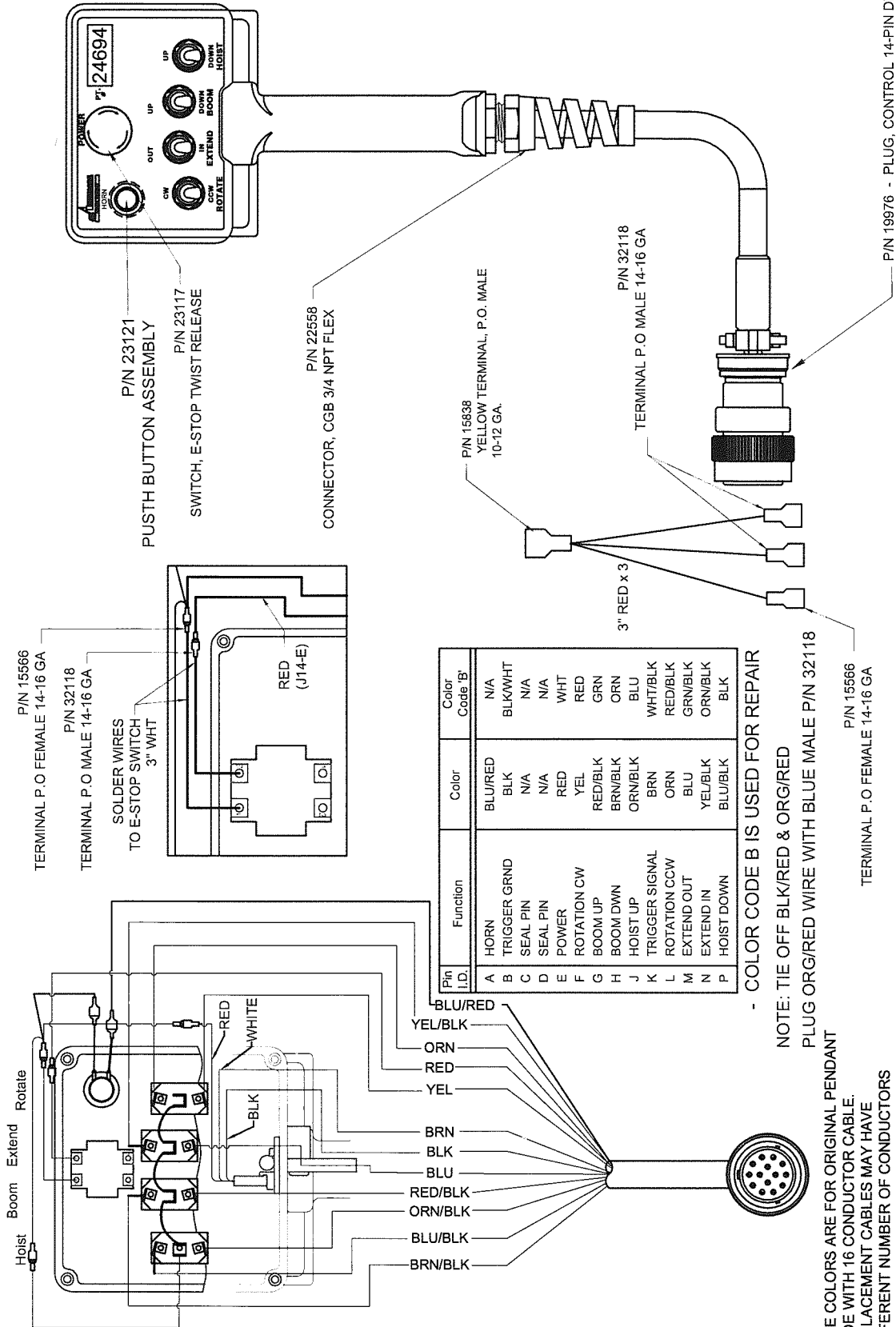
ITEMS WITH * HAVE DETAIL DRAWINGS

| # | PN | DESCRIPTION | QTY | # | PN | DESCRIPTION | QTY | # | PN | DESCRIPTION | QTY |
|----|-------|----------------------------------|-----|----|-------|----------------------------------|-----|----|-------|---------------------------------|-----|
| 1 | 22386 | SPACER, ELEV SWITCH MACH | 1 | 18 | 21634 | SCREW, HHC 0.50-13 X 8.50 PLT | 2 | 36 | 30809 | SCREW, HHC 0.25-20 X 0.50 GR5 | 2 |
| 2 | 20413 | SWITCH, LIMIT UP 2WNC-20 DTCH | 1 | 19 | 30835 | NUT, HEX NYLOC 0.50-13 GRADE 5 | 2 | 37 | 30889 | WASHER, LOCK 0.25-20 X 0.50 GR5 | 2 |
| 3 | 22392 | SCREW, SOC HD 10-24 X 2.50 SS | 2 | 20 | 34468 | SCREW, SHEAVE SINGLE 1-8 3.25 | 2 | 38 | 30809 | SCREW, HHC 0.25-20 X 0.50 GR5 | 1 |
| 4 | 33409 | NUT, HEX NYLOC 10-24 GR2 | 2 | 21 | 30838 | NUT, HEX NYLOC 1.00-8 GRADE 5 | 2 | 39 | 30889 | WASHER, LOCK 0.25 GR5 PLATED | 1 |
| 5 | 25317 | EWH, DTCH HYD 4064XP ATB-BD | 1 | 22 | 20541 | SHEAVE ASSY 6.58PD X 0.37 ROPE | 2 | 40 | 30809 | SCREW, HHC 0.25-20 X 0.50 GR5 | 4 |
| 6 | 30989 | SCREW, HWHSMS #8 X 0.50 | 1 | 23 | 25149 | ATB BAIL ASSY, DEUTSCH CONNECTOR | 1 | 41 | 30889 | WASHER, LOCK 0.25 GR5 PLATED | 4 |
| 7 | 22394 | PENDULUM, LOAD RADIUS DIA. HD | 2 | 24 | 32957 | CLAMP, HOSE SUPPORT 0.62 ID | 1 | 42 | 23123 | PRESSURE, GAUGE 0-3000 PSI | 1 |
| 8 | 31017 | SCREW, SHOULDER 0.31-18 X 0.75 | 2 | 25 | 32658 | PIN, CLEVIS 0.87 X 3.50 PLATED | 1 | 43 | 23135 | ADAPTER, 4FP-6F-JX SWIVEL | 1 |
| 9 | 70012 | BRACKET, CORD REEL | 1 | 26 | 31948 | CLIP, HAIRPIN 0.87 - 1.00 | 1 | | | | |
| 10 | 30833 | NUT, HEX NYLOC 0.25-20 GR2 | 2 | 27 | 25068 | BLOCK, TRAV ASSY 6.4K lbs/6.5D | 1 | | | | |
| 11 | 31110 | WASHER, FLAT 0.25 GR5 PLATED | 2 | 28 | 24694 | CONTROL, PENDANT XP HALL TRIG | 1 | | | | |
| 12 | 30457 | SCREW, HHC 0.25-20 X 0.75 GR5 | 2 | 29 | 22569 | BOARD, RELAY 3RD G XP ATB-BD | 1 | | | | |
| 13 | 33410 | SCREW, MH RD 10-24 X 3.00 | 2 | 30 | 22391 | SCREW, S.WALK 0.25-20 X 1.0 SS | 1 | | | | |
| 14 | 33409 | NUT, HEX NYLOC 10-24 GR2 | 1 | 31 | 22390 | NUT, HEX JAM 0.25-20 SS | 1 | | | | |
| 15 | 20407 | REEL, CORD 20 FT ASSY DTCH | 1 | 32 | 21198 | PLATE, SERIAL 4064 | 1 | | | | |
| 16 | 32384 | ROPE, WIRE 0.375 X 95' W/THIMBLE | 1 | 33 | 23264 | SWITCH, PRES ASSY 2400PSI DTCH | 1 | | | | |
| 17 | 21631 | ROLLER, ROPE 4064 NYLON | 1 | 34 | 17164 | SCREW, SOC HD 10-24 X 0.62 SS | 1 | | | | |
| | | | | 35 | 32639 | WASHER, LOCK #10 GR2 PLATED | 2 | | | | |

NOT SHOWN:

- 19847 CONNECTOR, DTCH 2P PLUG
- 19845 CONNECTOR, DTCH 2P RECEPT
- 19846 WEDGE, DEUTSCH 2P PLUG
- 19848 WEDGE, DEUTSCH 2P RECEPT
- 19916 CONNECTOR, DTCH 1P PLUG
- 21197 DECAL KIT 4064

| | | | |
|--|---|--|--|
| <p>Houston TX (713)-688-5533 www.liftmoore.com</p> | <p>DRWN BY: JE</p> <p>DATE: 11/2/12</p> | <p>CRANE ASSY 4064XP-22 HALL EFFECT</p> <p>BAIL LEFT SIDE ATB, RZ TH1,E-STOP, HYDRAQUIP MANIFOLD</p> | <p>DRAWING NO.</p> <p>25318-A</p> |
|--|---|--|--|



- COLOR CODE B IS USED FOR REPAIR
 NOTE: TIE OFF BLK/RED & ORG/RED
 PLUG ORG/RED WIRE WITH BLUE MALE PIN 32118

WIRE COLORS ARE FOR ORIGINAL PENDANT
 MADE WITH 16 CONDUCTOR CABLE.
 REPLACEMENT CABLES MAY HAVE
 DIFFERENT NUMBER OF CONDUCTORS
 AND DIFFERENT COLORS.
 CONTACT LIFTMOORE, INC IF COLOR CODE
 DOES NOT MATCH CURRENT CONDITION OF PENDANT.

Houston TX
 (713)-688-5533
 www.liftmoore.com



CONTROL, PENDANT XP HALL TRIG
 HALL EFF. TRIGGER W/E-STOP, HORN

DRAWING NO.

24694-0

P/N 15566
 TERMINAL P.O FEMALE 14-16 GA

P/N 32118
 TERMINAL P.O MALE 14-16 GA

SOLDER WIRES
 TO E-STOP SWITCH
 3" WHT

P/N 23121
 PUSHTH BUTTON ASSEMBLY

P/N 23117
 SWITCH, E-STOP TWIST RELEASE

P/N 22558
 CONNECTOR, CGB 3/4 NPT FLEX

P/N 15838
 YELLOW TERMINAL, P.O. MALE
 10-12 GA.

P/N 32118
 TERMINAL P.O MALE 14-16 GA

P/N 15566
 TERMINAL P.O FEMALE 14-16 GA

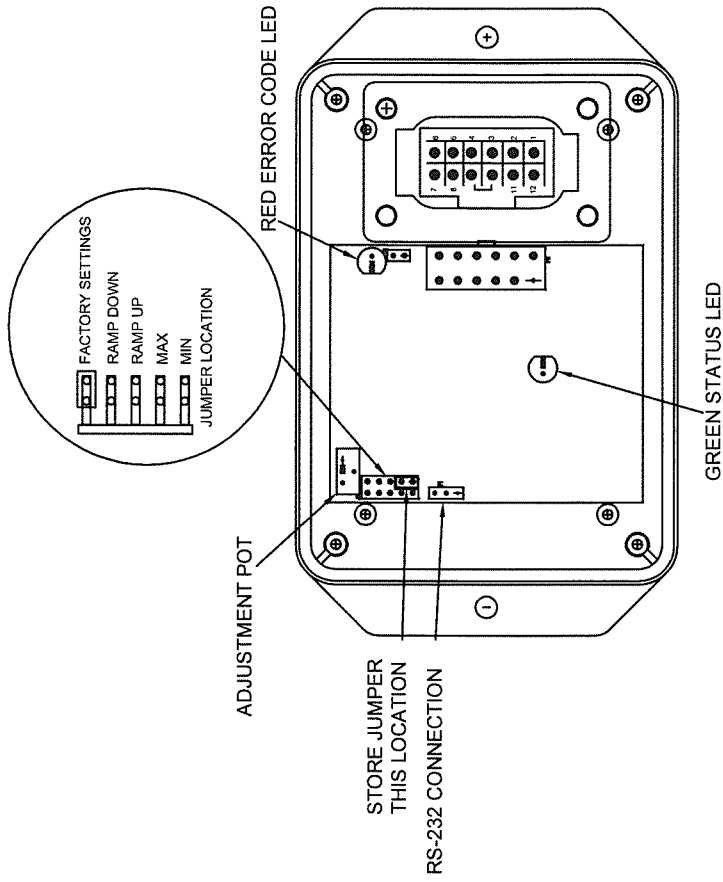
P/N 19976 - PLUG, CONTROL 14-PIN DEUTSCH KIT

3RD GENERATION RELAY BOARD


| Pin No. | Description |
|---------|-----------------------------|
| 1 | Ground |
| 2 | Trigger Signal Input |
| 3 | Proportional Valve Output |
| 4 | Pressure Switch Input |
| 5 | ATB Switch Input |
| 6 | Winch Up Switch Input |
| 7 | Elevation Down Switch Input |
| 8 | Extension Out Switch Input |
| 9 | Extension Out Output |
| 10 | Elevation Down Output |
| 11 | Winch Up Output |
| 12 | Supply (9 To 30 VDC) |

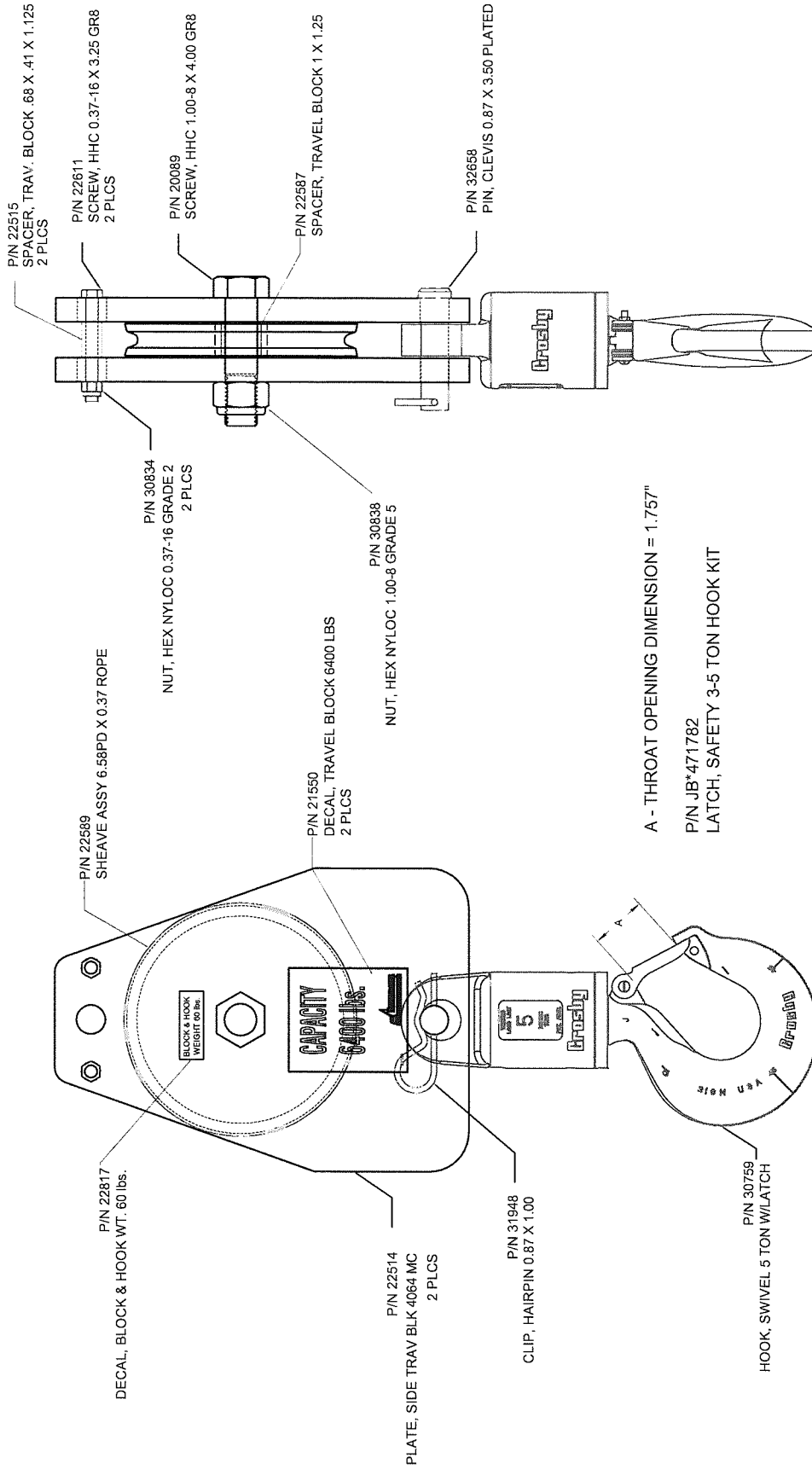
ERROR CODE CHART

| ERROR CODE COUNT | PROBABLE CAUSE |
|------------------|---|
| 1 | No Input To ATB Switch Input |
| 2 | No Input To Pressure Switch Input Or Overload Condition |
| 3 | Short Or Overload To Winch Up Output |
| 4 | Short Or Overload To Elevation Down Output |
| 5 | Short Or Overload To Extension Out Output |
| 6 | Trigger Input Out Of Range |



To Display an error code, the controller turns on and off the error code LED a certain number of times with a pause at the end. It repeats the code until the problem is resolved. The **Error Code Chart** is provided to assist the service personnel in troubleshooting the system.

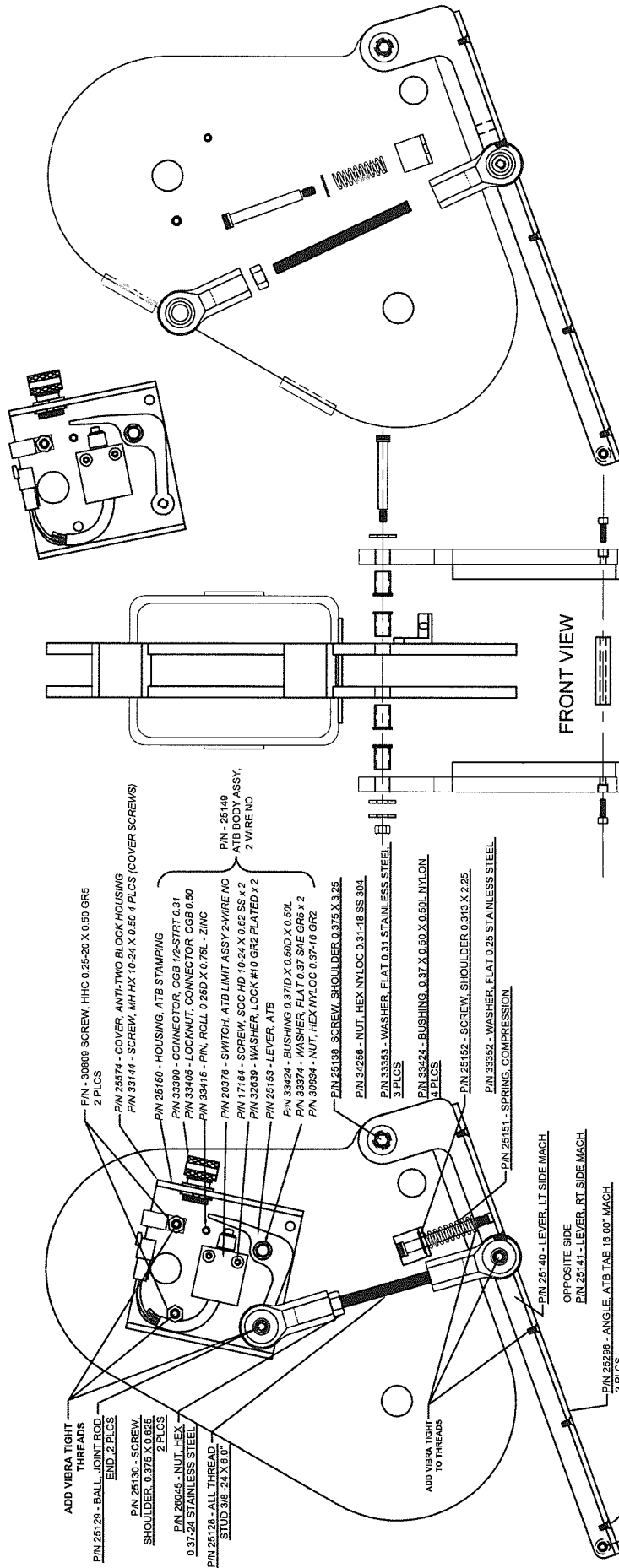
| | | | | |
|---|---|-------------------------------|---|-------------------------------|
|  | Houston TX (713)-688-5533 www.liftmoore.com | DRWN BY: JC DATE: 06/11/07 | BOARD, RELAY 3RD G XP ATB-BD ATB DOES NOT STOP BOOM DOWN | DRAWING NO. 22569-A |
| | BOARD, RELAY 3RD G XP ATB-BD ATB DOES NOT STOP BOOM DOWN | | | |



CAUTION:

NEVER USE A HOOK WHOSE THROAT OPENING HAS BEEN INCREASED, OR WHOSE TIP HAS BEEN BENT MORE THAN 10 DEGREES OUT OF PLANE FROM THE HOOK BODY, OR IS IN ANY WAY DISTORTED OR BENT.

| | | | |
|---|---|------------------------------|--------------------------------|
|  | Houston TX (713)-688-5533 www.liftmoore.com | DRWN BY: JE DATE: 8/16/12 | DRAWING NO. 250668-0 |
| | BLOCK, TRAV ASSY 6.4K lbs/6.5D 6.58PD X 0.37 ROPE; 6400LBS W/30759 HOOK | | |



NOTE

PIN 25536 - KIT, BAIL ATB REPLACEMENT 4064
 INCLUDED ALL UNDERLINED ITEMS FOR BAIL ATB

DRAWING NO.
58403-D

ATB BAIL ASSY, DEUTSCH CONN
 TWO-WIRE NORMAL OPEN; LEFT SIDE 4064/3660/5080/6036

DRWN BY: JE
 DATE: 9/12/12

Houston TX
 (713)-688-5533
 www.liftmoore.com



ADD VIBRA TIGHT
 THREADS
 BALL JOINT ROD
 END 2 PLCS

PIN 25130 - SCREW,
 SHOULDER 0.375 X 0.825
 2 PLCS

PIN 20045 - NUT, HEX
 0.37-24 STAINLESS STEEL

PIN 25128 - ALL THREAD
 STUD 3/8-24 X 6.0'

PIN 25142 - SPACER LEVER

PIN 25295
 SCREW PHILLIPS FH 6-32 X 3/8
 add vibra tight 10 PLCS

PIN 25289 - ANGLE, ATB TAB 16.00" MACH.
 2 PLCS

PIN 25140 - LEVER, LT SIDE MACH
 OPPOSITE SIDE
 PIN 25141 - LEVER, RT SIDE MACH.

PIN 25142 - SCREW, SHOULDER 0.313 X 2.25

PIN 33562 - WASHER, FLAT 0.25 STAINLESS STEEL

PIN 25151 - SPRING, COMPRESSION

PIN 34258 - NUT, HEX NYLOC 0.31-18 SS 304

PIN 33553 - WASHER, FLAT 0.31 STAINLESS STEEL
 3 PLCS

PIN 33424 - BUSHING, 0.37 X 0.50 X 0.50L NYLON
 4 PLCS

PIN 25162 - SCREW, SHOULDER 0.313 X 2.25

PIN 33562 - WASHER, FLAT 0.25 STAINLESS STEEL

PIN 25140 - LEVER, LT SIDE MACH
 OPPOSITE SIDE
 PIN 25141 - LEVER, RT SIDE MACH.

PIN 25289 - ANGLE, ATB TAB 16.00" MACH.
 2 PLCS

PIN 25295
 SCREW PHILLIPS FH 6-32 X 3/8
 add vibra tight 10 PLCS

PIN 25142 - SPACER LEVER

PIN 17164 - SCREW, SOC HD 10-24 X 0.62 SS
 2 PLCS

PIN 30834 - NUT, HEX NYLOC 0.37-16 GR2

PIN 33374 - WASHER, FLAT 0.37 SAE GR5 X 2

PIN 33424 - BUSHING 0.37ID X 0.50OD X 0.50L

PIN 25153 - LEVER, ATB

PIN 32639 - WASHER, LOCK #10 GR2 PLATED X 2

PIN 17164 - SCREW, SOC HD 10-24 X 0.62 SS X 2

PIN 20276 - SWITCH, ATB LIMIT ASSY 2-WIRE NO

PIN 33405 - LOCKNUT, CONNECTOR, CGB 0.50

PIN 33415 - PIN, ROLL 0.25D X 0.75L - ZINC

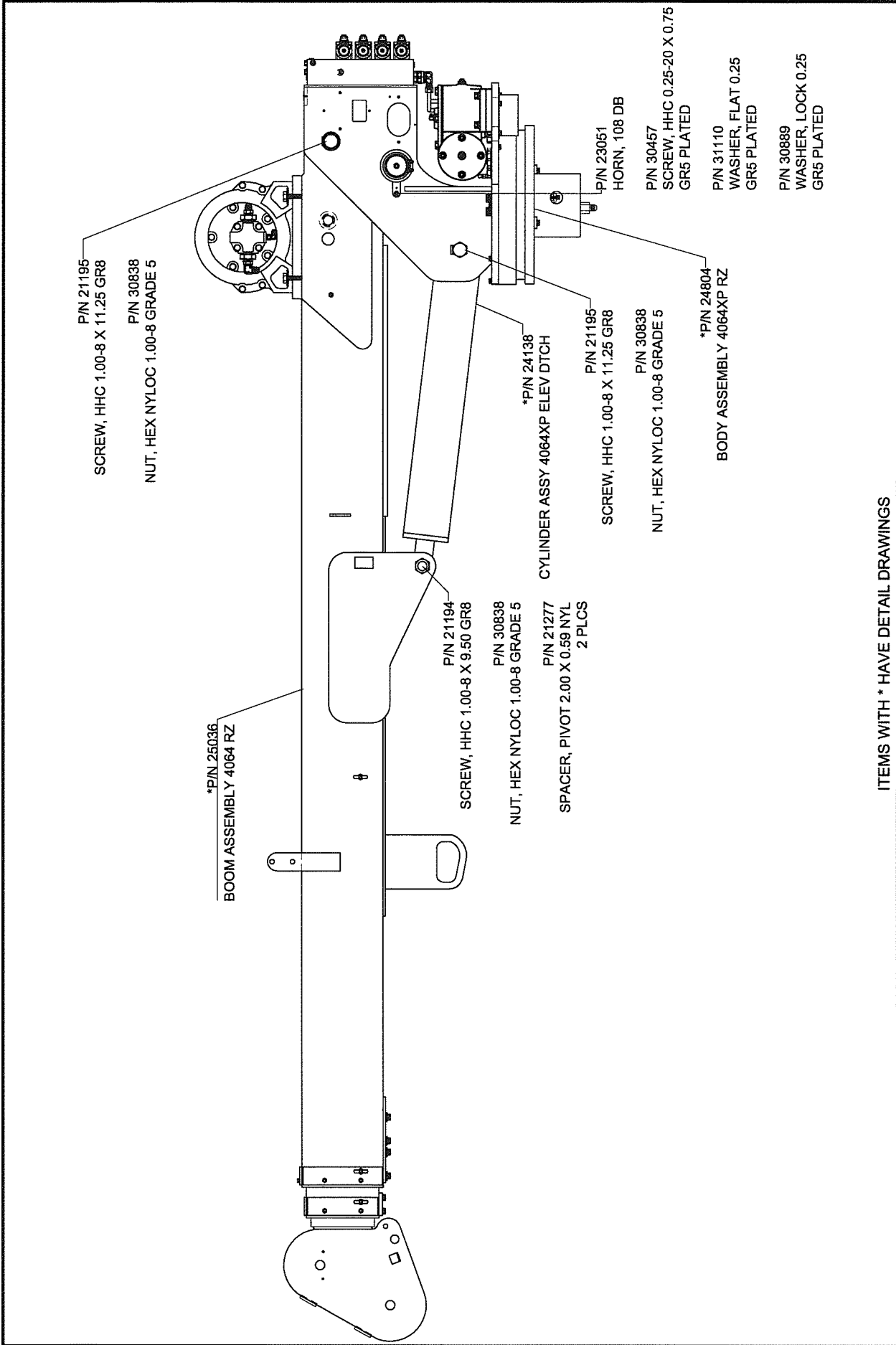
PIN 33560 - CONNECTOR, CGB 1/2-STRT 0.31

PIN 25160 - HOUSING, ATB STAMPING

PIN 33144 - SCREW, MH HX 10-24 X 0.50 4 PLCS (COVER SCREWS)

PIN 30809 SCREW, HHC 0.25-20 X 0.50 GR5
 2 PLCS

PIN 25149
 ATB BODY ASSY,
 2 WIRE NO



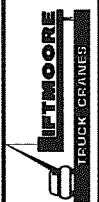
ITEMS WITH * HAVE DETAIL DRAWINGS

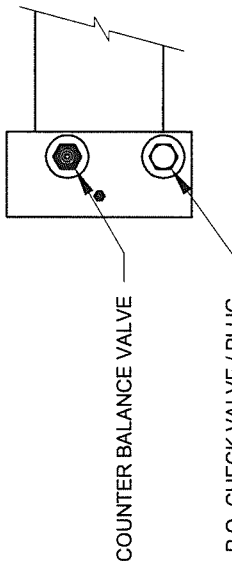
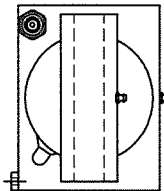
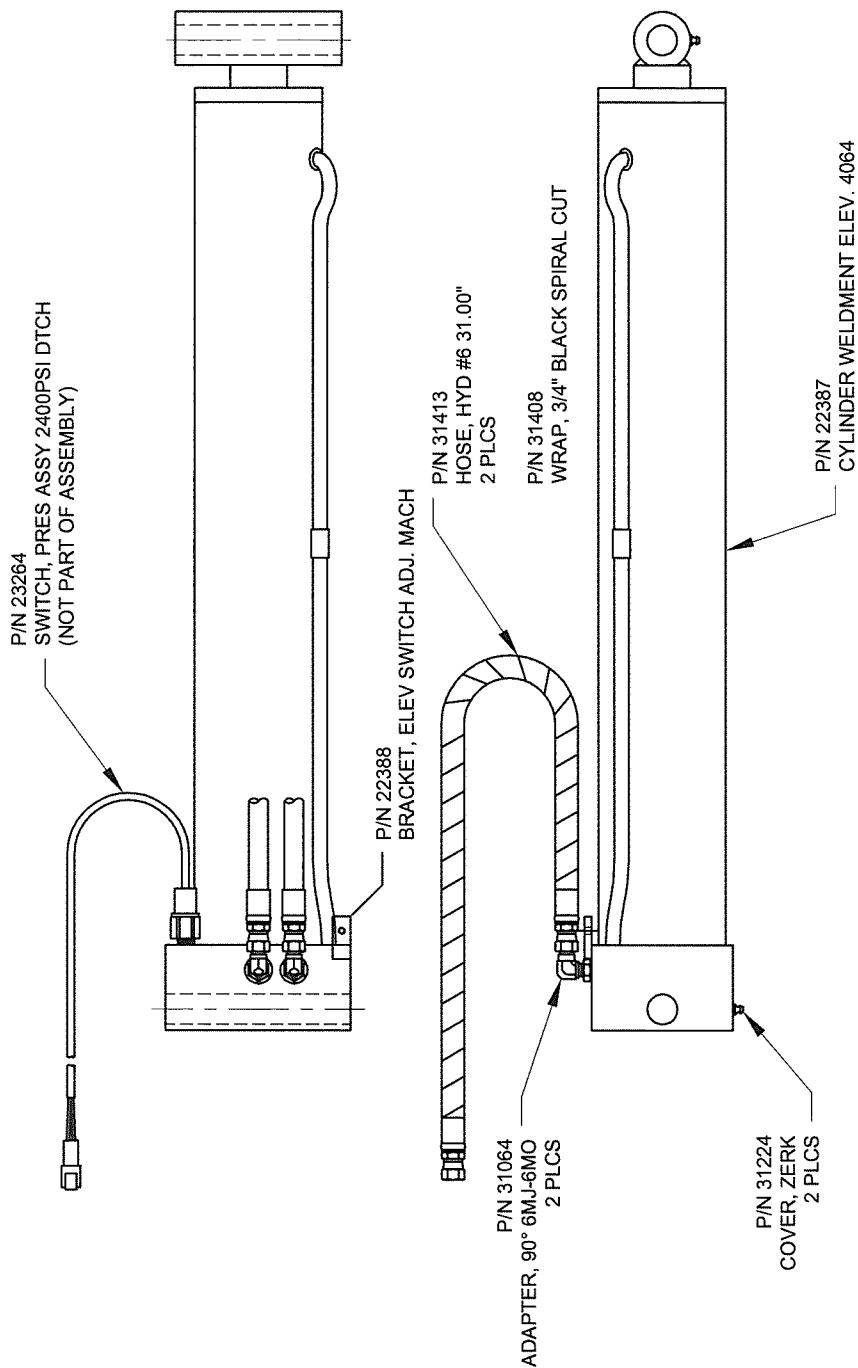
DRAWING NO.
25137-B

BOOM-BODY ASSY 4064RZ W/BAIL ATB
 ATB LEFT SIDE; RZ WINCH TH1; HYDRAQUIP MANIFOLD

DRWN BY: AA
 DATE: 9/10/12

Houston TX
 (713)-688-5533
 www.liftmoore.com





| REPLACEMENT PARTS FOR CYLINDER | |
|--------------------------------|-------------|
| DESCRIPTION | PART NUMBER |
| SEAL KIT | TM*SK-00271 |
| COUNTER BALANCE VALVE | 18577 |
| P.O. CHECK VALVE PLUG | TM*PP00482 |
| CYLINDER, 4.5 X 24.0 X 2.0 POC | 18301 |

Houston TX
(713)-688-5533
www.lifmoore.com



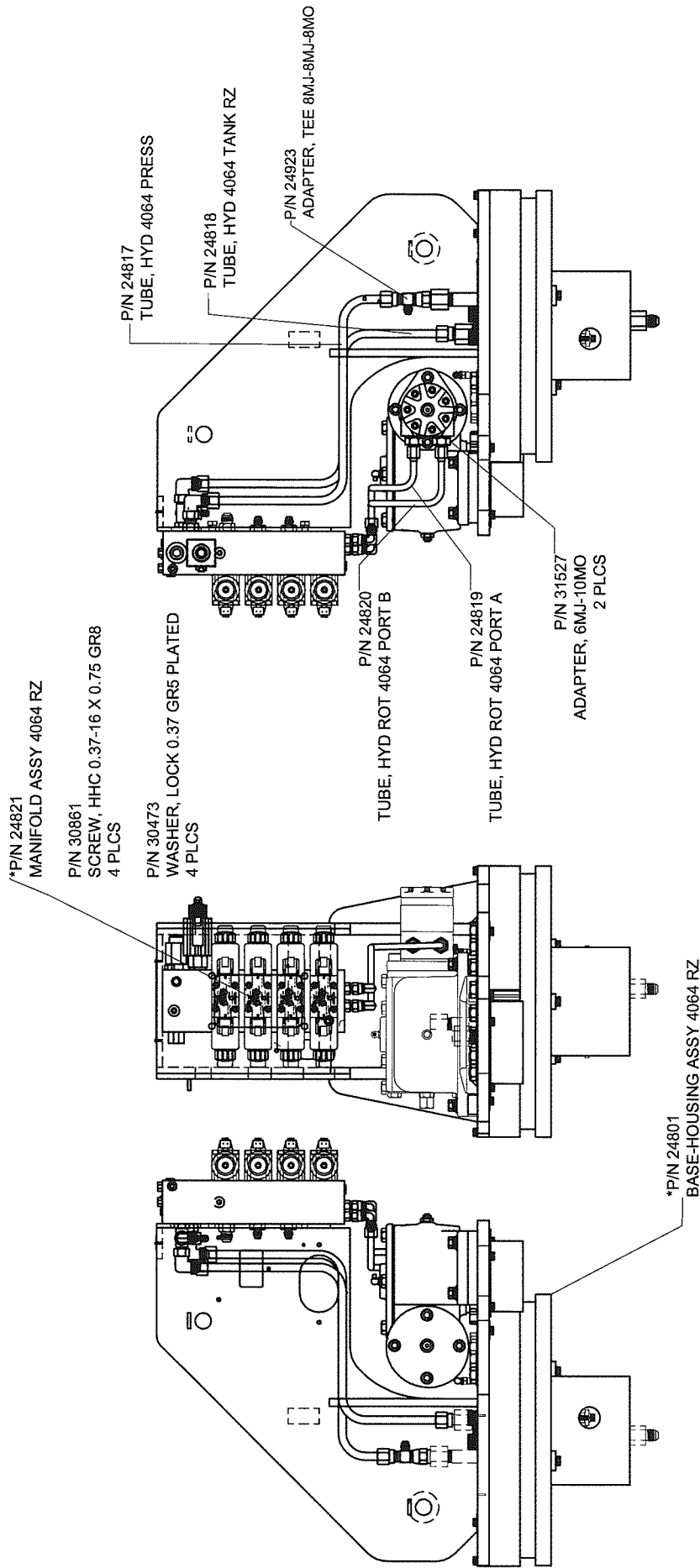
CYLINDER ASSY 4064XP ELEV DTCH
CYL 18301, 35.50" HOSE, DTCH LS

DRAWING NO.

21521-C

DRWN BY: JC

DATE: 09/30/09



ITEMS WITH * HAVE DETAIL DRAWINGS

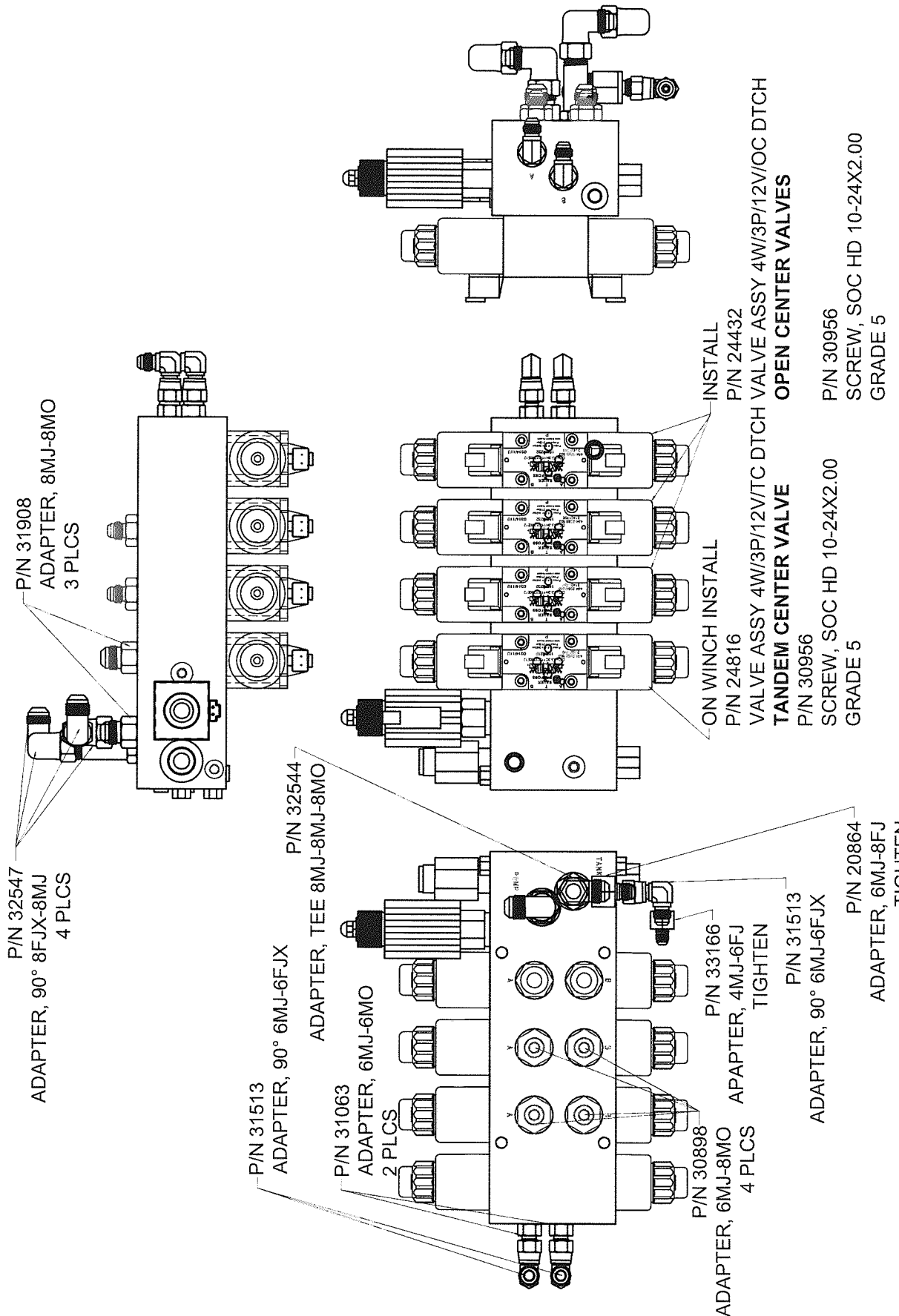
DRWN BY: JE
 DATE: 12/22/11

Houston TX
 (713)-688-5533
 www.liftmoore.com



BODY ASSEMBLY 4064XP RZ
 3RD GENERATION RELAY BOX, HYDRAQUIP MANIFOLD

DRAWING NO.
24804-A



P/N 32547
ADAPTER, 90° 8FJX-8MJ
4 PLCS

P/N 31908
ADAPTER, 8MJ-8MO
3 PLCS

P/N 31513
ADAPTER, 90° 6MJ-6FJX

P/N 31063
ADAPTER, 6MJ-6MO
2 PLCS

P/N 32544
ADAPTER, TEE 8MJ-8MJ-8MO

P/N 30898
ADAPTER, 6MJ-8MO
4 PLCS

P/N 33166
APAPTER, 4MJ-6FJ
TIGHTEN

P/N 31513
ADAPTER, 90° 6MJ-6FJX

P/N 20864
ADAPTER, 6MJ-8FJ
TIGHTEN

ON WINCH INSTALL

INSTALL

P/N 24816
VALVE ASSY 4W/3P/12V/TC DTCH
TANDEM CENTER VALVE

P/N 24432
VALVE ASSY 4W/3P/12V/IOC DTCH
OPEN CENTER VALVES

P/N 30956
SCREW, SOC HD 10-24X2.00
GRADE 5

P/N 30956
SCREW, SOC HD 10-24X2.00
GRADE 5

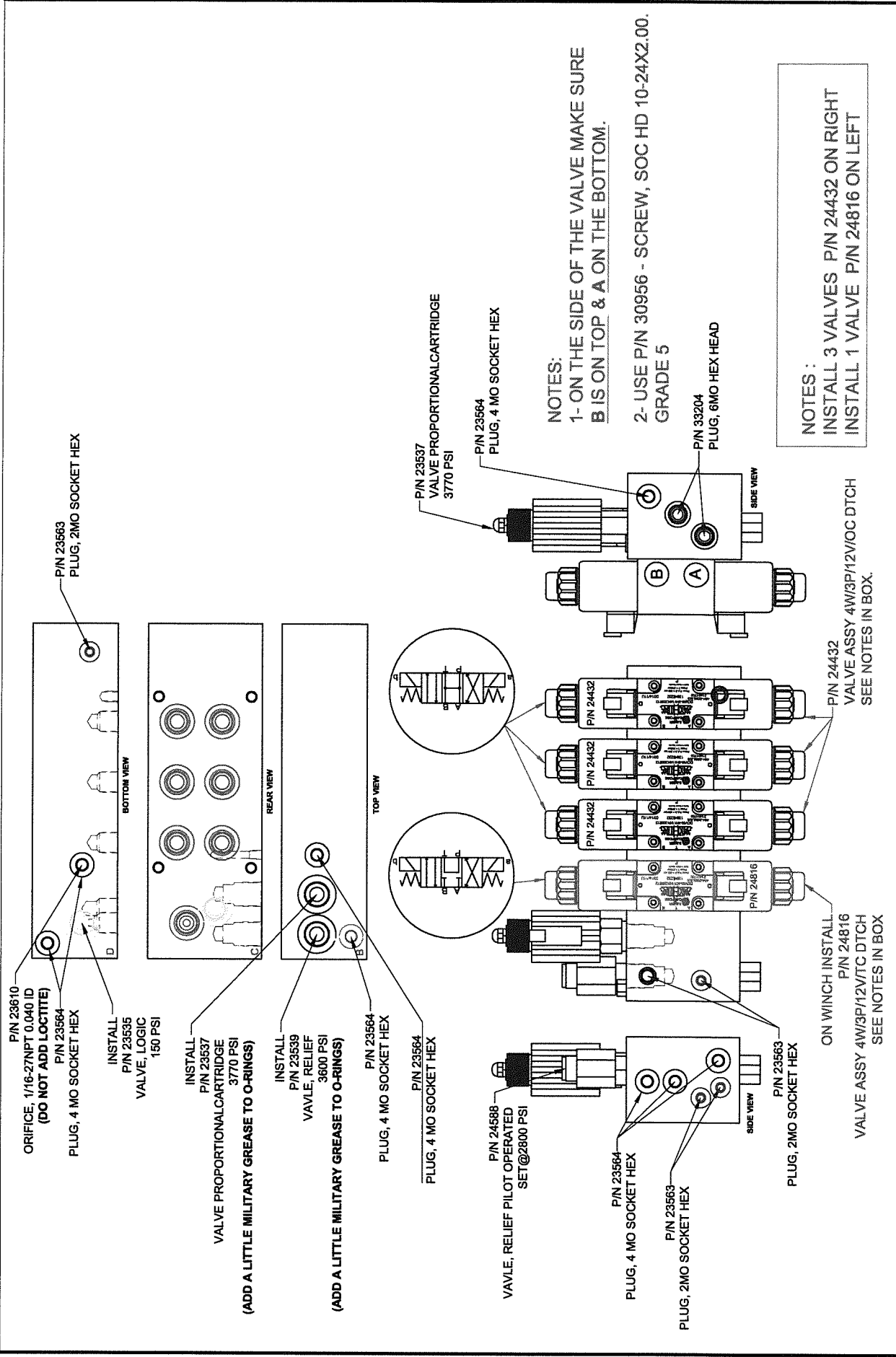
Houston TX
(713)-688-5533
www.liftmoore.com



DRWN BY: JE
DATE: 12/22/11

MANIFOLD ASSY 4064XP DTCH
SAUER DANFOSS VALVES

DRAWING NO.
24821-A



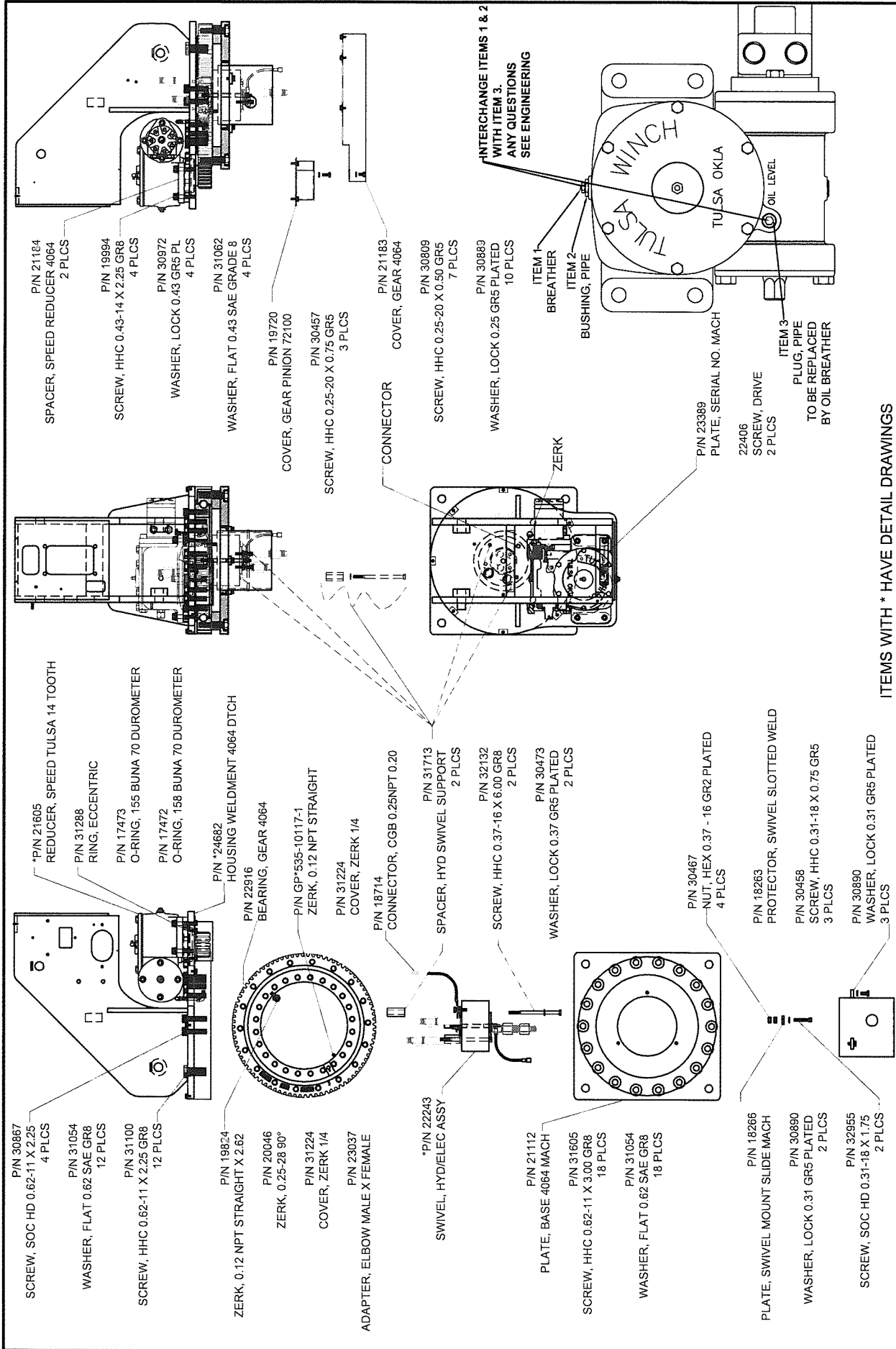
liftmoore
TRUCK CRANES

Houston TX
(713)-688-5533
www.liftmoore.com

MANIFOLD PRE ASSY XP DTCH
TANDEM CENTER VALVE

DRAWN BY: JE
DATE: 12/21/11

DRAWING NO. 24822-A



ITEMS WITH * HAVE DETAIL DRAWINGS

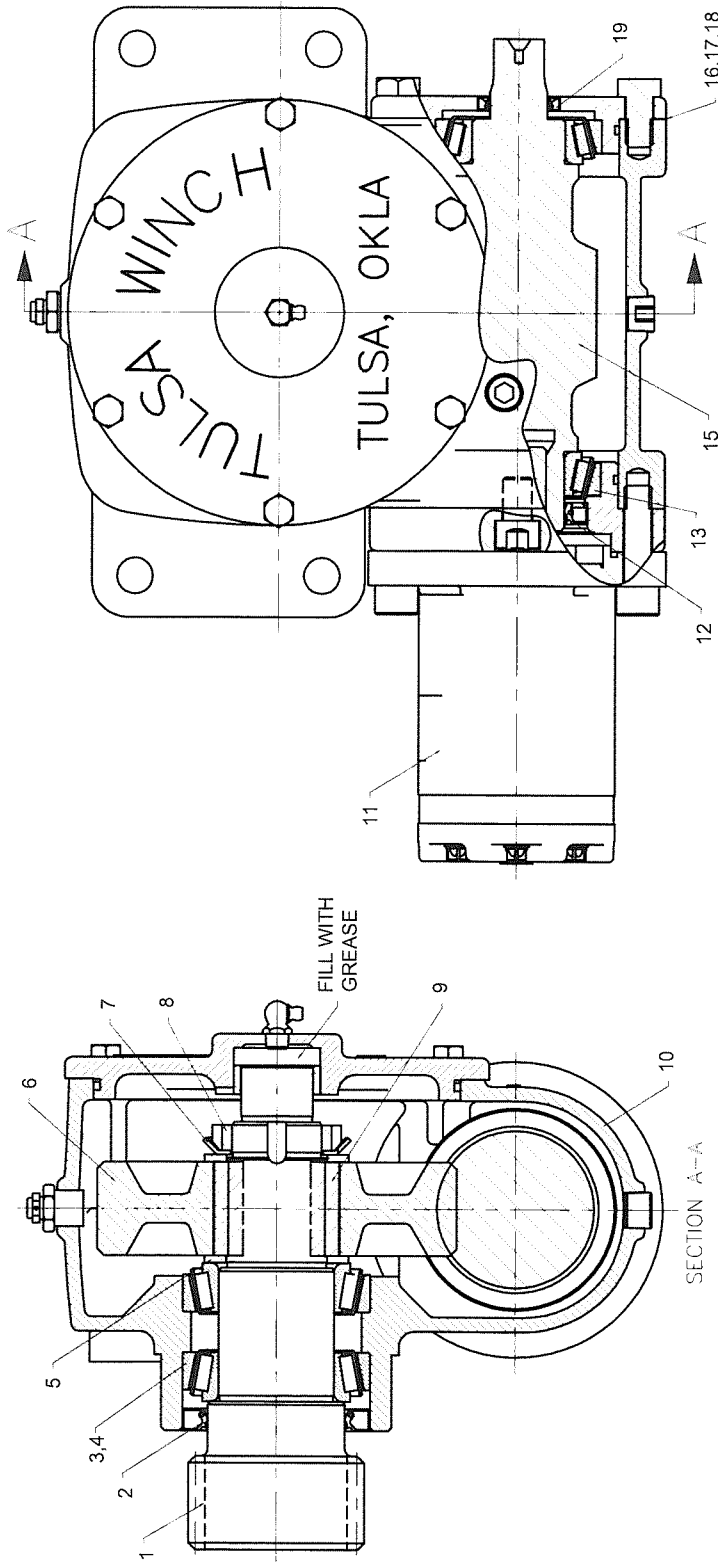
DRAWING NO.
24801-B

BASE-HOUSING ASSY 4064 RZ
WITH HYDRAQUIP MANIFOLD

DRWNBY: JE
DATE: 3/27/12

Houston TX
(713)-688-5533
www.lifftmoore.com



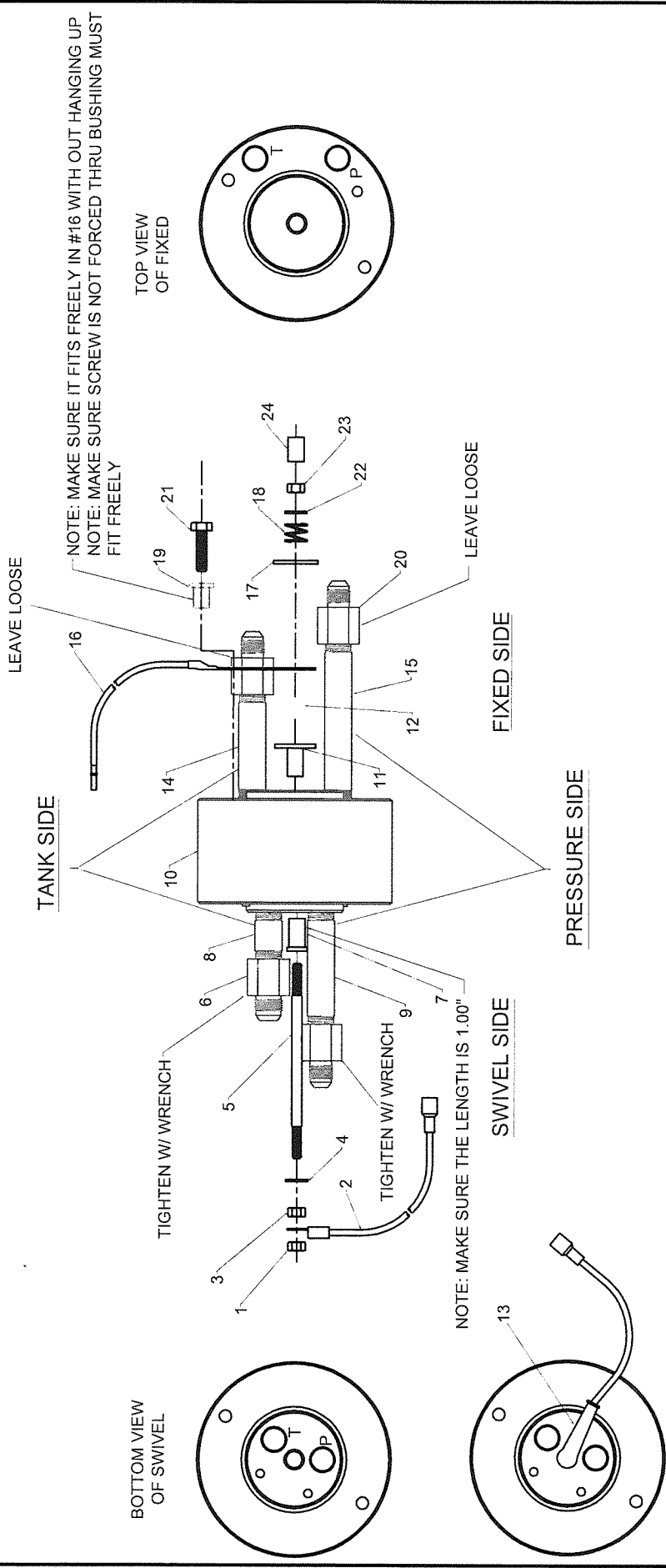


1. APPLY LOC-TITE TO THREADS OF SHAFT (ITEM 1) THEN TORQUE BEARING LOCKNUT (ITEM 8) TO 50 FT-LBS. LOOSEN AND RETORQUE TO 20-30 FT-LBS.
2. PAINT ALL EXTERIOR SURFACES EXCEPT GEAR, GEAR SHAFT, ECCENTRIC RING, AND HOUSING PILOT WITH TWP PRIME SPEC 709169 (WHITE PAINT).
3. SHIM AS NECESSARY TO ACHIEVE -.002 TO .000 WORM MOVEMENT AXIALLY. (USE SHIMS 42366, 42367, & 42368 TO ACHIEVE PROPER MOVEMENT).
4. FILL WITH E.P. 0 GREASE.

ITEMS WITH * HAVE DETAIL DRAWINGS

| # | PN | DESCRIPTION | QTY | # | PN | DESCRIPTION | QTY | # | PN | DESCRIPTION | QTY |
|---|----------|------------------------|-----|----|-----------|-------------------------------|-----|----|----------|-------------------|-----|
| 1 | TW*43469 | SHAFT, OUTPUT, HFG938D | 1 | 8 | TW*26528 | LOCKNUT | 1 | 15 | TW*43745 | WORM, SR, HFG945D | 1 |
| 2 | TW*41979 | SEAL, OIL, HFG938D | 1 | 9 | TW*40518 | KEY | 2 | 16 | TW*42366 | SHIM, G1600D | 2 |
| 3 | TW*41983 | CUP, BEARING, HFG93 | 2 | 10 | TW*43492 | HOUSING, HFG938D | 1 | 17 | TW*42367 | SHIM, G1600D | 2 |
| 4 | TW*41982 | CONE, BEARING, HFG9 | 2 | 11 | 19978 | MOTOR, HYD 4.50 CID CHAR-LYNN | 1 | 18 | TW*42368 | SHIM, G1600D | 2 |
| 5 | TW*40510 | WASHER, THRUST | 2 | 12 | TW*33155 | SEAL, OIL | 1 | 19 | TW*24180 | SEAL, OIL | 1 |
| 6 | TW*42578 | GEAR, SR, HFG945D | 1 | 13 | TW*996515 | CONE, BEARING | 2 | | | | |
| 7 | TW*41299 | WASHER, LOCK | 1 | 14 | TW*996516 | CUP, BEARING | 2 | | | | |

| | | |
|--|---|-------------------------------|
| | Houston TX (713)-688-5533 www.liftmoore.com | DRWN BY: TV DATE: 04/22/05 |
| REDUCER, SPEED TULSA 14 TOOTH 15K IN-LBS, 14T PINON, BEARING | | DRAWING NO. 21605-0 |



| # | PN | DESCRIPTION | QTY | # | PN | DESCRIPTION | QTY | # | PN | DESCRIPTION | QTY |
|---|-------|--------------------------------|-----|----|-------|--------------------------------|-----|----|-------|--------------------------------|-----|
| 1 | 34256 | NUT, HEX NYLOC 0.31-18 SS 304 | 1 | 10 | 32098 | SWIVEL, HYDRAULIC 1/2" PORTS | 1 | 19 | 31451 | INSULATOR, BOLT ELECTRIC | 1 |
| 2 | 32278 | WIRE, SWIVEL SUPPLY W/TERMINAL | 1 | 11 | 31382 | SPACER, SWIVEL STUD INSULATOR | 1 | 20 | 31995 | ADAPTER, 8FP-8MJ | 3 |
| 3 | 34255 | NUT, HEX 0.31-18 SS 304 | 1 | 12 | 31381 | SPACER, SWIVEL UPPER - BRONZE | 1 | 21 | 23063 | SCREW, HHC 0.37-16 X 1.25 GR8 | 1 |
| 4 | 33353 | WASHER, FLAT 0.31 SAE SS304 | 1 | 13 | 30674 | BOOT, RUBBER 1 & 1/0 | 1 | 22 | 32368 | WASHER, FLAT 0.37 SAE SS GR304 | 1 |
| 5 | 32277 | STUD, 5/16-18 X 6 DOUBLE END | 1 | 14 | 22238 | ADAPTER, NIPPLE 4.50" LG #8 | 1 | 23 | 34256 | NUT, HEX NYLOC 0.31-18 SS 304 | 1 |
| 6 | 32468 | ADAPTER, 8FP-10MJ | 1 | 15 | 32112 | ADAPTER, NIPPLE 6.00" LG #8 | 1 | 24 | 32279 | SLEEVE, SWIVEL SCREW INSULATOR | 1 |
| 7 | 31383 | SPACER, SWIVEL STUD INSULATOR | 1 | 16 | 20500 | WIRE, SWIVEL HOT PLATE ASSY D | 1 | | | | |
| 8 | 31996 | ADAPTER, NIPPLE 2.50" LG #8 | 1 | 17 | 32562 | WASHER, FLAT 0.50 SS GRADE 304 | 1 | | | | |
| 9 | 32321 | ADAPTER, NIPPLE 4.00" LG #8 | 1 | 18 | 31452 | SPRING, SWIVEL | 1 | | | | |

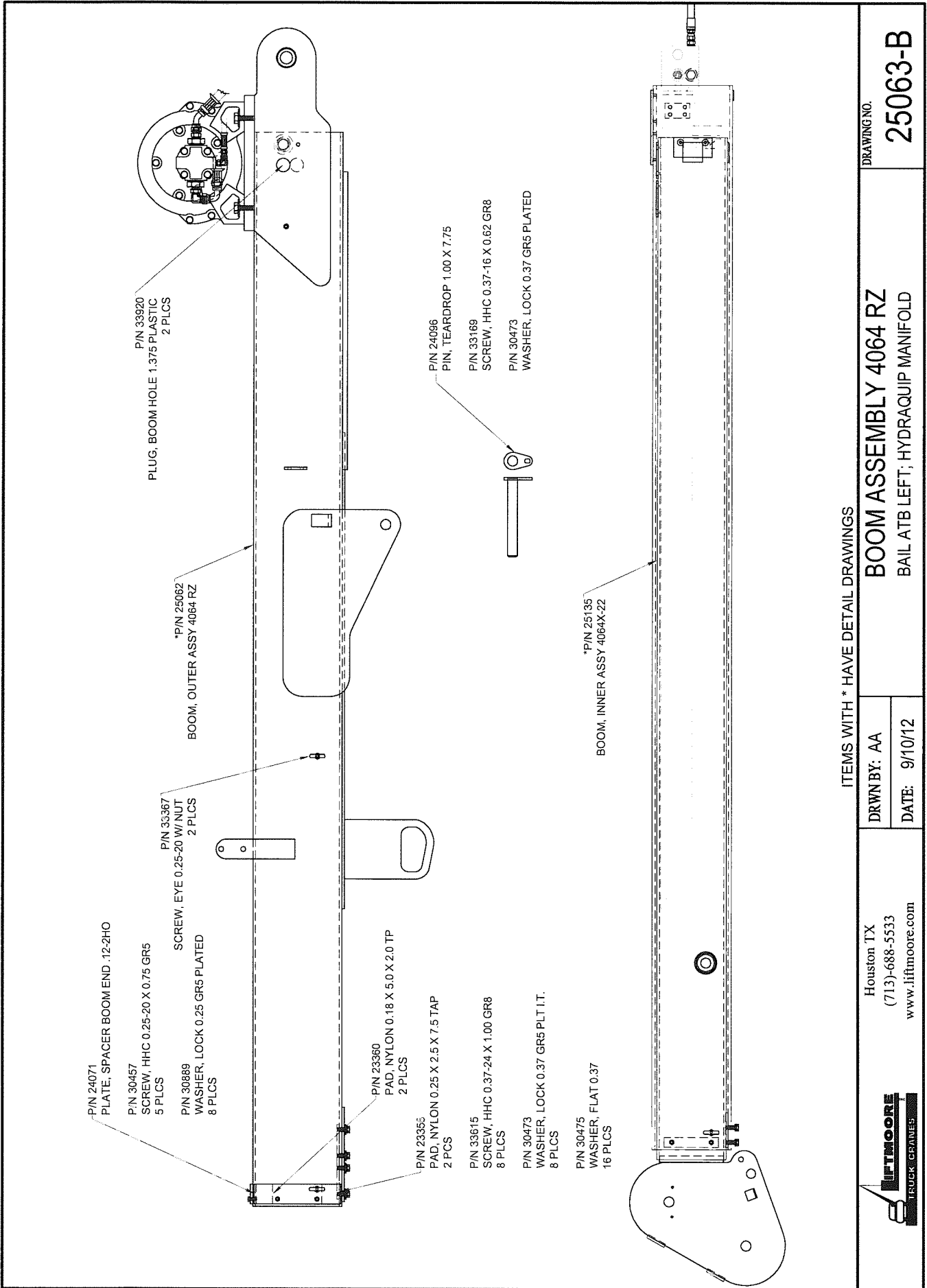
IFTMOORE TRUCK CRANES

Houston TX
 (713)-688-5533
 www.iftmoore.com

DRWN BY: KSP
DATE: 3/24/09

SWIVEL, HYD/ELEC ASSY SHORT RZ
 FOR 4064 - ROTZLER WINCH TH2

DRAWING NO. 22243-C



ITEMS WITH * HAVE DETAIL DRAWINGS

DRWN BY: AA

DATE: 9/10/12

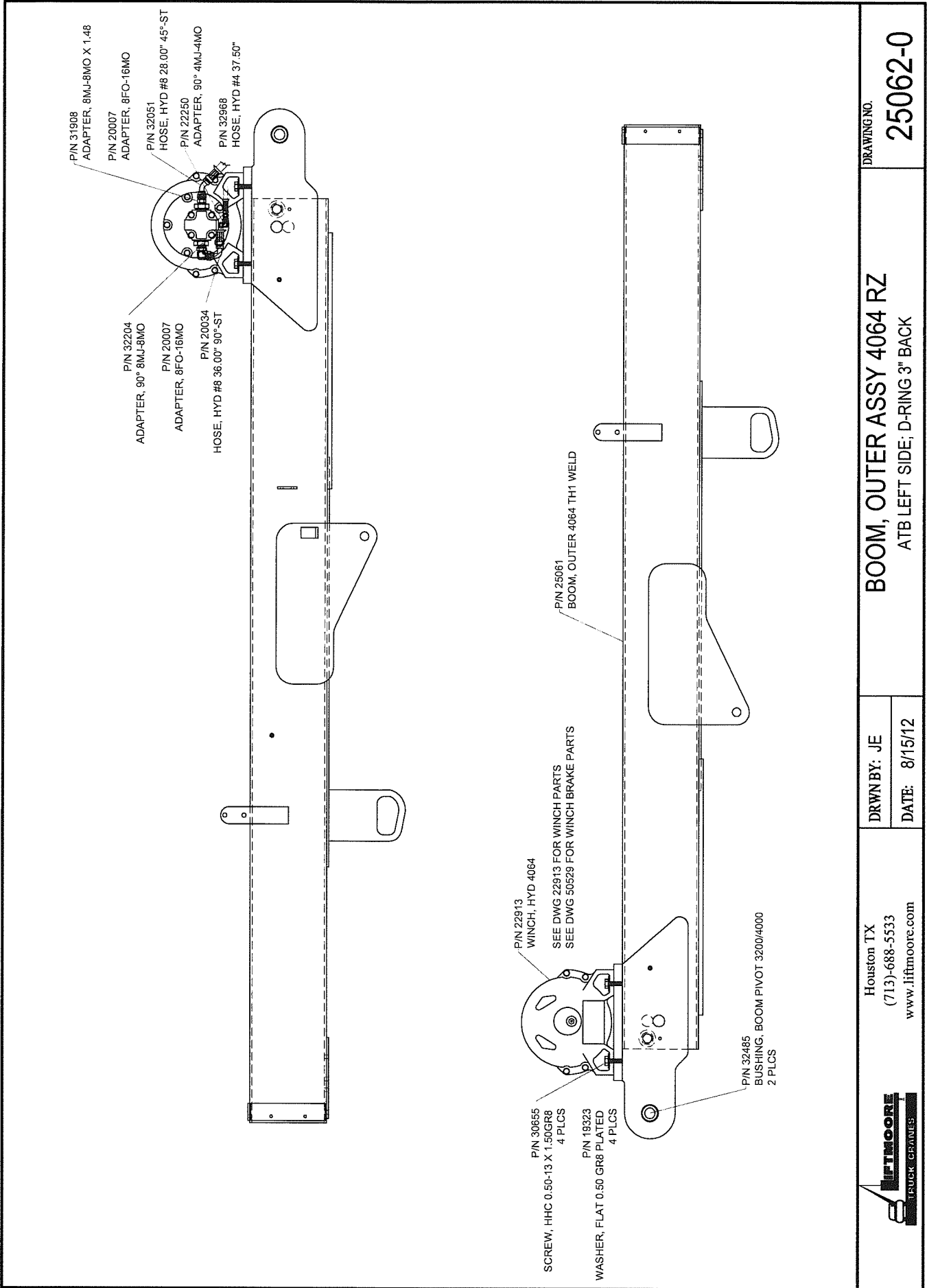
Houston TX
(713)-688-5533
www.liftmoore.com



DRAWING NO.

25063-B

BOOM ASSEMBLY 4064 RZ
BAIL ATB LEFT; HYDRAQUIP MANIFOLD



DRAWING NO.

25062-0

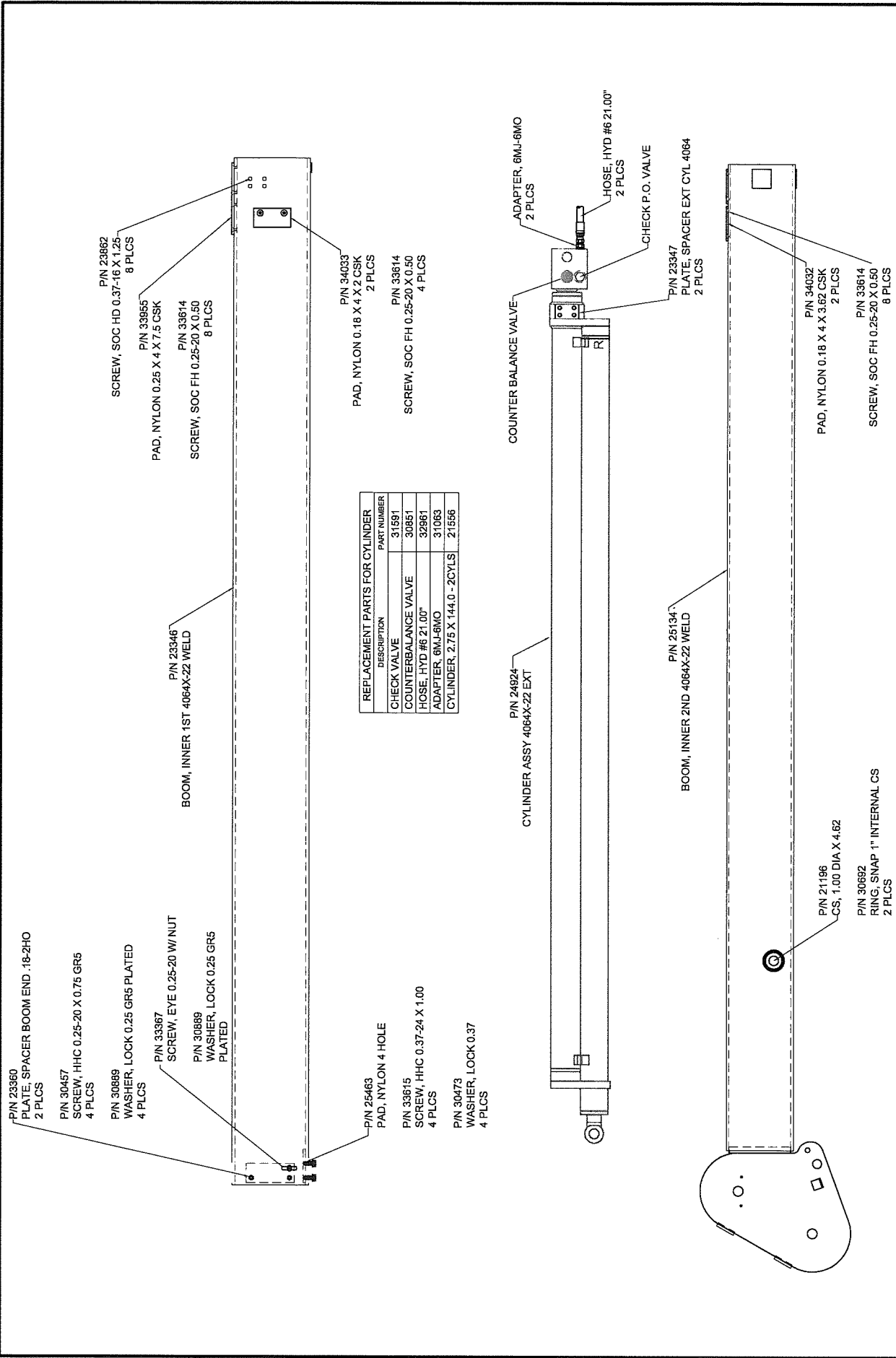
BOOM, OUTER ASSY 4064 RZ
 ATB LEFT SIDE; D-RING 3" BACK

DRWN BY: JE

DATE: 8/15/12

Houston TX
 (713)-688-5533
 www.liftmoore.com



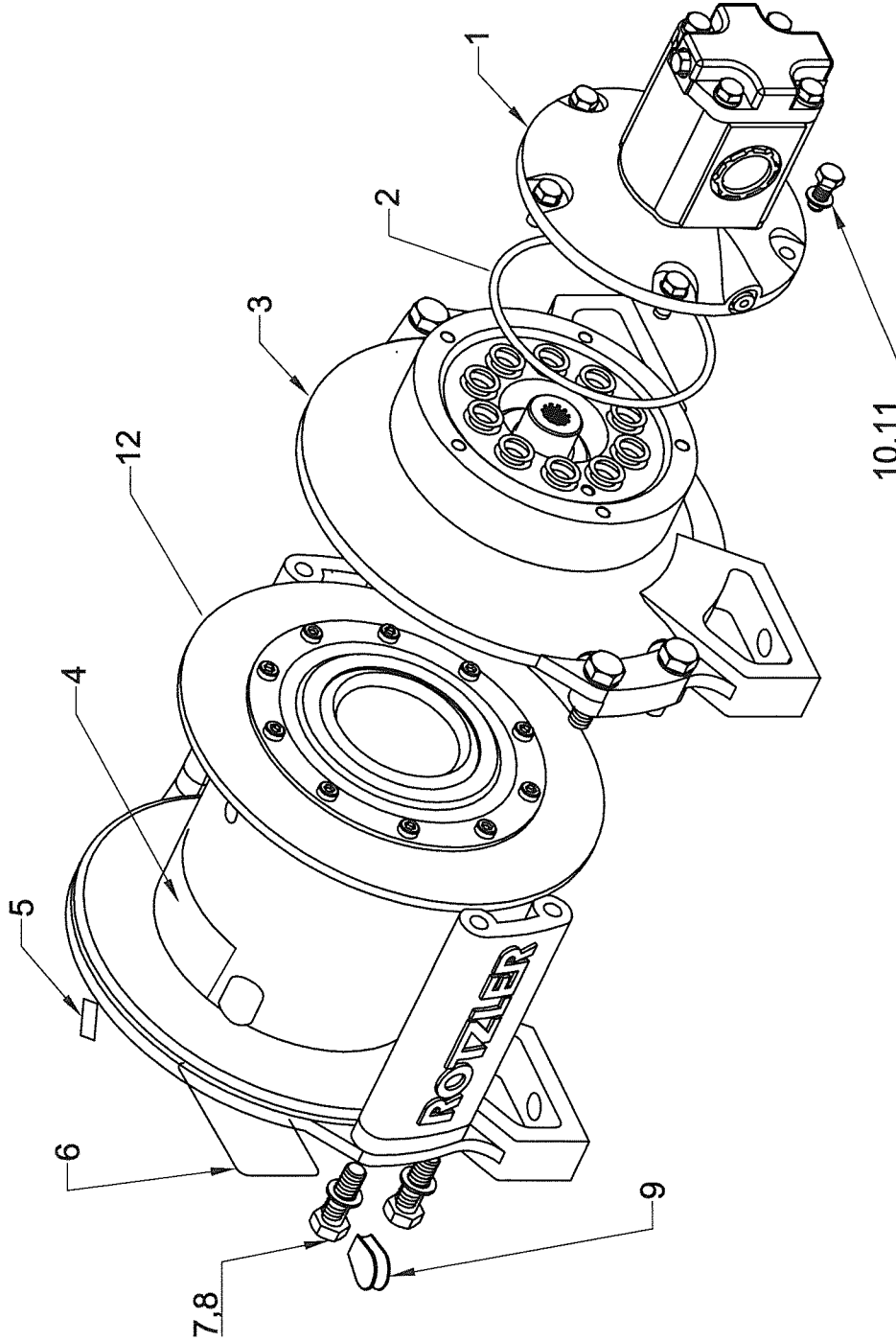


HOUSTON TX
 (713)-688-5533
 www.liftmoore.com

DRWN BY: JE
DATE: 9/10/12

BOOM, INNER ASSY 4064XP-22
 BAIL ATB LEFT SIDE

DRAWING NO. **25135-B**



ITEMS WITH * HAVE DETAIL DRAWINGS

| # | PN | DESCRIPTION | QTY | # | PN | DESCRIPTION | QTY | # | PN | DESCRIPTION | QTY |
|---|----------------|--------------------------|-----|---|------------|----------------------------------|-----|----|-------------|---------------------------------|-----|
| 1 | RZ*M.TH2.CW.31 | ASSEMBLY, MOTOR TH1 CW | 1 | 5 | RZ*220-077 | LABEL, NUMBER | 1 | 9 | RZ*220-067C | CABLE WEDGE, .44" | 1 |
| 2 | RZ*220-044 | SEAL, O-RING, #2-163 | 1 | 6 | RZ*220-065 | LABEL, IDENTIFICATION | 1 | 10 | RZ*220-032 | SCREW HEX HEAD CAP, M10-1.50x25 | 1 |
| 3 | RZ*P.TH1.CW | ASSEMBLY, PRIMARY TH1.CW | 1 | 7 | RZ*210-062 | SCREW, HEX HEAD CAP, M10-1.50x30 | 1 | 11 | RZ*220-068 | WASHER, M10, DIN 433, PLATED | 1 |
| 4 | RZ*220-079 | LABEL, ROTATION, CW | 1 | 8 | RZ*220-068 | WASHER, M10, DIN 433, PLATED | 1 | 12 | RZ*F.TH1 | ASSEMBLY, FINAL, TH1 | 1 |

DRWN BY: PDS

DATE: 12/19/08

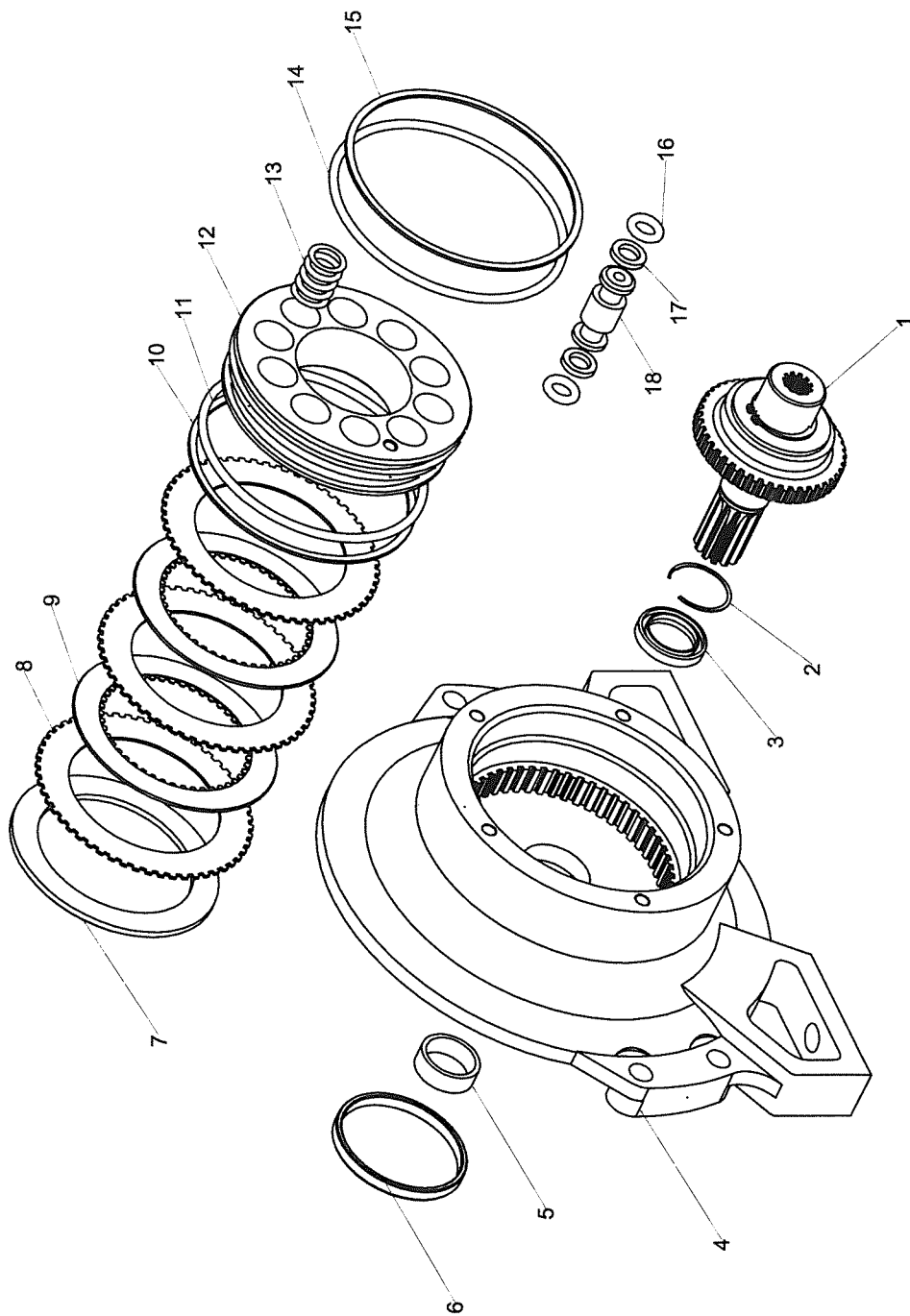
WINCH, HYD. RZ TH1 .310.116
CCW DRUM ROTATION

DRAWING NO.

22913-A

Houston TX
(713)-688-5533
www.liftmoore.com





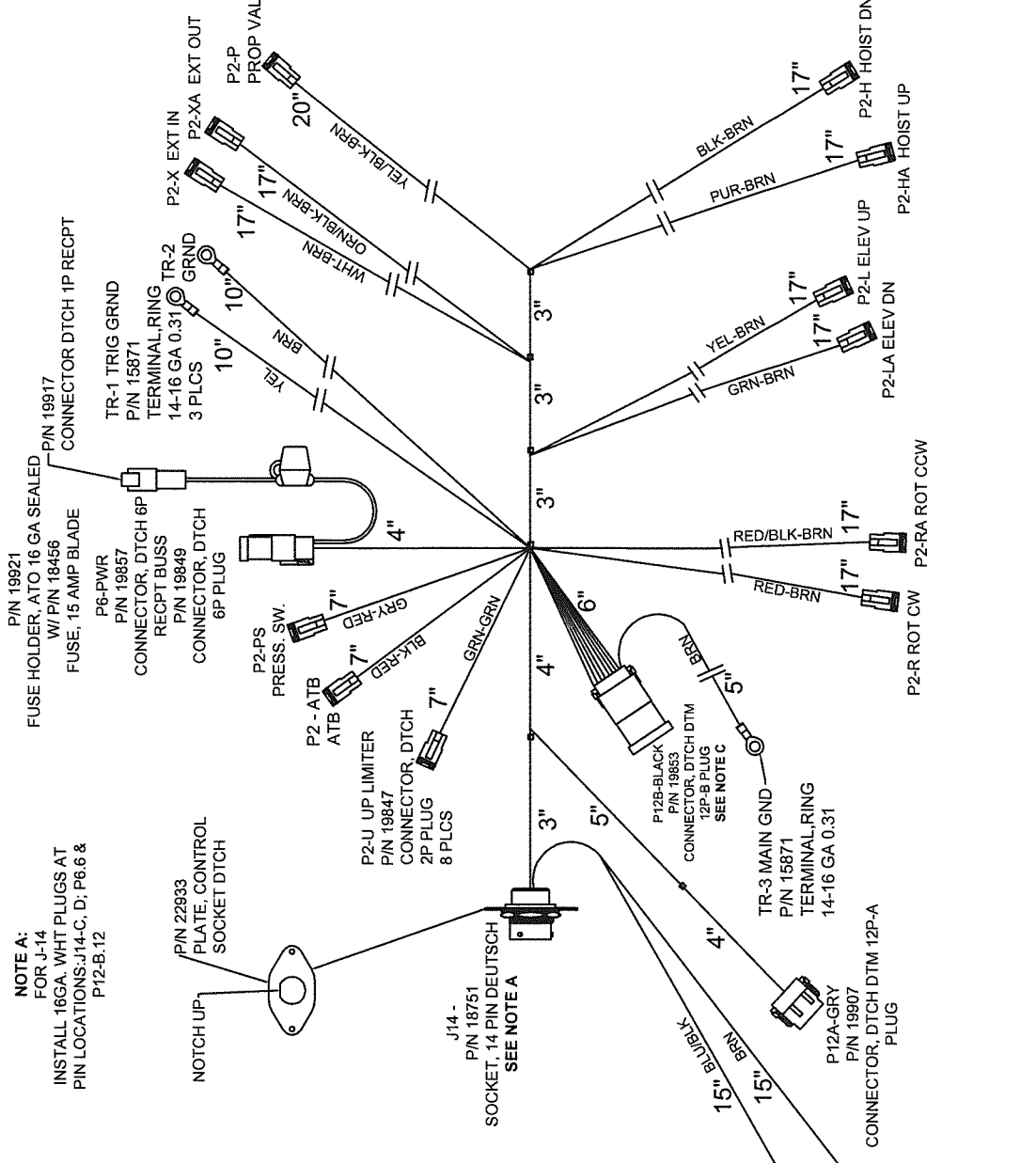
ITEMS WITH * HAVE DETAIL DRAWINGS

| # | PN | DESCRIPTION | QTY | # | PN | DESCRIPTION | QTY | # | PN | DESCRIPTION | QTY |
|---|------------|--------------------------------|-----|----|------------|---------------------------|-----|----|------------|---------------------------|-----|
| 1 | C:TH1.CW | ASSEMBLY, CLUTCH, TH1-CW | 1 | 7 | RZ*220-015 | BRAKE LOCATOR, TH2 | 1 | 13 | RZ*220-016 | SPRING, TH2 | 8 |
| 2 | RZ*220-081 | RETAINER, SPIROLOX #UR-162 | 1 | 8 | RZ*220-038 | BRAKE SEPERATOR, TH2 | 3 | 14 | RZ*220-043 | SEAL, O-RING, #2-357 | 1 |
| 3 | RZ*220-035 | SEAL, BRAKE SHAFT, TH2 | 1 | 9 | RZ*220-039 | BRAKE DISC, TH2 | 2 | 15 | RZ*220-042 | SEAL, BACKUP RING, #8-357 | 1 |
| 4 | RZ*220-002 | BASE, PRIMARY, TH2 | 1 | 10 | RZ*220-040 | SEAL, BACKUP RING, #8-356 | 1 | 16 | RZ*220-047 | SEAL, O-RING, #2-008 | 2 |
| 5 | RZ*220-066 | BEARING, SLEEVE, TH2 | 1 | 11 | RZ*220-041 | SEAL, O-RING, #2-356 | 1 | 17 | RZ*220-048 | SEAL, BACKUP RING, #8-008 | 2 |
| 6 | RZ*220-058 | SLEEVE, ROTARY SHAFT SEAL, TH2 | 1 | 12 | RZ*220-011 | BRAKE PISTON, TH2 | 1 | 18 | RZ*220-045 | BRAKE CONDUIT, TH2 | 1 |


| | | | |
|---|-----------------------|--|--------------------------------|
|  <p>Houston TX (713)-688-5533 www.liftmoor.com</p> | <p>DRWN BY: TV</p> | <p>DWG, WINCH BRAKE PARTS TH1</p> <p>ROTZLER</p> | <p>DRAWING NO. 50594-A</p> |
| | <p>DATE: 02-14-05</p> | | |

| CIRCUIT NUMBER AND DESCRIPTION | | Function |
|--------------------------------|-------------|------------|
| Wire Color | Wire Length | Connectors |
| BLU/BLK | 15" | J14-A |
| YEL | 17" | J14-B |
| WHT | 10" | J14-E |
| RED | 24" | J14-F |
| GRN | 14" | J14-G |
| ORN | 12" | J14-H |
| BLU | 12" | J14-J |
| WHT/BLK | 12" | J14-K |
| RED/BLK | 24" | J14-L |
| GRN/BLK | 12" | J14-M |
| ORN/BLK | 12" | J14-N |
| BLK | 33" | J14-P |
| BRN | 23" | P12A.1 |
| YEL/BLK | 42" | P12A.3 |
| GRY | 20" | P12A.4 |
| BLK | 20" | P12A.5 |
| WHT | 36" | P12A.9 |
| YEL | 33" | P12A.10 |
| PUR | 39" | P12A.11 |
| YEL | N/A | P6.1 |
| RED | 17" | P6.2 |
| RED | 11" | P6.4 |
| RED | 11" | P6.5 |
| GRN | 27" | P2-U.2 |

| | | |
|-----|-----|---------|
| BRN | 5" | P12B.1 |
| BRN | 32" | P12B.2 |
| BRN | 32" | P12B.3 |
| BRN | 26" | P12B.4 |
| BRN | 26" | P12B.5 |
| BRN | 29" | P12B.6 |
| BRN | 29" | P12B.7 |
| BRN | 23" | P12B.8 |
| BRN | 23" | P12B.9 |
| BRN | 35" | P12B.10 |
| BRN | 25" | P12B.11 |



NOTE A:
FOR J-14
INSTALL 16GA. WHT PLUGS AT
PIN LOCATIONS: J14-C, D, P6.6 &
P12-B.12



Houston TX
(713)-688-5533
www.liftmoore.com

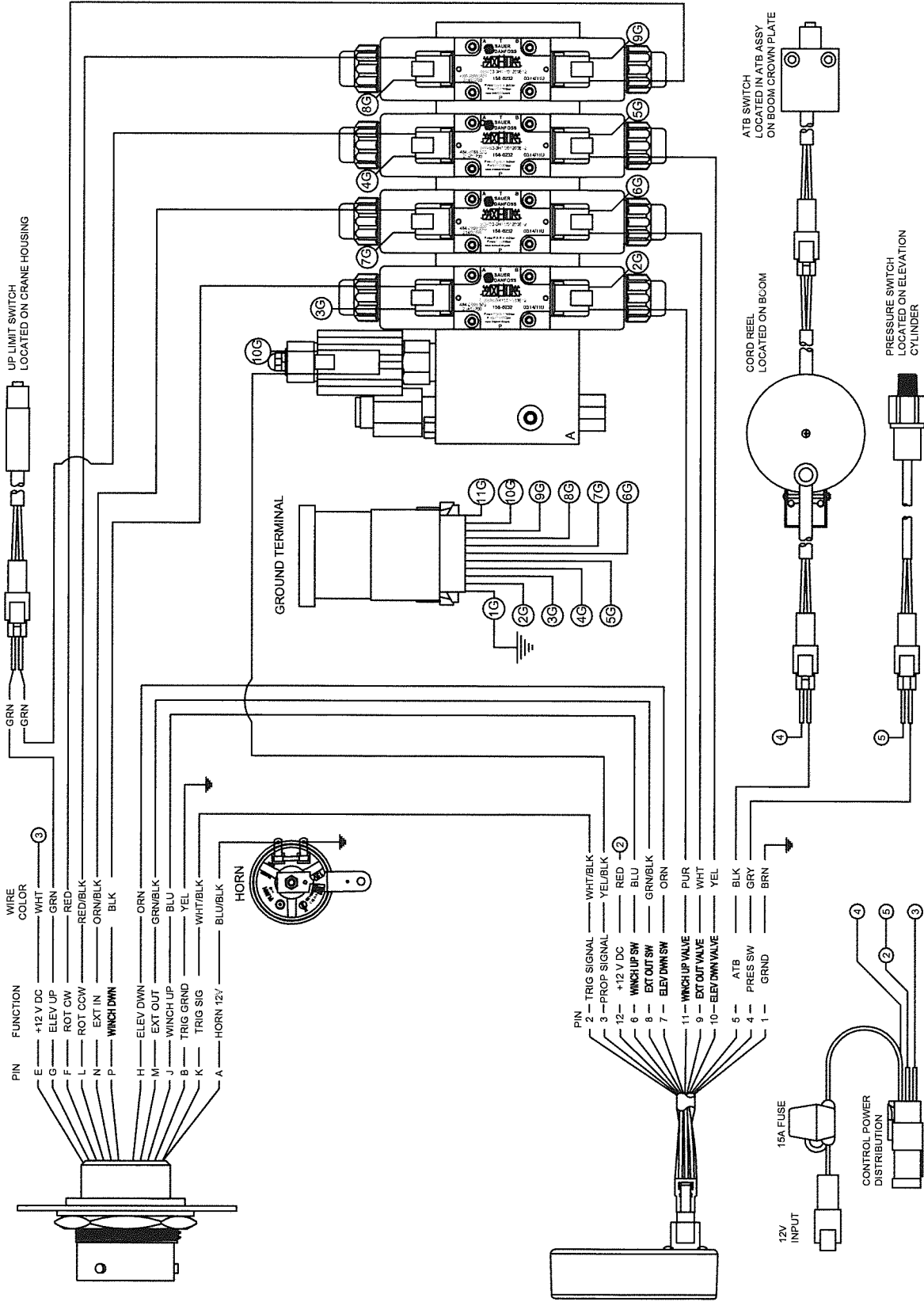
DRWN BY: JE
DATE: 1/2/12

DRAWING NO.
25317-0

EWH, DTCH HYD XP, HALL EFFECT

4064

THIS SCHEMATIC IS USED FOR EWH 25125.

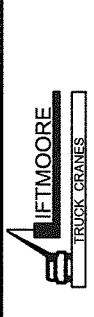


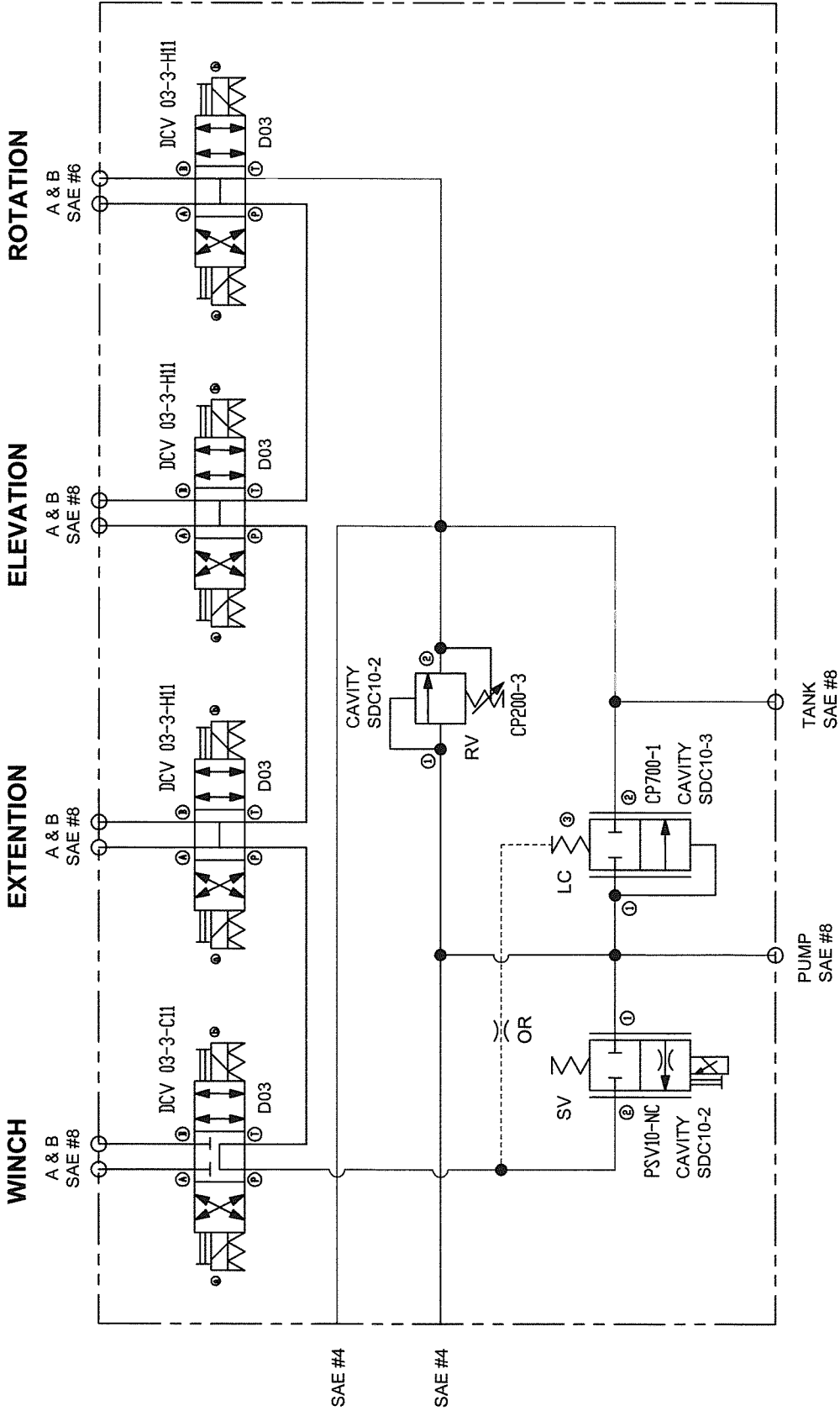
DRAWING NO.
50826-0

SCHEM, ELEC WIRING DTCH 3RD G XP ATB-BD
EWH 25125, HALL EFFECT, SD VAL

DRWN BY: JE
DATE: 9/10/12

Houston TX
(713)-688-5533
www.liftmoore.com





NOTE: HYDRAULIC SYSTEM RELIEF PRESSURE SET AT 2800 PSI.
FLOW RATE INTO CRANE SHOULD BE SET AT 6 GPM.

DRAWING NO.

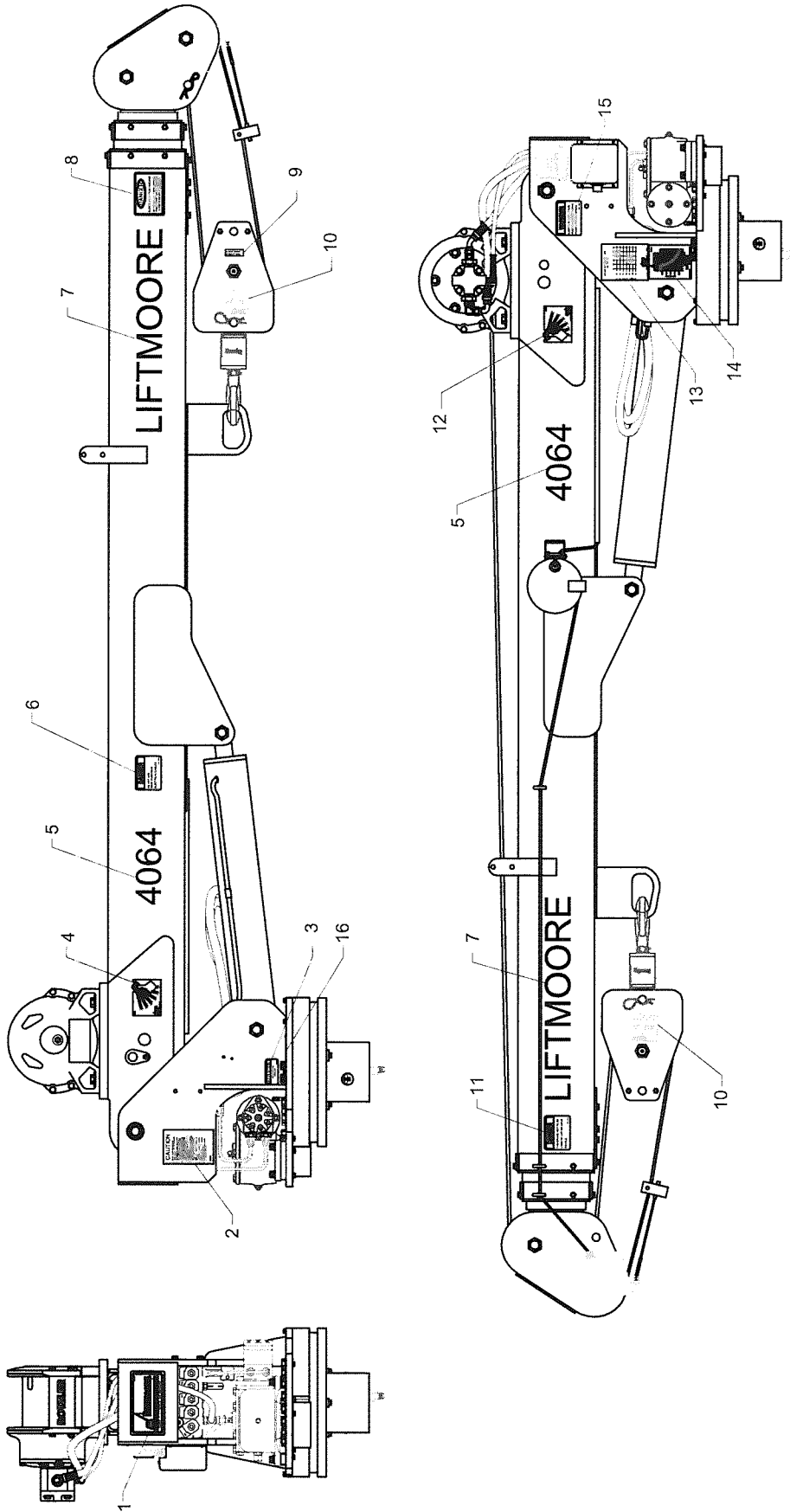
50813-0

SCHEM, HYD PROPORTIONAL
MANIFOLD P/N 24541 TANDEM CENTER WINCH

DRWN BY: JE
DATE: 10/28/11

Houston TX
(713)-688-5533
www.liftmoore.com





| # | PN | DESCRIPTION | QTY | # | PN | DESCRIPTION | QTY | # | PN | DESCRIPTION | QTY |
|---|-------|------------------------------|-----|----|-------|---------------------------------|-----|----|-------|--------------------------------|-----|
| 1 | 15581 | DECAL, LOGO LARGE | 1 | 7 | 15580 | DECAL, LIFTMOORE - 3.00" | 2 | 13 | 22377 | DECAL, LOAD CAPACITY 40K 10-22 | 1 |
| 2 | 16102 | DECAL, CAUTION READ MANUAL | 1 | 8 | 15618 | DECAL, DANGER ELECTRIC INJURY | 1 | 14 | 21198 | PLATE, SERIAL 4064 | 1 |
| 3 | 19756 | DECAL, ATTENTION GREASE GEAR | 1 | 9 | 22817 | DECAL, BLOCK & HOOK WT. 60 lbs. | 1 | 15 | 15615 | DECAL, WARNING TRAVELING BLOCK | 1 |
| 4 | 22376 | DECAL, ANGLE PENDULUM RIGHT | 1 | 10 | 21550 | DECAL, TRAVEL BLOCK 6400 LBS | 2 | 16 | 23389 | PLATE, SERIAL NO. MACH | 1 |
| 5 | 21203 | DECAL, 4064 HORIZONTAL | 2 | 11 | 32085 | DECAL, LIFTING PERSONNEL | 1 | | | | |
| 6 | 15579 | DECAL, DANGER CABLES | 1 | 12 | 22375 | DECAL, ANGLE PENDULUM LEFT | 1 | | | | |

LIFTMOORE
TRUCK CRANES

Houston TX
(713)-688-5533
www.liftmoore.com

DECAL DIAGRAM FOR THE 4064XP
WITH ATB ON LEFT SIDE, RZ TH1

DRAWING NO.
58369-0

DRWN BY: JC
DATE: 12/29/09

THIS DRAWING INTENTIONALLY LEFT BLANK

FOR FUTURE ADDITIONS

OR

A PART OR FEATURE IS NOT APPLICABLE TO THIS CRANE



Houston TX
(713)-688-5533
www.liftmoore.com

DRWN BY:

DATE:

DRAWING NO.

LIFTMOORE LIMITED WARRANTY

Parts and Structural

Liftmoore, Inc. warrants each LIFTMOORE crane to be free from defects in materials and workmanship for twelve (12) months from the date of delivery to the original customer. Under the terms of this warranty the crane structural components manufactured by LIFTMOORE, Inc. are warranted for thirty-six (36) months from the date of delivery to the original customer. LIFTMOORE, Inc. will repair or replace, as its sole discretion, any equipment or part that is returned f.o.b. to LIFTMOORE, Inc.'s plant at 7810 Pinemont Drive, Houston, Texas 77040, or to one of its authorized dealers, and is found by LIFTMOORE, Inc. or its authorized dealer to have been defective at the time of original delivery.

The foregoing warranty is the exclusive warranty made by LIFTMOORE, Inc. with respect to its cranes and is in lieu of all other warranties. ANY AND ALL OTHER WARRANTIES, EXPRESS OR IMPLIED, INCLUDING ANY WARRANTY OF MERCHANTABILITY OR FITNESS OF ANY CRANE FOR A PARTICULAR PURPOSE OR OPERATION, ARE HERBY EXPRESSLY DISCLAIMED.

The foregoing warranty applies only to LIFTMOORE cranes under normal use and service and does not apply in the event of damage caused by repair or alteration or damage during shipment, accident, negligence, overloading, or misuse, including operator's failure to follow any of the instructions issued with the crane.

This warranty is limited to the original purchaser and is not assignable. In order to submit a claim, the original purchaser must provide a copy of the original invoice for the crane in question within twelve (12) months following the delivery date and within 30 days from the date of repair.

The warranty applies only when the LIFTMOORE crane is used for commercial purposes and does not cover any purchase for use for personal, family or household purposes.

LIMITATION OF LIABILITY: LIFTMOORE, Inc.'s liability for any losses or damages resulting from any cause whatsoever, including LIFTMOORE, Inc.'s NEGLIGENCE or from a defective crane irrespective of whether such defects are discoverable or latent, shall in no event exceed the purchase price of the crane to which losses or damages are claimed, or at the election of LIFTMOORE, Inc., the repair or replacement of the defective crane.

In no event shall LIFTMOORE, Inc. be liable for any special, incidental, or consequential damages, including commercial losses or costs of any kind sustained by purchaser or any other person or for any damages for which purchaser may be liable to other persons by reason of any defect in any LIFTMOORE crane or any part thereof.

LIFTMOORE, Inc. reserves the right to make changes in design or construction of its cranes at any time without obligating itself to make such changes on cranes previously manufactured.

No agent, employee, or representative of LIFTMOORE, Inc. has authority to amend or modify the foregoing warranty or to bind LIFTMOORE, Inc. by any other warranty, guaranty, or assumption of liability.

In the event any provision of this warranty is for any reason held ineffective, the remaining provisions shall remain in full force and effect.

Some states do not allow limitations on how long an implied warranty lasts or the exclusion or limitation of incidental or consequential damages, so the above limitations and exclusions may not apply to you. This warranty gives you specific legal rights, and you may also have other legal rights that vary from state to state.

