

# TABLE OF CONTENTS

USERS MANUAL P/N 23889  
206WREL

## SECTION I

### GENERAL OPERATION, INSPECTION, AND MAINTENANCE

CRANE SAFETY RULES .....	F1122-B .....	1-1
INTRODUCTION .....	F1111-D .....	1-3
OPERATING RESTRICTIONS .....	F1449-0 .....	1-4
OPERATING PRACTICES .....	F1449-0 .....	1-4
INSPECTION AND MAINTENANCE .....	F1113-C .....	1-7
MONTHLY INSPECTION REPORT .....	F1448-0 .....	1-9

## SECTION II

### CRANE SYSTEMS AND TROUBLESHOOTING

206REL PENDANT CONTROL SYSTEM .....	F1172-0 .....	2-1
HYDRAULIC SYSTEM FOR ELECTRIC CRANE .....	F1145-C .....	2-3
TROUBLESHOOTING ELECTRIC CRANE .....	F1173-0 .....	2-5

## SECTION III

### CRANE SPECIFICATIONS

LIFTING CAPACITIES .....	F1450-D .....	3-1
POWER FUNCTIONS AND SPEEDS .....	F1450-D .....	3-1
LIFTING CAPACITIES - 206W .....	F1450-D .....	3-2
POWER FUNCTIONS AND SPEEDS - 206W .....	F1450-D .....	3-2
BOLT AND LUBRICATION SPECS .....	F1450-D .....	3-3

## SECTION IV

### PARTS

BOX PARTS LIST .....	F1713-0 .....	4-1
CRANE ASSEMBLY .....	DWG.23887-0 .....	4-2
PENDANT CONTROL .....	DWG.50723-A .....	4-3
TRAVEL BLOCK ASSEMBLY .....	DWG.22599-0 .....	4-4
BOOM-BODY ASSEMBLY .....	DWG.23886-0 .....	4-5
ELEVATION CYLINDER ASSEMBLY .....	DWG.19448-B .....	4-6
BODY ASSEMBLY .....	DWG.20117-D .....	4-7
MANIFOLD ASSEMBLY .....	DWG.23169-0 .....	4-8
HYDRAULIC PUMP .....	DWG.21589-0 .....	4-9
BASE-HOUSING ASSEMBLY .....	DWG.20116-D .....	4-10
GEAR BEARING ASSEMBLY .....	DWG.19430-B .....	4-11
ELECTRICAL SWIVEL .....	DWG.50471-E .....	4-12



# TABLE OF CONTENTS

USERS MANUAL P/N 23889

206WREL

BOOM ASSEMBLY – 206 .....	DWG.22222-A .....	4-13
BOOM ASSEMBLY – 206W .....	DWG.23885-0 .....	4-14
WINCH 1200.....	DWG.22289-A .....	4-15
WINCH 4000.....	DWG.23872-0 .....	4-16
ELECTRICAL SCHEMATIC.....	DWG.50469-E.....	4-17
DECAL DIAGRAM .....	DWG.58284-B .....	4-18

WARRANTY.....	F1442-A
---------------	---------



F1714-0  
7/28/10

HOUSTON, TEXAS  
FAX: (800) 824-5559 (USA & Canada)  
FAX: (713) 688-6324  
PHONE: (713) 688-5533  
[www.liftmoore.com](http://www.liftmoore.com)

## CRANE SAFETY RULES

### CAUTION!

1. READ AND UNDERSTAND OPERATOR'S MANUAL.
2. INSPECT VEHICLE AND CRANE, INCLUDING ITS OPERATION, BEFORE DAILY USE.
3. USE THIS EQUIPMENT ONLY ON SOLID LEVEL GROUND WITH OUTRIGGERS OR JACKSTANDS PROPERLY SET.
4. BEFORE OPERATING THE CRANE REFER TO MAXIMUM LOAD CHART ON CRANE FOR OPERATING LOAD LIMITS.
5. BE SURE LOAD BEING LIFTED IS WITHIN SAFE WINCH CAPACITY AS WELL AS SAFE CRANE CAPACITY. MULTI-PART LINE OPERATION IS REQUIRED WHEN SINGLE LINE LOAD CAPACITY OF WINCH IS EXCEEDED.
6. DO NOT OPERATE, WALK, OR STAND UNDER THE BOOM OR ANY SUSPENDED LOAD.
7. ALWAYS PAY OUT LOAD LINE BEFORE EXTENDING BOOM. WIRE ROPE DAMAGE AND / OR BREAKAGE MAY OCCUR.
8. BOOM MUST BE IN ITS REST BEFORE MOVING VEHICLE.
9. BOOM TIP MUST BE DIRECTLY OVER THE LOAD BEFORE ANY LIFTING IS STARTED. DO NOT DRAG LOADS WITH THIS CRANE.
10. MAINTAIN THIS CRANE AS REQUIRED IN THE OWNER'S MANUAL.
11. DO NOT ALLOW PERSONNEL TO RIDE ON THE LOAD LINE, LOAD, OR BOOM OF THIS CRANE.
12. IT IS UNLAWFUL TO OPERATE THIS EQUIPMENT WITHIN TEN FEET OF HIGH VOLTAGE LINE



THIS PAGE INTENTIONALLY LEFT BLANK



F1122-B  
05/12/08

HOUSTON, TEXAS  
FAX: (800) 824-5559 (USA & Canada)  
FAX: (713) 688-6324  
PHONE: (713) 688-5533  
[www.liftmoore.com](http://www.liftmoore.com)

## INTRODUCTION

This crane is a powerful machine designed to lift and move heavy loads. There are many hazards associated with these operations. Liftmoore has designed this crane to be as safe as possible but -

**IT IS THE OPERATOR'S RESPONSIBILITY TO PREVENT ACCIDENTS!**

This takes pre-planning, attention, and knowledge of basic principles and rules. Even if you have used similar cranes, reading this manual in its entirety will help prevent damage, injury, or even loss of life; benefits well worth the short amount of time it takes to read these pages.

### REGULATORY AUTHORITY

Use of this crane is governed by OSHA 29 CFR 1910.180 and may be governed by other federal, state, or local regulations.

**IT IS THE OPERATOR'S RESPONSIBILITY TO UNDERSTAND AND COMPLY WITH ALL APPLICABLE REGULATIONS GOVERNING THE OPERATION, INSPECTION, AND MAINTENANCE OF THIS CRANE.**

Personnel should be trained, tested, and certified, as recommended by OSHA and ANSI standards, before operating this crane.

### USING THIS MANUAL

This manual assumes that the crane is mounted on a typical service body type or similar truck, which is powered by the vehicle electrical or hydraulic system, and is controlled by either the standard pendant control or FM radio control sold by Liftmoore, Inc.

This manual is supplied to provide basic guidelines for the safe use, routine maintenance, and general inspections of this crane.

Laws, regulations, standards, or policies may be more restrictive than this manual. If a conflict exists for any limit or condition, the safest or most prohibitive shall be used. Under no circumstances shall the load, moment, or stability ratings be exceeded.

Pay particular attention to the following:

**WARNING!** – Draws attention to hazards, conditions, or procedures that if not observed could result in injury or death.

**CAUTION!** – Draws attention to hazards, conditions, or procedures that if not observed could result in damage to the crane, load, or other equipment. Equipment failure could in turn lead to injury or death.

**NOTE!** – Draws attention to conditions or procedures that are essential to emphasize.

For questions, interpretations, or to report errors, please contact Liftmoore, Inc, Engineering Dept.



## OPERATING RESTRICTIONS

### DUTY CYCLE

For Electric Cranes the duty cycle time should be limited to 10%. This is limited by heat buildup in the motors and declining charge in the batteries. (Installing extra batteries near the crane helps keep the voltage at maximum.)

### PERSONNEL

LIFTING OR MOVING OF PERSONNEL IS STRICTLY PROHIBITED! This crane was neither designed nor intended to lift personnel. Under no circumstances should anyone be allowed to ride on the crane, line, or load. All non-essential personnel must be kept away when using the crane. The load must never be moved over people, nor must anyone be allowed to pass or stand under a suspended load.

### ELECTRICAL LINES

Consult ANSI B30.5 for operating procedures, minimum safe distances, and prohibited zones when working around electrical lines or poles.

When operating near electrical power lines, the crane must be positioned so that the distance from the crane to the lines or poles is equal to or greater than the length of the fully extended boom plus the minimum safe distance required.

All parts of the crane, line, and load must be kept a minimum safe distance from electrical power lines and poles. This distance is 10 feet for electrical lines carrying 50kV or less.

**UNDER NO CIRCUMSTANCES SHOULD A CRANE BE OPERATED UNDER ELECTRICAL POWER LINES.**

## OPERATING PRACTICES

### SETUP

**POSITION** The vehicle must be positioned so that the load is kept as close to the crane base as possible to reduce the moment on the crane. Consideration must be given to starting and ending position as well as firmness and slope of the ground and any obstructions.

**OUTRIGGERS** The outriggers or jackstands must be firmly set and the vehicle as level as possible. This will reduce the stresses on the rotation drive and keep the load off the vehicle's suspension. Keep in mind that the weight on the vehicle will shift as the crane and load are rotated.

**LOAD LIMIT** The operator must understand the crane load chart. The operator must ensure that the load is within the load limits over the entire range which it will be moved. Be sure to include the weight of any lifting devices including the travel block.

The load limit chart is attached to the side of the crane to aid the operator.

The boom angle indicator and chart aids the operator in determining the load capacity at various boom angles and extensions. It also gives the load limit at that configuration.

**STABILITY** The operator is responsible to verify that the truck is stable at any area where the Crane is rotated.

**TRAVEL BLOCK** The operator must determine if the load is within the single line compatibility of the winch or if a multi-part line configuration is needed.



**REEVING** Ensure the proper routing of the rope through the sheaves and travel block. The rope must lie in the sheave groove and must not rub against any metal objects.

Ensure the rope is correctly wound on the winch drum. The crane assembly drawing will indicate if the rope must be wound over the top or bottom of the drum. The rope must never contact any part of the winch mounting.

### WARNING!

If the winch winding direction is reversed the brake will not work and the load will fall.

### ATTACHING THE LOAD

**POSITION** The boom tip must be moved over the load before lifting so that it will be lifted straight up.

### CAUTION!

Never drag a load with the crane. Dragging a load puts very high stresses on the crane for which it was not designed.

**ROPE** Check the rope condition to ensure it is not frayed or damaged. Ensure that the rope is not kinked and that it does not contact any sharp edges or make any sharp bends.

If using double line configuration, ensure that the lines are not twisted.

### CAUTION!

Never wrap the hoist rope around the load! Serious damage to the rope WILL occur.

**HOOK** Always make sure the load is applied to the throat of the hook. Never use a bent hook.

### CAUTION!

Always lift with the throat of the hook. Never lift with the load applied to the tip of the hook. Doing so will bend the hook.

**SLINGS** If the load does not have a lifting eye, use a nylon, chain, or other type of sling designed for lifting and rated for loads greater than that being lifted.

**BALANCE** Ensure the load will be secure and balanced when lifted. Ensure that the load cannot shift in the sling and that the sling cannot slide across the hook should the load become unbalanced.

### LIFTING THE LOAD

Before lifting, ensure that the load is free from all mountings and is no way attached or stuck to anything.

Ensure that at least five full wraps remain on the winch drum at all times.

Test the winch brake by lifting the load a few inches and ensuring that it does not slip.



## **HOLDING THE LOAD**

The operator must keep the load in sight at all times once it is lifted.

The operator must never leave the controls once the load is lifted.

The operator must ensure that no one is allowed to pass or stand under a suspended load.

## **CAUTION!**

Never move the vehicle with a suspended load. Doing so will put dynamic loads on the crane for which it was not designed.

## **MOVING THE LOAD**

Before moving the load, make sure the path is free of any obstructions or people.

Avoid sudden accelerations or stops. Speeds must be kept to a minimum, especially rotation, to keep the load from swinging.

Avoid sudden reversing of direction. Do not reverse direction while the load is still moving.

Make sure the that no part of the crane, boom, or load makes contact with any obstruction or comes within a minimum of ten feet from any electrical line.

## **TRANSIT**

While in transit, the crane must be stowed, preferably in a boom rest. The crane must be prevented from rotating and the hook prevented from swinging.





## INSPECTION AND MAINTENANCE

OSHA and ANSI require frequent and periodic inspections. Records of these inspections must be kept readily available. Liftmoore requires periodic maintenance to ensure proper operation and prolonged life of the crane.

### INSPECTION

#### DAILY INSPECTION

OSHA 29CFR 1910.180 (d)(2)(i) requires the following be checked daily prior to use:

- All control mechanisms for maladjustment interfering with proper operation as well as for excessive wear of components and contamination by lubricants or other foreign matter.
- All safety devices for malfunction. This should include the anti-two block and pressure switch.
- Deterioration or leakage in air or hydraulic systems.
- Crane hooks with deformations or cracks. For hooks with cracks or having more than 15 percent in excess of normal throat opening or more than 10 deg. twist from the plane of the unbent hook.
- Electrical apparatus for malfunctioning, signs of excessive deterioration, dirt, and moisture accumulation. This should include the battery terminals, master disconnect switch, electrical swivel
- The wire rope shall be replaced if any of the following conditions are noted:
  - Reductions from nominal diameter of more than one-sixty-fourth inch for diameters up to and including five-sixteenths inch, one-thirty-second inch for diameters three-eighths inch to and including one-half inch.
  - Thimble is not in place or is damaged
  - Any evidence of heat damage
  - Six or more randomly distributed broken wires in 1 lay
  - Three or more broken wires in 1 strand in 1 lay

#### MONTHLY INSPECTION

A thorough inspection of all ropes in use shall be made at least once a month and a certification record which includes the date of inspection, the signature of the person who performed the inspection and an identifier for the ropes shall be prepared and kept on file where readily available. All inspections shall be performed by an appointed or authorized person. Any deterioration, resulting in appreciable loss of original strength shall be carefully observed and determination made as to whether further use of the rope would constitute a safety hazard. Some of the conditions that could result in an appreciable loss of strength are the following:

- Reduction of rope diameter below nominal diameter due to loss of core support, internal or external corrosion, or wear of outside wires.
- A number of broken outside wires and the degree of distribution of concentration of such broken wires.
- Worn outside wires.



- Corroded or broken wires at end connections.
- Corroded, cracked, bent, worn, or improperly applied end connections.
- Severe kinking, crushing, cutting, or unstranding.

#### PERIODIC INSPECTION

An Annual Inspection Form is included in this manual. OSHA 29CFR 1910.180 (d)(2)ii requires periodic inspections of this crane. Liftmoore recommends an annual inspection using the included form.

#### MAINTENANCE PRECAUTIONS

Before any maintenance is performed, the vehicle should be out of the way and the crane secured.

#### WARNING!

Never perform any maintenance while the crane has any type of load on it. Use the manual operation procedure to lower the load if necessary.

#### WARNING!

Hydraulic cylinders may have high pressure stored in them even after hydraulic power is removed.

The counterbalance and pilot operated check valve in the cylinder will always hold some pressure in the cylinder. Slightly extending the cylinder then retracting a small amount will relieve most of the pressure in the cylinder. **DO NOT DEADHEAD THE CYLINDER!** This will store the maximum amount of pressure in the cylinder. Care should be taken when either valve is removed from the cylinder as some pressure will still remain.

After any maintenance has been performed the crane shall not be operated until all guards have been reinstalled, all safety devices reactivated, and maintenance equipment removed.

**LUBRICATION** Refer to the crane specification section for the periodic maintenance schedule and type of lubrication required.

**BOLTS** Bolts may loosen over time due to vibration; therefore they should be checked periodically. If bolts need to be replaced, make sure they are replaced with bolts of equal or greater strength. Check the periodic maintenance schedule (Crane Specification Section) for bolt specification and torque.

#### NOTE!

Sheave and boom and cylinder pivot bolts are not standard bolts. The shank and thread length of these bolts have been modified so that they do not pivot on the threads. Consult the parts section of this manual for part numbers of these bolts.

#### OTHER MAINTENANCE

Refer to parts drawings for any specific maintenance or adjustment procedures such as hydraulic winch brake, rotation drive gear set adjustment, ect.



## MONTHLY INSPECTION REPORT

### Manual Boom Extension

**Crane Model No.** \_\_\_\_\_ **Serial Number** \_\_\_\_\_

Are Boom Hitch Pins and Keepers in place? Yes \_\_\_\_\_ No \_\_\_\_\_

Wire Line Hook with Safety Latch Working? Yes \_\_\_\_\_ No \_\_\_\_\_

Is Hook OK, (Not bent)? Yes \_\_\_\_\_ No \_\_\_\_\_

Is Thimble on Wire Rope OK? Yes \_\_\_\_\_ No \_\_\_\_\_

Does Traveling Block function correctly? Yes \_\_\_\_\_ No \_\_\_\_\_

Is Wire Rope OK, not kinked or frayed? Yes \_\_\_\_\_ No \_\_\_\_\_

Are all Boom Sections straight? Yes \_\_\_\_\_ No \_\_\_\_\_

Are Sheave Bolts in place and tight? Yes \_\_\_\_\_ No \_\_\_\_\_

Do all Sheaves rotate easily? Yes \_\_\_\_\_ No \_\_\_\_\_

Are Mounting Bolts torqued correctly? Yes \_\_\_\_\_ No \_\_\_\_\_

Is Boom Angle Indicator in place and functioning,  
and is Chart legible? Yes \_\_\_\_\_ No \_\_\_\_\_

Are Cylinder or Boom Support Mounting Bolts secure? Yes \_\_\_\_\_ No \_\_\_\_\_

Are Winch Mounting Bolts tight? Yes \_\_\_\_\_ No \_\_\_\_\_

When stopped, does winch down drift less than 1.0 Inches? Yes \_\_\_\_\_ No \_\_\_\_\_

Is Load Chart in place and easily read? Yes \_\_\_\_\_ No \_\_\_\_\_

Are functions on Pendant operating correctly? Yes \_\_\_\_\_ No \_\_\_\_\_

Is Hydraulic Reservoir full? Yes \_\_\_\_\_ No \_\_\_\_\_

Is Outrigger or jackstand straight and functioning? Yes \_\_\_\_\_ No \_\_\_\_\_

Any items checked 'No' must be repaired before using this crane.



THIS PAGE INTENTIONALLY LEFT BLANK



HOUSTON, TEXAS  
FAX: (800) 824-5559 (USA & Canada)  
FAX: (713) 688-6324  
PHONE: (713) 688-5533  
[www.liftmoore.com](http://www.liftmoore.com)

## 206REL PENDANT CONTROL SYSTEM

All user inputs are facilitated by the remote pendant control. The pendant consists of pistol grip housing, function switches, wire, and control plug. The control plug mates with the crane control socket.

Elevation and Rotation function switches activate the hydraulic pump along with the applicable function valve.

Hoist Up and Elevation Down output signals are dependant on an input signal from the load sensor. If the load sensor is activated then these functions will not work until the overload condition is corrected.

### OPERATION

Plug the pendant into the crane control socket. Ensure all pins are straight and free of dirt, moisture, and corrosion. Turn the locking ring approximately 1/3 turn until it clicks into the locked position.

Select the function switch and direction as indicated on the label for the desired operation.

### CARE AND MAINTENANCE

The pendant control is designed to be as rugged and maintenance free as possible; however, care should be used in handling and storage as it is expensive to replace.

Follow these simple practices:

- Keep the pendant out of the weather
- When not in use, store the pendant inside the vehicle
- Do not wrap the wire too tightly as internal damage to the wires may result
- Do not place sharp or heavy objects on the cord

### NOTE!

The pendant is designed to be weatherproof not waterproof. It may be used in inclement weather, but if left outside or where water can puddle, water can seep inside.

Maintenance should be limited to routine inspection of the plug, wire, and fasteners.

### SAFETY SYSTEM

The safety system is designed to help prevent damage to the crane that would be caused by overload. When the pressure switch detects an overload, winch up and boom down are deactivated since these directions would cause damage. Winch down, boom up, and power rotation will still function so that the crane can be moved to a safe configuration.

### CAUTION!

Never de-activate or override safety functions. Doing so can result in serious damage to the crane and possibly injury or death.

### LOAD SENSOR

A pressure activated switch in the elevation cylinder acts as a load sensor. This switch is normally closed and opens at the preset pressure corresponding to the rating of the crane.

### CAUTION!

The load sensor will not function when the elevation cylinder is fully retracted and is inaccurate when the boom is below horizontal.

### CAUTION!

The operator must never rely strictly on the load sensor to determine overload conditions. The load and load limits must always be known and adhered to.



## MISCELLANEOUS

### UP LIMIT SWITCH

The up limit switch prevents the elevation cylinder from reaching full extension. If the elevation cylinder were to "dead-head", the resulting pressure would activate the load sensor, preventing boom down. The boom would then have to be lowered using the manual operation buttons on the solenoid valves.

### FUSE

A fuse is supplied with the crane and should be installed as close to the battery as possible.

### DISCONNECT SWITCH

A power disconnect switch is supplied with the crane. Power to the crane should be turned off whenever not in use. This is to prevent inadvertent or unauthorized use and will help prevent corrosion at electrical connections.



## HYDRAULIC SYSTEM FOR ELECTRIC CRANES

The hydraulic system consists of the hydraulic pump, manifold, solenoid valves, cylinders, motors, and tubing and hoses. Hydraulic power is generated by the electrically driven hydraulic pump on the outside of the housing. The hydraulic system is plumbed in series so that more than one function can be operated simultaneously.

### PUMP

The hydraulic pump assembly consists of a DC permanent magnet electric motor, pump, and reservoir.

The motor is activated by the pump solenoid. The solenoid is energized by the pendant control whenever a hydraulic function is activated.

The pump provides fluid pressure to power hydraulic functions. The system incorporates an adjustable relief valve to prevent damage that can be caused by over pressurizing the system.

Fluid is drawn from and returned to the reservoir. Servicing the hydraulic pump consist of maintaining the oil level. The reservoir should be kept as full as possible to prevent condensation from forming inside the tank. Also ensure the oil is not contaminated by water, dirt, rust, etc. See crane specification sheet for hydraulic oil type.

### SOLENOID VALVES

Each hydraulically operated function is controlled by a 4-way, 3-position open center solenoid valve. It is electrically operated and spring biased to center. A manual operation button is incorporated in the coil-retaining nut. Valves are mounted to the series manifold.

## CYLINDERS

Most hydraulic cylinders are double acting cylinders with integrally mounted counterbalance valve and pilot operated check valves. Refer to the cylinder drawings for specific information.

All cylinders use a counter-balance load holding cartridge valve on the extend port.

This valve performs 3 functions:

- Controls the rate of decent when lowering the load
- Keeps load from falling in the event of sudden loss of system pressure, such as when a hose bursts.
- Acts as a relief valve to prevent damage from induced load or thermal expansion.

It allows free flow to extend then blocks flow until opened by pilot pressure to the retract port or when the relief pressure is reached.

Some cylinders utilize a pilot operated check valve on the retract port to prevent the cylinder from creeping out under no load conditions. This valve allows flow into, but prevents flow from the retract port, thus hydraulically locking the cylinder until opened by pilot pressure to the extend port.

## MOTORS

### THE HYDRAULIC MOTOR USED BY THE ROTATION DRIVE IS A HIGH-TORQUE, LOW-SPEED CONSTANT DISPLACEMENT MOTOR. MANUAL OPERATION

If electrical problems occur the solenoid valves may be operated manually by depressing the manual operation button incorporated in the coil-retaining nut. Using a blunt object such as a bolt or screwdriver handle may be required to assist operation if high pressures are needed. Refer to the manifold drawing for function valves and directions.

If possible, activate the pump by activating a hydraulic function on the pendant. If this does not work, then energize the pump solenoid using a jumper from the hot side of



the solenoid to the coil post where the WHT/BLK wire is connected. If this fails also then battery voltage can be applied directly to the pump motor.

If hydraulic power is lost while a load is suspended, the load can be lowered by decreasing the setting on the counter-balance valve. This should only be done in extreme cases. The valve must be reset before the crane is returned to use.

**WARNING!**

The boom may fall if the adjustment is made too fast. Do not stand where the boom may hit you if it falls. Serious injury or death may result

**WARNING!**

The area between the boom and the cylinder, the boom and the housing, and the cylinder and the housing will change as the boom position changes and could form pinch points. Do not position any part of your body in these areas as it may be pinched or crushed as the boom lowers.

To decrease the setting, loosen the locknut on the valve, then slowly turn the adjustment stem **CLOCKWISE** until the load begins to lower. Count the number of turns so that the valve can be returned to its original setting.

Alternately, a pressure gage must be put on the retract port to adjust the setting so that approx. 1800 PSI is required to lower the boom with no load.

Test the setting by lifting a known load near the moment rating.





## TROUBLESHOOTING ELECTRIC CRANES

### LOAD SENSOR LIMITING IN PENDANT

#### GENERAL

If a problem exists, always start with the basics and work towards the more complicated.

On electric cranes, power enters the crane through an electric swivel, runs to the solenoid and is jumpered to the winch contactor on the outside of the housing. The contactor sends electrical power to the winch when it receives a 12V input signal. Similarly, the hydraulic pump is switched through the solenoid when a hydraulic function (rotation, elevation, or extension) is activated.

When diagnosing an electrical problem, it is important to start by ensuring that the crane is receiving full electrical power from the battery and that the crane is properly grounded. Running the truck is a good way to ensure proper battery power, but caution must be used to avoid carbon monoxide poisoning in closed areas. The diagnosis begins by verifying that power is getting through the swivel.

#### POWER IN AND SWIVEL

If a problem exists, first ensure that the crane is receiving full voltage of at least 12VDC.

Start by checking for power out of the truck at the Mecon connector on the bottom of the crane. Next, check for power on the top post of the solenoid mounted inside the crane housing. If this post does not have power, but the Mecon connector does, the problem is in the electric swivel. See the Electric Swivel Assembly drawing for a full breakdown of the electric swivel and to order parts.

#### HYDRAULIC PUMP POWER

If power is being transmitted through the swivel, but the hydraulic pump will not run there may be a problem in the pump solenoid. First, ensure that the solenoid is grounded properly by checking continuity between the truck frame and the grounding post on the solenoid.

Next, inspect the incoming power wire from the swivel, the outgoing jumper to the pump, and the pump ground wire for corrosion or breaks.

Finally, check for 12V at the White/Black control wire when a hydraulic function switch is activated. If this has power but the motor wire does not, the solenoid may be bad or poorly grounded.

#### ELECTRIC WINCH

Because the winch is reversible and electrically operated, a contactor is used to supply the electrical power to the unit. The contactor is under the contactor cover on the outside of the crane housing.

If the winch is not functioning properly, first verify that the contactor is receiving full power from the positive jumper on the solenoid and that the contactor is properly grounded.

Next, check that the control wires from the receiver are supplying 12V of signal when a winch function is activated.

If all these check out but the positive motor wire at the winch is dead, the contactor may need replacement.



## HOIST UP / BOOM DOWN

If Hoist Up and Boom Down out do not work, the problem is likely in the crane safety system. The problem may be the load sensor, the associated wiring, or the pendant.

### CHECK LOAD SENSOR

Check Pin M on the crane control socket. If this pin has voltage, then the load sensor is good. Check the pendant.

If Pin M is not receiving voltage, locate the load sensor wire inside the crane housing. It is a two-conductor wire: red and white. The red wire is connected to the GRN/BLK wire from the control socket and the white wire is connected to a white power wire in the crane.

Disconnect and check for continuity between the two load sensor wires. If there is no continuity, the load sensor is bad and needs to be replaced.

Check the white wire on the crane to ensure that it is receiving voltage, if not, check the fuse and follow the wiring back to the power input (see the Power In and Swivel section above if necessary) checking for loose connections or broken wires.

## SOLENOID VALVES

If one function does not work, try to operate it manually. If it does not work, either the solenoid or the applicable actuator is malfunctioning. Contact Liftmoore for more information.

If it works manually, then the problem is electrical. Disconnect the electrical connector going to the applicable solenoid valve. Check for voltage when the switch is activated, the voltage should be at least 12V (battery voltage).

If no voltage is received, check the continuity between the connector and the applicable pin on the crane control socket for non-safety function or the relay card for

safety functions. If there is no continuity, then a check for broken wires or bad connections. If the wiring is good, then check the control pendant or relay card.

If the voltage checks good, check the resistance on the coil. Connect an ohmmeter to the applicable pin on the receptacle and ground. The resistance should be between 5 and 6 ohms. If the resistance is near zero then the coil is shorted and needs to be replaced.

If the circuit is open, then check ground on the valve coil. Also check for continuity between the manifold and the crane. If there is no continuity, remove one of the manifold's mounting bolts, clean under the head and reinstall.



## PENDANT (NON-FM)

If no functions work, check that Pin E on the crane control socket has power.

If the crane control socket is getting power, then check that the power wire is not broken. Select a function and direction then check continuity between Pin E and the activated function/direction on the pendant control plug. If there is no continuity then the pendant needs to be repaired or replaced.

### FOR HOIST UP AND BOOM DOWN

With the pendant disconnected, activate the function and check for continuity between the function's pin (see table) and Pin M.

### FOR ANY OTHER FUNCTION

Check continuity between that function pin (see table) and Pin E on the pendant control plug. There should be continuity once the switch is activated in selected direction.

For hydraulic functions, there should also be continuity between Pin E and Pin K. The continuity should break when the switch is released.

If these conditions are not met then the pendant needs to be repaired.

### FUNCTION PINS:

Pin	Function	Color
E	POWER	WHT
F	ROTATE CW	RED
G	ELEV UP	GRN
H	ELEV DWN	ORN
J	HOIST UP	BLU
K	PUMP	WHT/BLK
L	ROTATE CCW	RED/BLK
M	LOAD SENSOR	GRN/BLK
P	HOIST DWN	BLK



THIS PAGE INTENTIONALLY LEFT BLANK



HOUSTON, TEXAS  
FAX: (800) 824-5559 (USA & Canada)  
FAX: (713) 688-6324  
PHONE: (713) 688-5533  
[www.liftmoore.com](http://www.liftmoore.com)

## SECTION 3 CRANE SPECIFICATIONS

### MODEL 206REL CRANES

MOMENT RATING                      6500 FT-LBS

MAX SINGLE LINE LOAD            1000 LBS

MAX DOUBLE LINE LOAD          2000 LBS

LIFTING CAPACITIES AT VARIOUS LOAD RADII

LOAD RADIUS (FT)	CAPACITY (LBS)
3	2167
5	1300
6	1083
7	929
9	722

HOIST FOR THE M (P/N 22289)

LOAD (LBS)	LINE SPEED (FT/MIN)	AMP DRAW
0	26	25
500	22	70
1000	18	115

ELECTRICAL REQUIREMENTS

VOLTAGE	12 VDC	
CIRCUIT BREAKER	150 AMP	
FUSE	15 AMP	(CONTROL WIRING)

NOTE: FUNCTION TIMES ARE BASED ON THESE INPUT VALUES



F1450-D  
12/16/09

HOUSTON, TEXAS  
FAX: (800) 824-5559 (USA & Canada)  
FAX: (713) 688-6324  
PHONE: (713) 688-5533  
[www.liftmoore.com](http://www.liftmoore.com)

**CRANE SPECIFICATIONS**

(Continued)

**MODEL 206WREL CRANES**

MOMENT RATING                    6500 FT-LBS

MAX SINGLE LINE LOAD        2000 LBS

## LIFTING CAPACITIES AT VARIOUS LOAD RADII

LOAD RADIUS (FT)	CAPACITY (LBS)
<3	2000
4	1625
6	1083
8	813
10	650
12	542

## HOIST FOR THE WM (P/N 22803)

LOAD (LBS)	LINE SPEED (FT/MIN)	AMP DRAW
0	17	25
400	16	45
1200	14	85

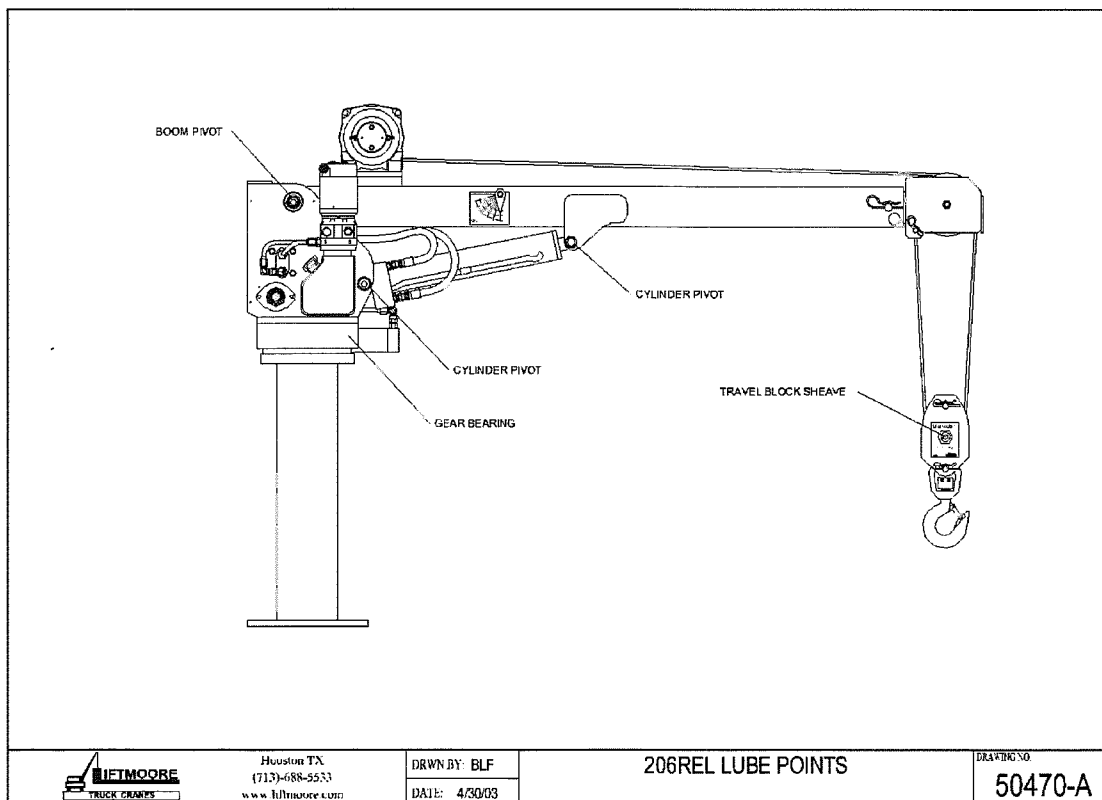
## ELECTRICAL REQUIREMENTS

VOLTAGE	12 VDC	
CIRCUIT BREAKER	150 AMP	
FUSE	15 AMP	(CONTROL WIRING)

NOTE: FUNCTION TIMES ARE BASED ON THESE INPUT VALUES

F1450-D  
12/16/09HOUSTON, TEXAS  
FAX: (800) 824-5559 (USA & Canada)  
FAX: (713) 688-6324  
PHONE: (713) 688-5533  
[www.liftmoore.com](http://www.liftmoore.com)

PERIODIC MAINTENANCE SCHEDULE		
MODEL 206 CRANES		
<b>BOLTS</b>		
MOUNTING BOLTS	1/2-13 GRADE 8 TORQUE 110FT-LBS DRY	EVERY 4 MONTHS
<b>LUBRICATION</b>		
GREASE FITTINGS	SEE DRAWING 50470	EVERY OTHER WEEK
HYDRAULIC FLUID	STANDARD Chevron AW Hydraulic Oil 46 or equivalent SAE 15 weight oil  COLD WEATHER AW 32 or equivalent SAE 10 weight oil	CHECK DAILY, FILL AS NEEDED
BEARING (ZERK AND TEETH)	Oil Center Research PM 600 Military grease or equivalent Benton Based Grease NLGI Grade 2	EVERY 6 HOURS OF OPERATION



F1450-D  
12/16/09

HOUSTON, TEXAS  
 FAX: (800) 824-5559 (USA & Canada)  
 FAX: (713) 688-6324  
 PHONE: (713) 688-5533  
 www.liftmoore.com

THIS PAGE INTENTIONALLY LEFT BLANK



HOUSTON, TEXAS  
FAX: (800) 824-5559 (USA & Canada)  
FAX: (713) 688-6324  
PHONE: (713) 688-5533  
[www.liftmoore.com](http://www.liftmoore.com)



**LIST FOR BOX, CRANE PARTS 206**

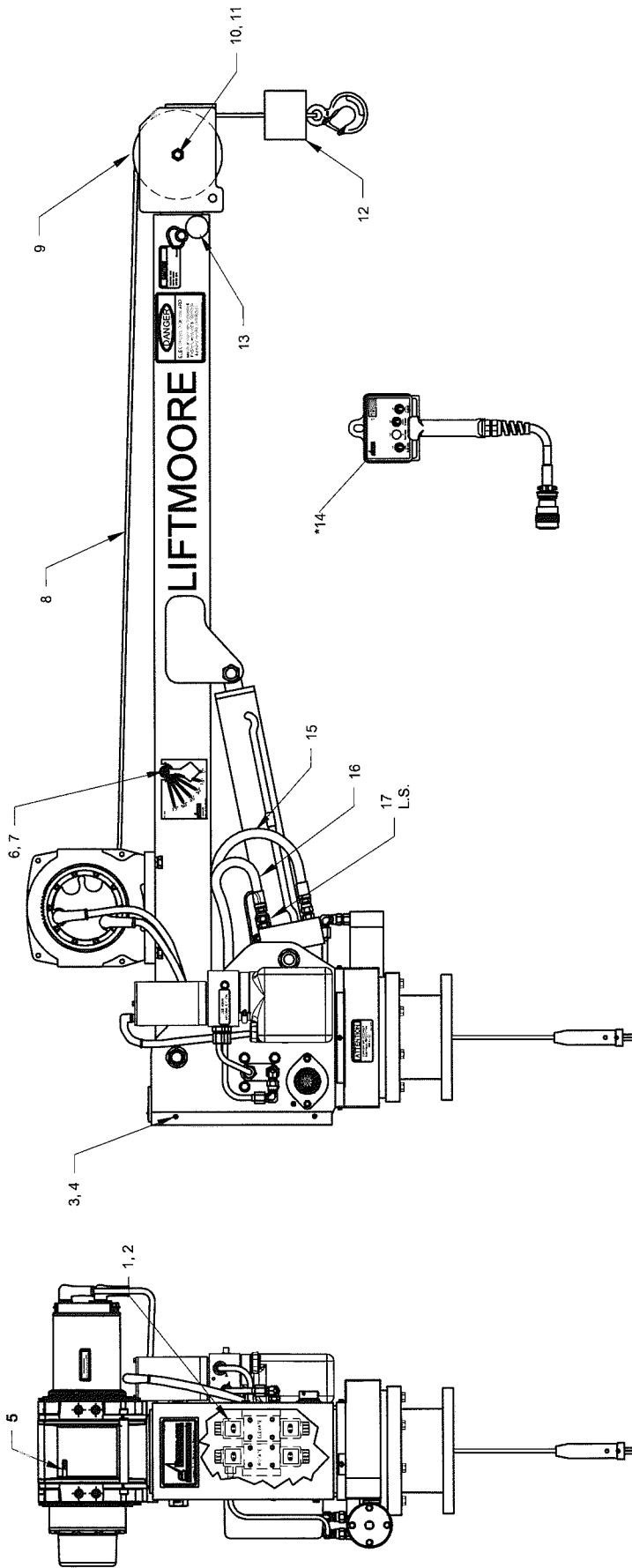
**WREL**

Items with \* have detailed DWG's.

P/N 23888 - BOX, CRANE PARTS 206WREL  
23872 WINCH

- 1) P/N 23889 - MANUAL, CRANE 206WREL.....1pc
- 2) P/N 33021 - WIRE, BATTERY #1 X 25' W/MECON.....1pc
- 3) P/N 30728 - WIRE, GROUND #4 X 3' LONG.....1pc
- 4) P/N 30760 - PIN, HITCH 0.75 X 4.50 W/H-PIN.....1pc
- 5) P/N 30815 - SCREW, HHC 0.50-13 X 2.50 GR8.....4pcs
- 6) P/N 30474 - WASHER, LOCK 0.50 GR5 PLATED.....4pcs
- 7) P/N 31957 - NUT, HEX 0.50-13 GR8 PLATED.....4pcs
- 8) P/N 16878 - BREAKER, CIRCUIT 150 AMP.....1pc
- 9) P/N 16915 - TERMINAL, LUG #1 GA 0.25 DIA.....2pcs
- 10) P/N 30766 - SWITCH, DISCONNECT.....1pc
- 11) P/N 17010 - BRACKET, SWITCH MNT. ELE. CRN.....1pc
- 12) P/N 17063 - TERMINAL, LUG #1 GA 0.37 DIA.....2pcs
- 13) P/N MH\*03171 - CAP, BREATHER 3/8 NPT-MONARCH.....1pc
- 14) P/N 17181 - SCREW, HHC 0.62-11 X 2.75 GR8.....4pcs
- 15) P/N 34038 - NUT, HEX 0.62-11 GR8 PLATED .....4pcs
- 16) P/N 31461 - WASHER, LOCK 0.62 GR5 PLATED.....4pcs
- 17) P/N 31054 - WASHER, FLAT 0.62 SAE GR8.....4pcs
- 18) P/N 22571 - INSTALLATION INTS. 206.....1pc
- 19) P/N 22373 - DECAL, LOAD CAPACITY 206 .....1pc

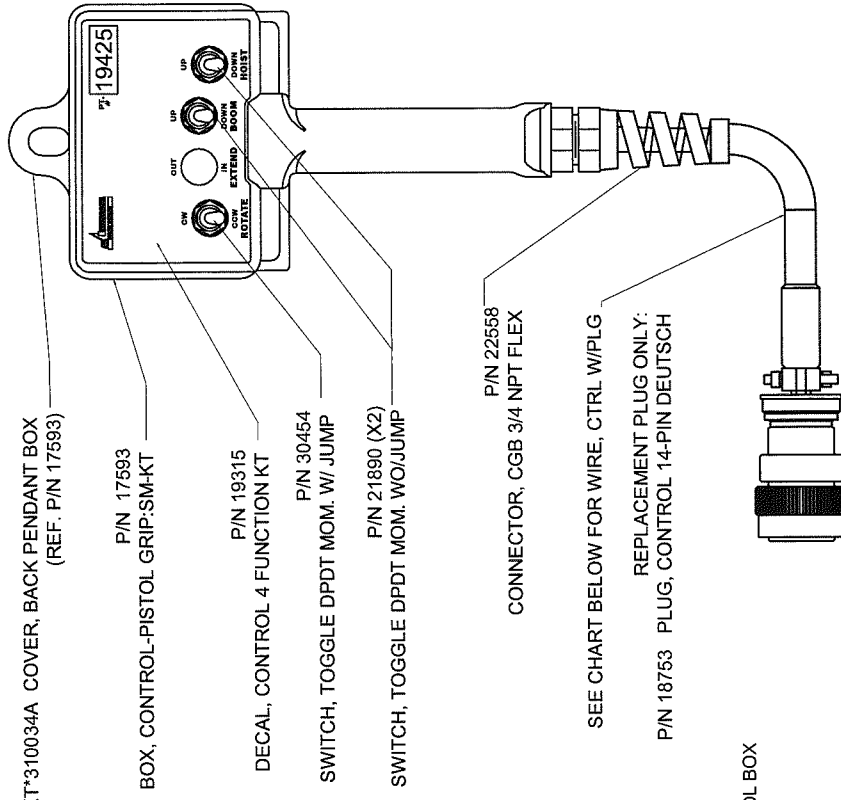
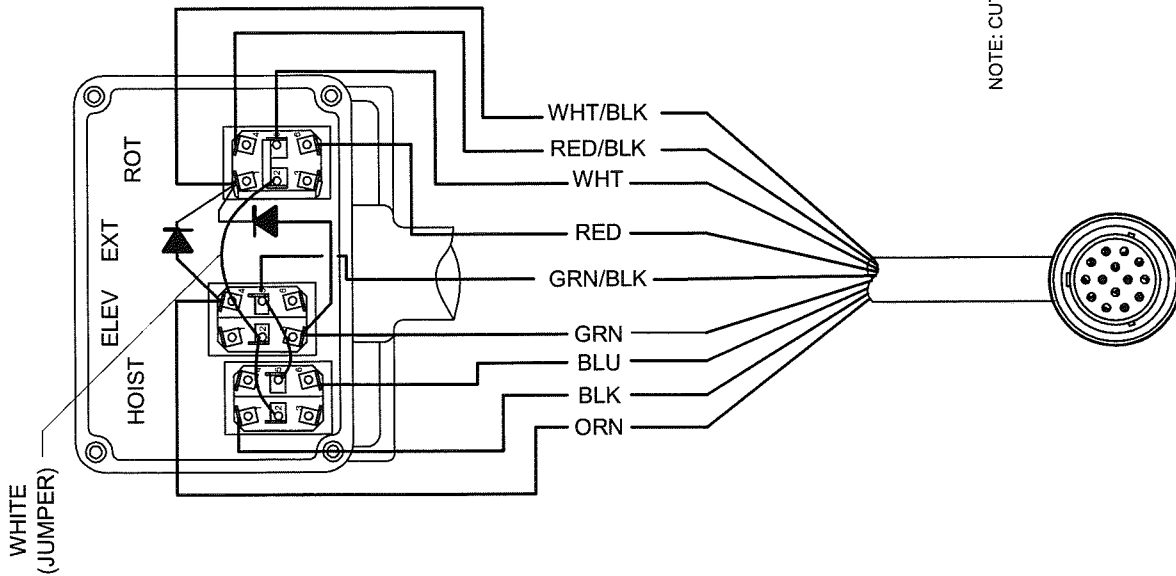
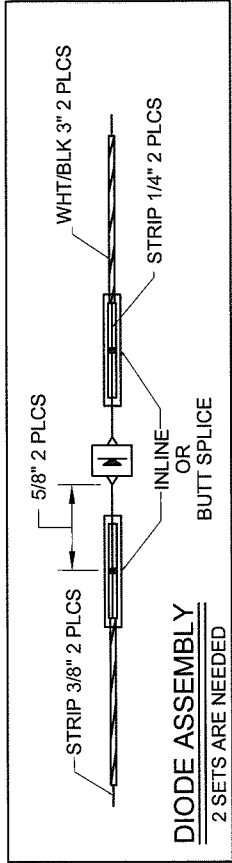




ITEMS WITH \* HAVE DETAIL DRAWINGS

#	PN	DESCRIPTION	QTY	#	PN	DESCRIPTION	QTY	#	PN	DESCRIPTION	QTY
1	19225	VALVE ASSY 4W/3P/12/VTC	2	9	19628	SHEAVE ASSY 5.90PD X 0.25 ROPE	1	17	17118	SWITCH, PRES ASSY SET@ 2050PSI	1
2	30871	SCREW, SOC HD 10-24 X 1.25	8	10	32660	SCREW, HHC 0.50-13 X 2.50 GR8	1			NOT SHOWN:	
3	19405	COVER, BACK 206	1	11	30835	NUT, HEX NYLOC 0.50-13 GRADE 5	1			19462	PLATE, SERIAL 206
4	32589	SCREW, HWHSMS 0.25-20 X 0.75	4	12	30213	PICKLE (WEIGHT)	1			19449	DECAL KIT 206
5	70022	WEDGE, WIRE ROPE ANCHOR	1	13	31036	STOP, BOOM INNER ASSY STD.	1				
6	22394	PENDULUM, LOAD RADIUS DIA. HD	2	14	19425	CONTROL, PENDANT 206REL LS	1				
7	31017	SCREW, SHOULDER 0.31-18 X 0.75	2	15	19503	HOSE, HYD #4 24.50"	1				
8	31220	ROPE, WIRE 0.25 X 62' W/THB&HK	1	16	19502	HOSE, HYD #4 26.50" 45°-ST	1				

	Houston TX (713)-688-5533 www.liftmoore.com	CRANE ASSY 206WREL W/ WINCH P/N 23872	DRAWING NO. <b>23887-0</b>
	DRWN BY: IS DATE: 7/26/10		



PIN LOCATION	WIRE FUNCTION	WIRE COLOR
E	POWER	WHT
F	ROATION CW	RED
G	ELEV UP	GRN
H	ELEV DWN	ORN
J	HOIST UP	BLU
K	PUMP SOLIN.	WHT/BLK
L	ROTATION CCW	RED/BLK
M	PRESS SWITCH	GRN/BLK
P	HOIST DOWN	BLK

NOTE: CUT OFF ORN/BLK @ END OF CABLE INSIDE CONTROL BOX

KT\*310034A COVER, BACK PENDANT BOX (REF. P/N 17593)

P/N 17593  
BOX, CONTROL-PISTOL GRIP-SM-KT

P/N 19315  
DECAL, CONTROL 4 FUNCTION KT

P/N 30454  
SWITCH, TOGGLE DPDT MOM. W/ JUMP

P/N 21890 (X2)  
SWITCH, TOGGLE DPDT MOM. WO/JUMP

P/N 22558  
CONNECTOR, CGB 3/4 NPT FLEX

SEE CHART BELOW FOR WIRE, CTRL. W/PLG  
REPLACEMENT PLUG ONLY:  
P/N 18753 PLUG, CONTROL 14-PIN DEUTSCH

FOR "19425" PENDANT	FOR "20113" PENDANT
18985 - WIRE, CTRL W/PLG 14P/9W 18' LS	22793 - WIRE, CTRL W/PLG 14P/9W 25' LS

Houston TX  
(713)-688-5533  
www.liftmoore.com



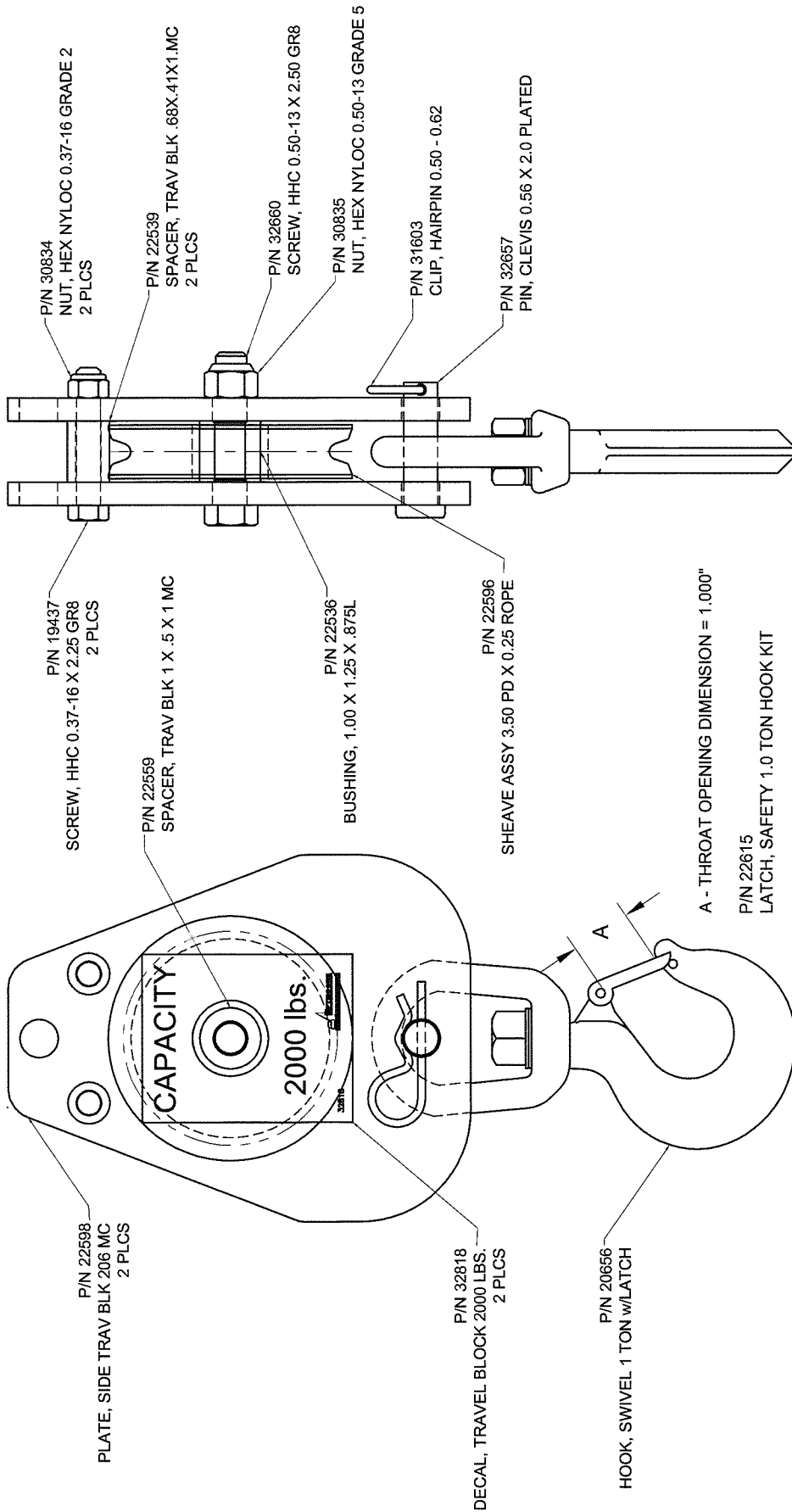
DRWN BY: JC

DATE: 01/29/09

**CONTROL, PENDANT 206REL LS**  
18' & 25'

DRAWING NO.

**50723-A**



**CAUTION:**

NEVER USE A HOOK WHOSE THROAT OPENING HAS BEEN INCREASED, OR WHOSE TIP HAS BEEN BENT MORE THAN 10 DEGREES OUT OF PLANE FROM THE HOOK BODY, OR IS IN ANY WAY DISTORTED OR BENT.

Houston TX  
 (713)-688-5533  
 www.liftmoore.com



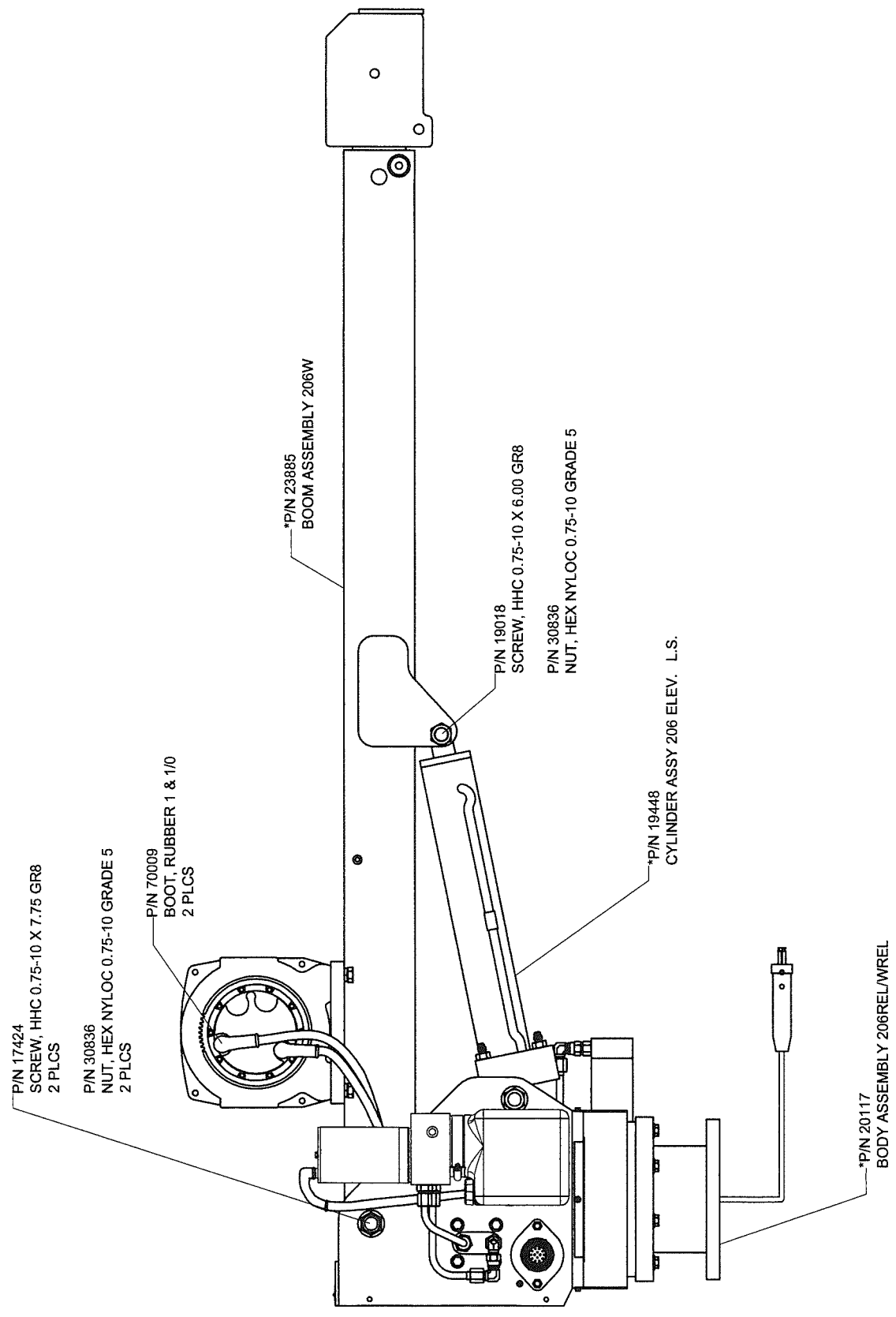
**BLOCK, TRAV ASSY 2.0K LBS/4.0D**  
 3.50 PD, .25" & .18" ROPE 2000K

DRAWING NO.

**22599-0**

DRWN BY: JC

DATE: 8/23/07



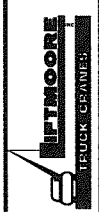
ITEMS WITH \* HAVE DETAIL DRAWINGS

DRAWING NO.  
**23886-0**

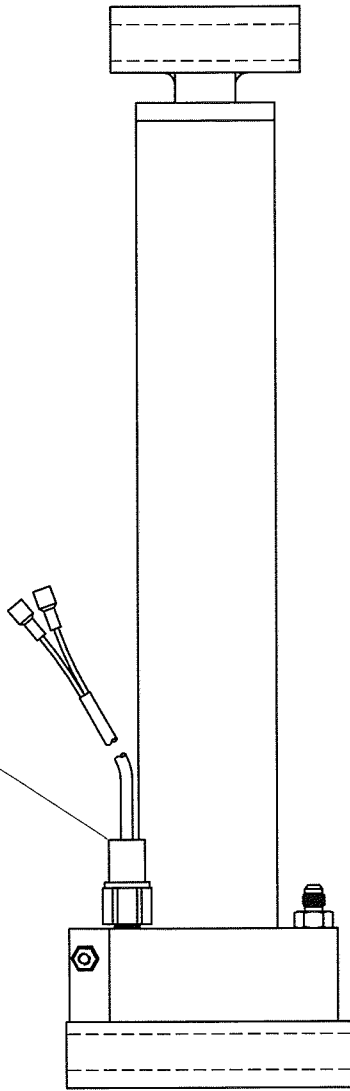
**BOOM-BODY ASSY 206WREL**  
W/ WINCH P/N 23872

DRWN BY: IS  
DATE: 7/26/10

Houston TX  
(713)-688-5533  
www.liftmoore.com

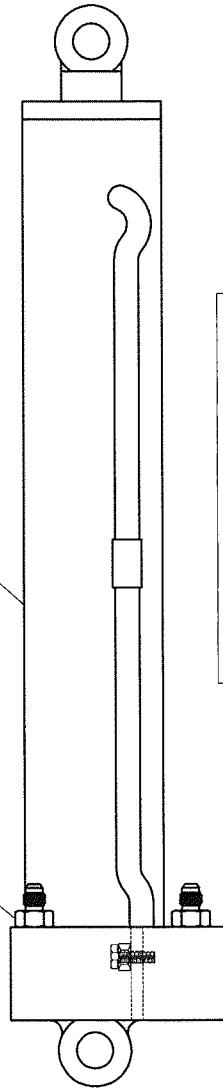


P/N 17214  
SWITCH, PRES ASSY SET@ 1550PSI  
(NOT PART OF ASSEMBLY)

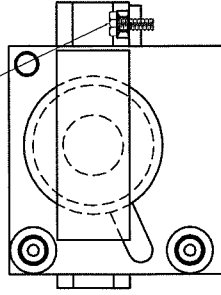


P/N 32400  
ADAPTER, 4MJ-6MO  
2 PLCS

P/N 19399  
CYLINDER, 2.5 X 13.0 X 1.25 PE



P/N 30457  
SCREW, HHC 0.25-20 X 0.75 GR5  
P/N 30830  
NUT, HEX 0.25-20 GR2 PLATED  
FOR UPLIMIT SWITCH



REPLACEMENT PARTS FOR CYLINDER	
DESCRIPTION	PART NUMBER
SEAL KIT	TM*SK-00870
COUNTERBALANCE VALVE	TM*PP-00259

Houston TX  
(713)-688-5533  
www.liftmoore.com



CYLINDER ASSY 206 ELEV. L.S.

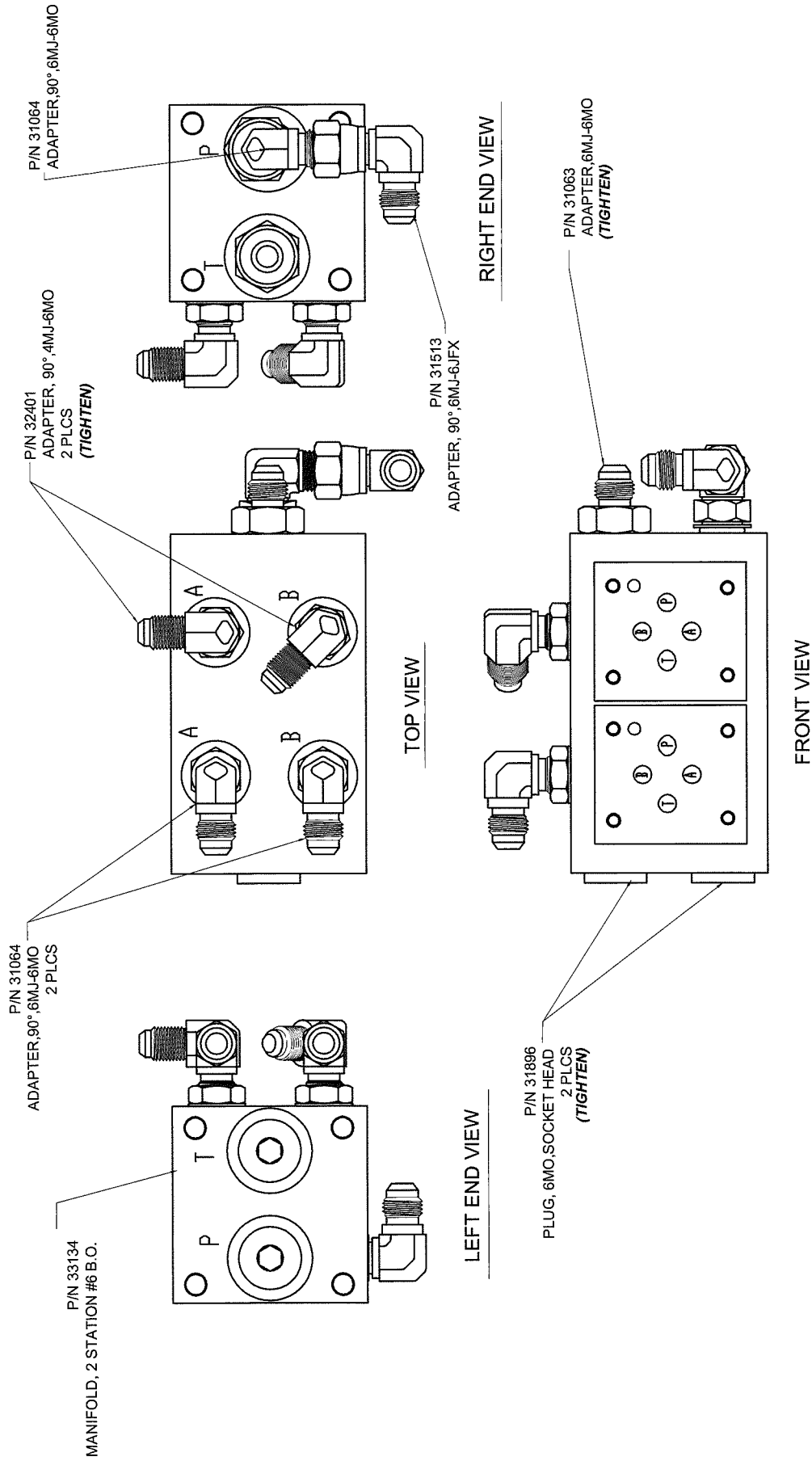
DRAWING NO.

19448-B

DRWN BY: JC

DATE: 10/02/09





DRAWING NO. 23169-0

MANIFOLD ASSY 206REL #6/#6 BO  
2 STATION

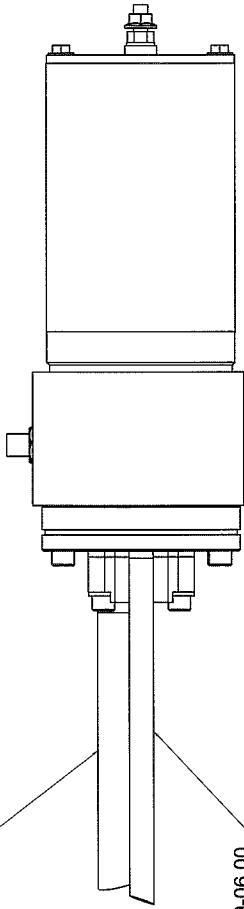
DRWN BY: JC  
DATE: 05/07/09

Houston TX  
(713)-688-5533  
www.liftmoore.com



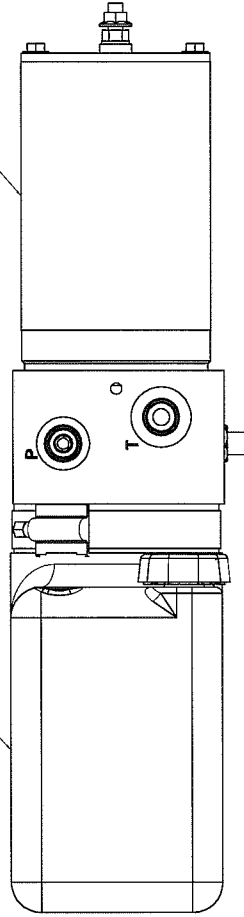


MH\*01459-05.00  
TUBE, SUCTION MONARCH PUMP

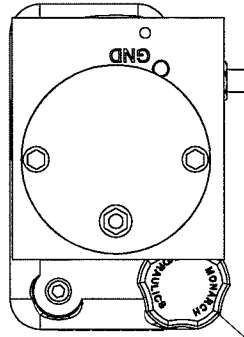


MH\*01479-06.00  
TUBE, RETURN MONARCH PUMP

MH\*06217  
RESERVOIR, PLASTIC



MH\*08053  
MOTOR, 12V PUMP MONARCH



MH\*03171  
CAP, BREATHER 3/8 NPT-MONARCH

Houston TX  
(713)-688-5533  
www.liftmoore.com



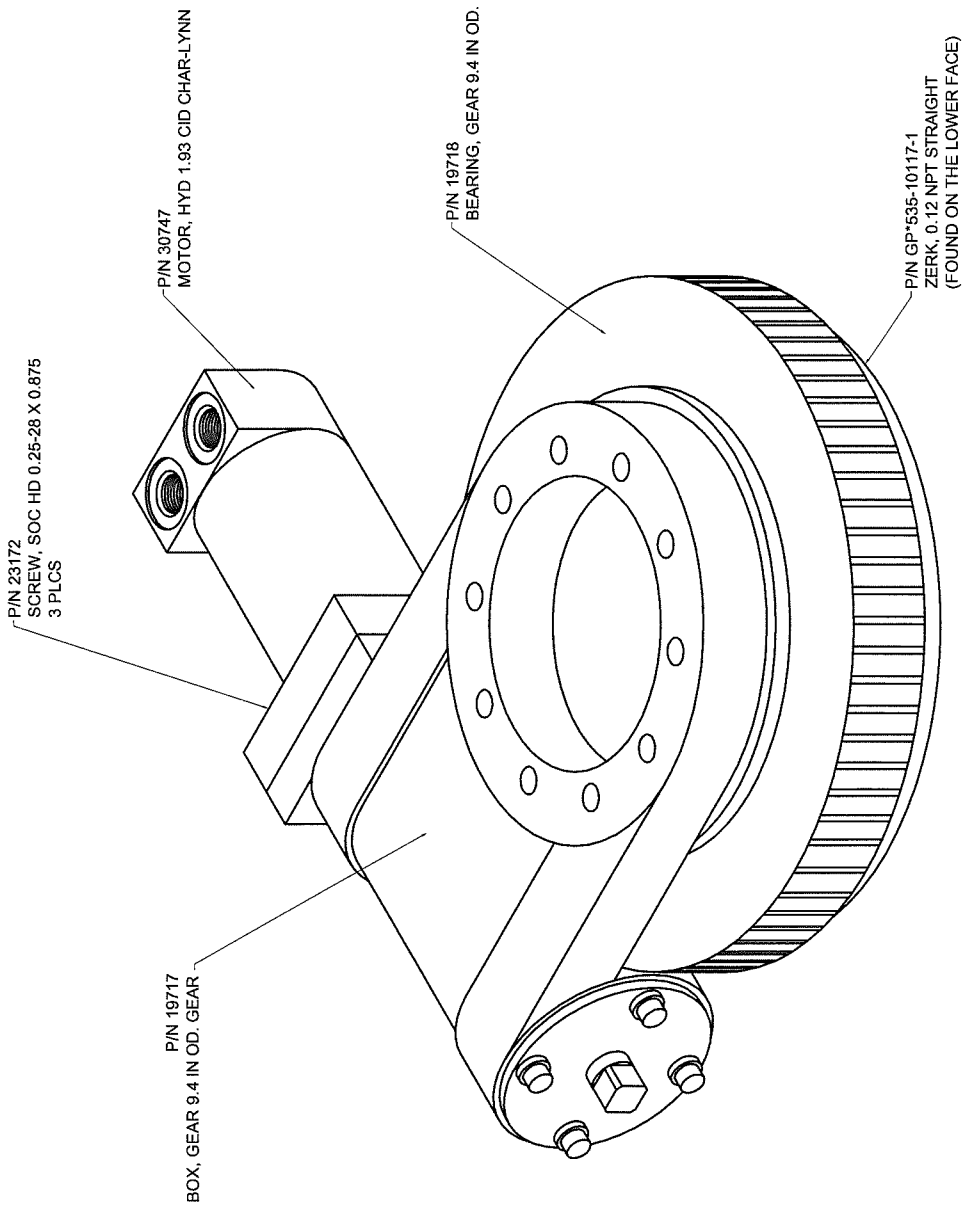
DRWN BY: TV  
DATE: 04/01/05

PUMP, HYDRAULIC 206 MONARCH

DRAWING NO.

21589-0





DRAWING NO.  
19430-B

BEARING, GEAR PRODUCTS ASSY

DRWN BY: JC
DATE: 05/14/09

Houston TX  
(713)-688-5533  
www.lif Moore.com





BY: JC  
DATE: 4/24/08

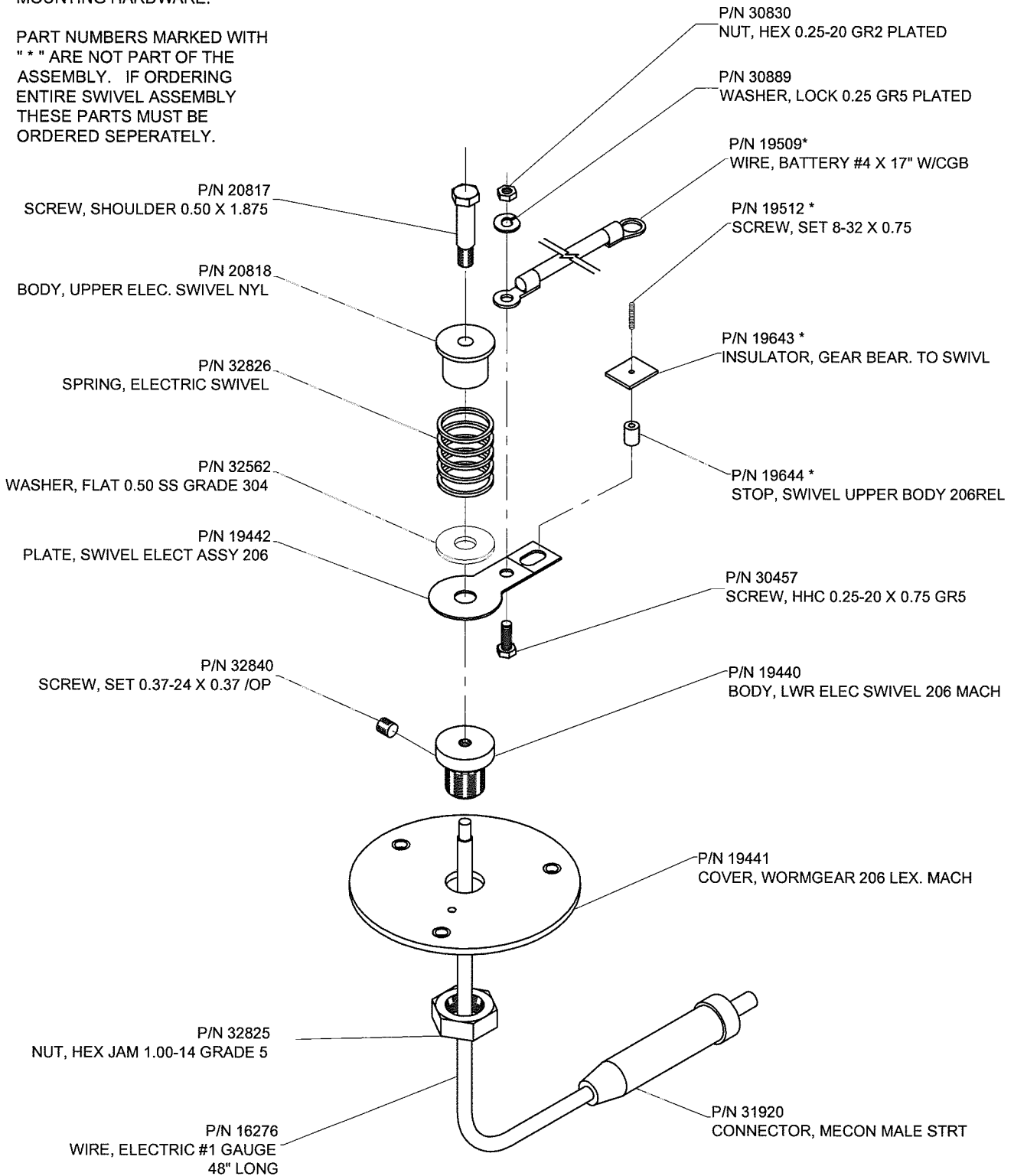
ELECTRICAL SWIVEL ASSY 206

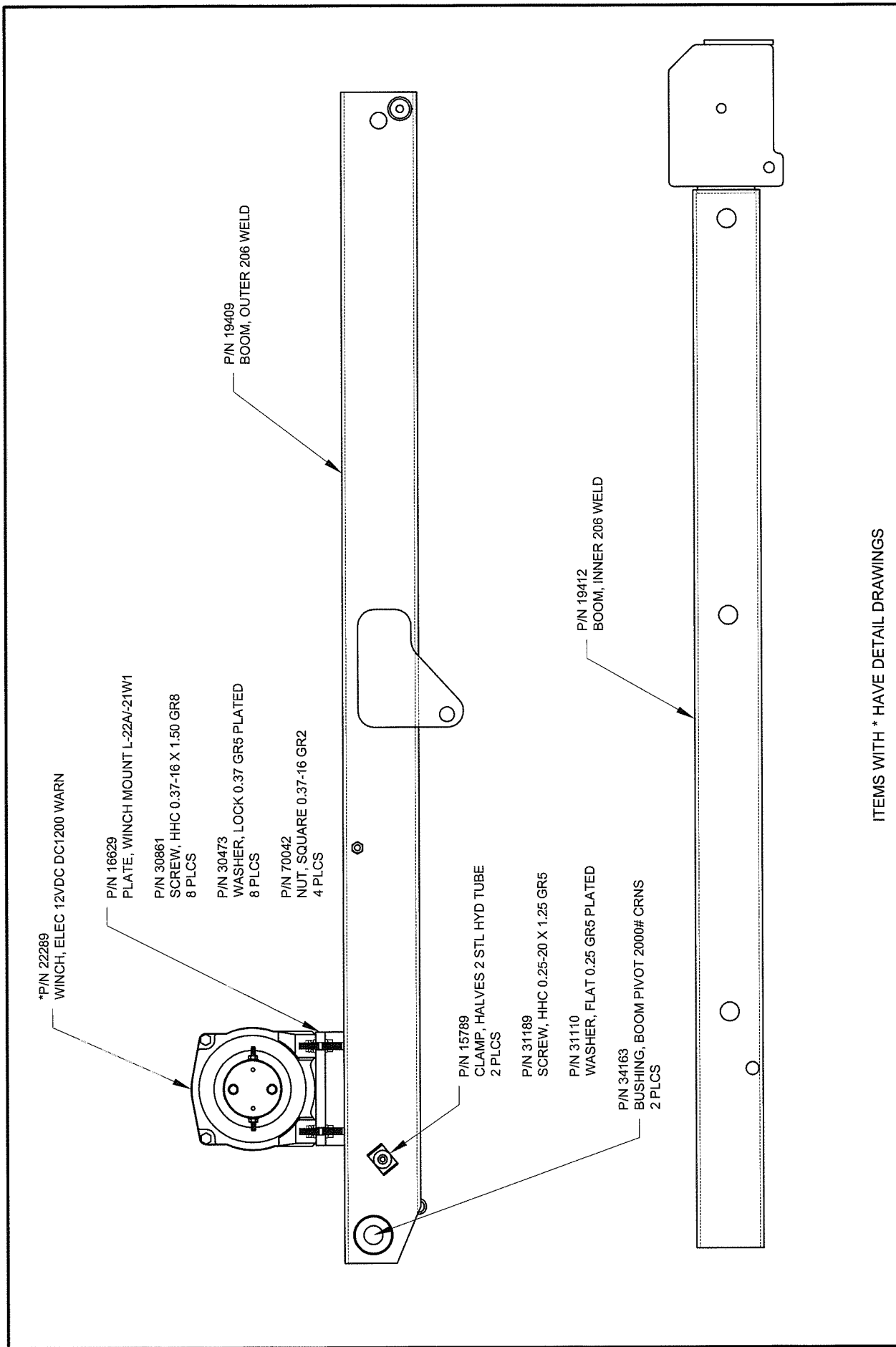
DOCUMENT NO.

50471-E

DRAWING SHOWS PARTS  
BREAK DOWN OF ELECTRIC  
SWIVEL ASSEMBLY P/N 19438 &  
MOUNTING HARDWARE.

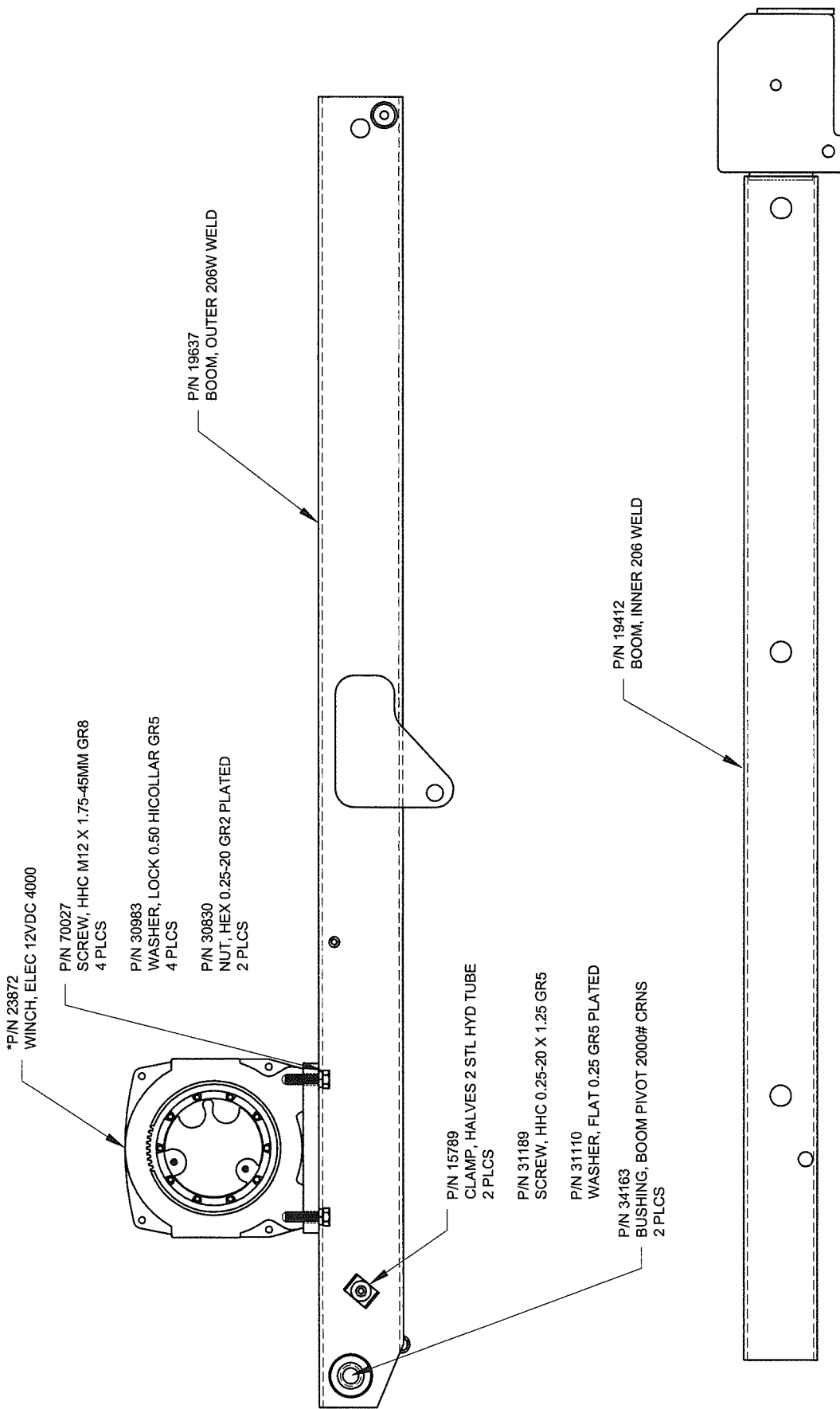
PART NUMBERS MARKED WITH  
" \* " ARE NOT PART OF THE  
ASSEMBLY. IF ORDERING  
ENTIRE SWIVEL ASSEMBLY  
THESE PARTS MUST BE  
ORDERED SEPERATELY.





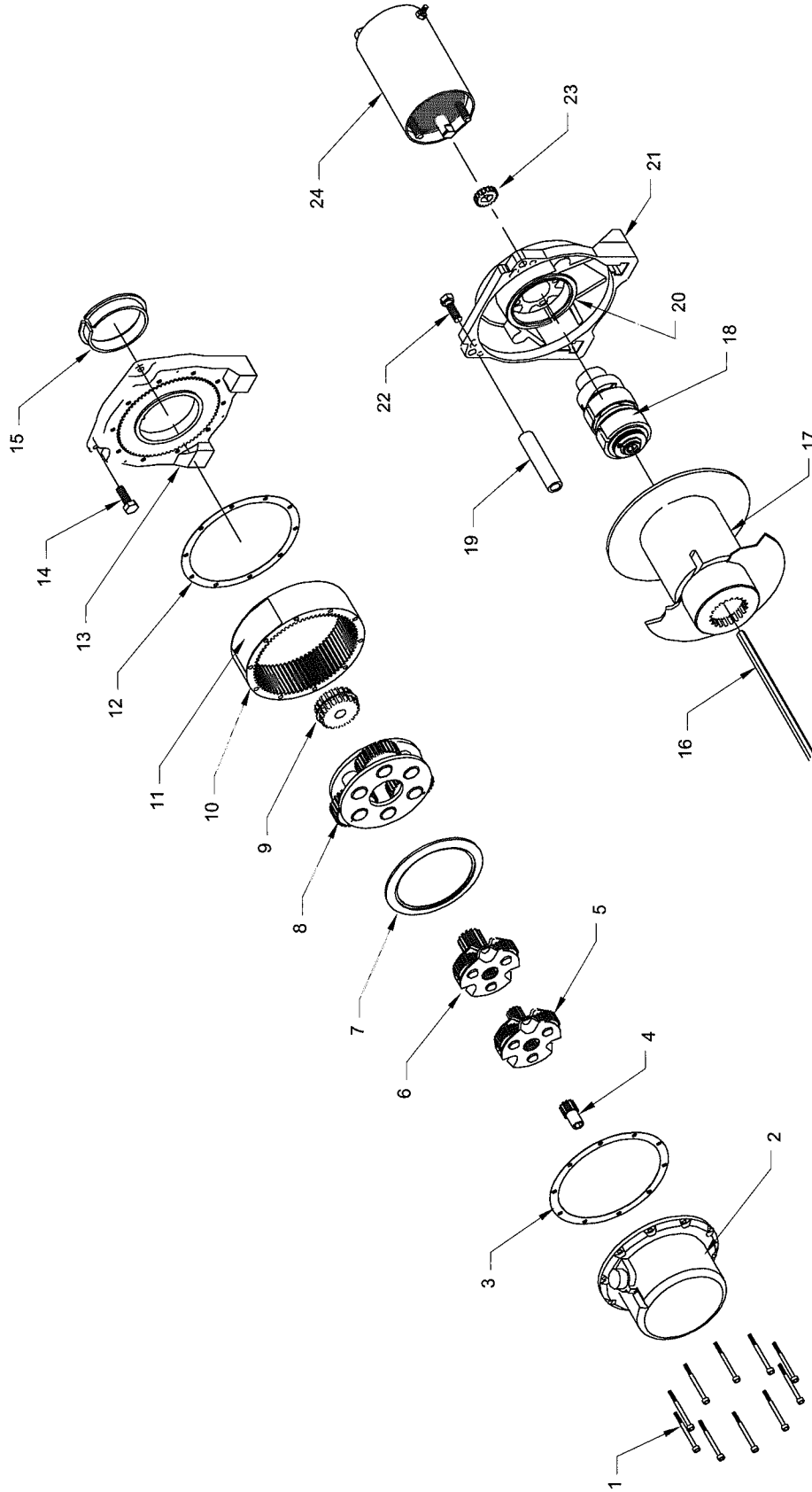
ITEMS WITH \* HAVE DETAIL DRAWINGS

	Houston TX (713)-688-5533 www.liftmoore.com	DRWN BY: JC DATE: 3/14/08	BOOM ASSEMBLY 206 WITH NEW WINCH P/N 22289	DRAWING NO. 22222-A
--	---	------------------------------	---	------------------------



ITEMS WITH \* HAVE DETAIL DRAWINGS

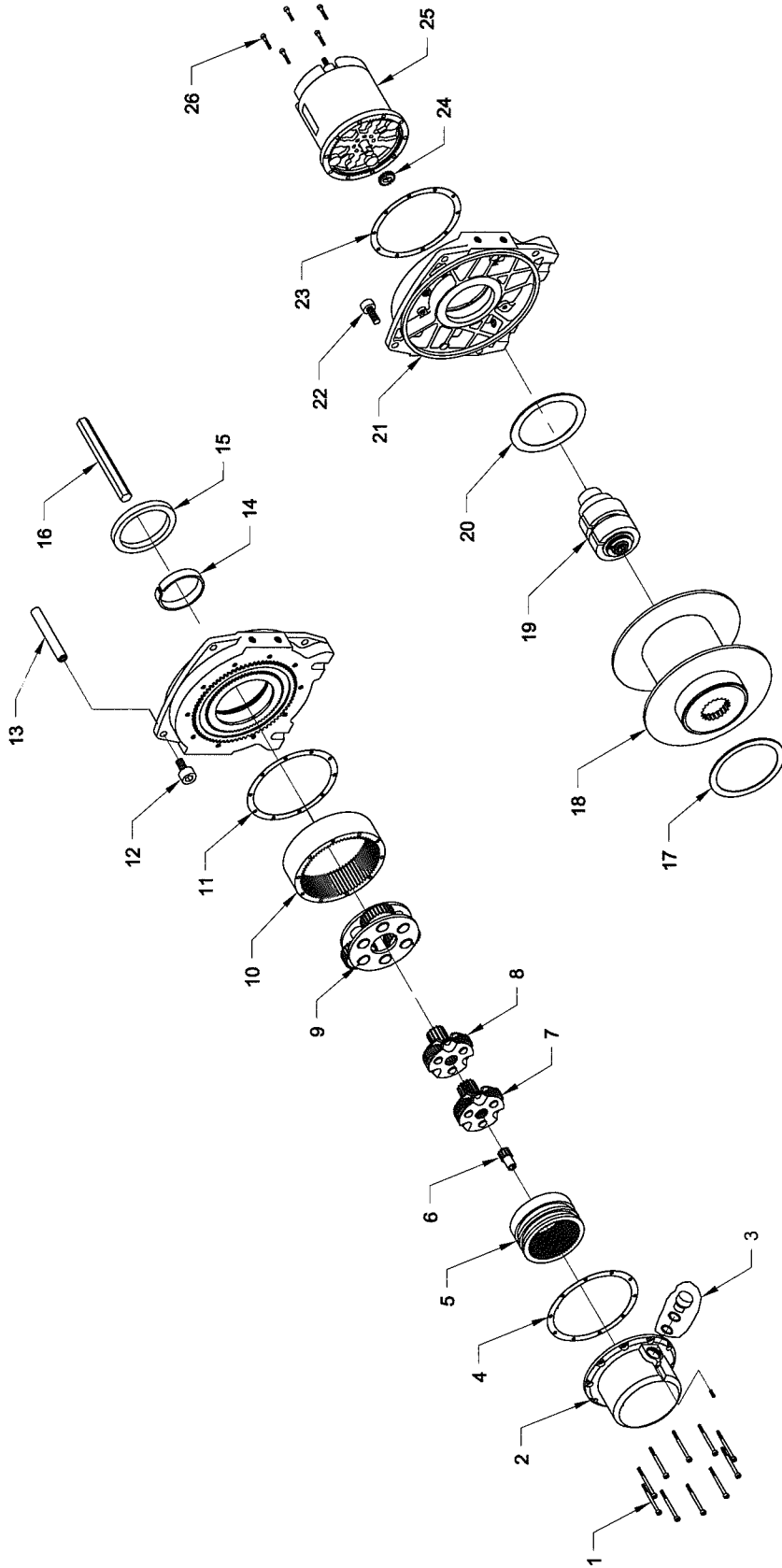
	Houston TX (713)-688-5533 www.liftmoore.com	DRWN BY: IS DATE: 7/26/10	BOOM ASSEMBLY 206W W/ WINCH P/N 23872	DRAWING NO. <b>23885-0</b>
---	---	------------------------------	--	-------------------------------



ITEMS WITH \* HAVE DETAIL DRAWINGS

#	PN	DESCRIPTION	QTY	#	PN	DESCRIPTION	QTY	#	PN	DESCRIPTION	QTY
1	WI*13850	SCREW, SOCKET HEAD	10	9	WI*13824	DRIVE SPLINE	1	17	WI*39821	DRUM ASSEMBLY DC1200	1
2	WI*60045	CLUTCH HOUSING	1	10	WI*25308	GEAR, RING BLACK 75t	1	18	WI*13799	BRAKE ASSEMBLY H2000 WINCH	1
3	WI*13848	GASKET	1	11	WI*61736	SCREW, SOCKET HEAD	1	19	WI*34478	SPACER	2
4	WI*13874	GEAR, SUN 1ST STAGE	1	12	WI*13848	GASKET	1	20	WI*13831	BUSHING, DRUM	1
5	WI*28430	CARRIER ASSY, 1ST STAGE	1	13	WI*25747	SUPPORT, DRUM/GEARTRAIN DC1200	1	21	WI*73902	ADAPTER, WINCH MOTOR MOUNT	1
6	WI*28431	CARRIER ASSY, 2ND STAGE	1	14	WI*37028	BOLT, SELF TAPPING .77	2	22	WI*37028	BOLT, SELF TAPPING .77	2
7	WI*13826	BUSHING, CARRIER	2	15	WI*13831	BUSHING, DRUM	1	23	WI*32240	GEAR, INPUT (WIDE)	1
8	WI*28432	CARRIER ASSY, 3RD STAGE	1	16	WI*39598	SHAFT	1	24	WI*74853	MOTOR, 12V WINCH WARN DC1200	1

	Houston TX (713)-688-5533 www.liftmoore.com	DRWN BY: TV DATE: 12/20/06	WINCH, ELEC 12VDC DC1200 WARN REPLACE 19378; SEE NOTE	DRAWING NO. <b>22289-A</b>



ITEMS WITH \* HAVE DETAIL DRAWINGS

#	PN	DESCRIPTION	QTY	#	PN	DESCRIPTION	QTY	#	PN	DESCRIPTION	QTY
1	WI*13850	SCREW, SOCKET HEAD	10	10	WI*25308	GEAR, RING BLACK 75t	1	19	WI*63550	BRAKE ASSY DC1600	1
2	WI*25307	HOUSING, GEAR	1	11	WI*13848	GASKET	1	20	WI*30277	WASHER, THRUST	1
3	WI*21213	CLUTCH BLOCKOUT	1	12	WI*61736	SCREW, SOCKET HEAD	3	21	WI*60043	SUPPORT, DRUM 4" BORE DC1600	1
4	WI*13848	GASKET	1	13	WI*32189	ROD, TIE/TAPPED	3	22	WI*61736	SCREW, SOCKET HEAD	3
5	WI*28353	GEAR, RING	1	14	WI*30274	BUSHING, DRUM NYLON	1	23	WI*13848	GASKET	1
6	WI*13874	GEAR, SUN 1ST STAGE	1	15	WI*30275	SEAL, OIL RADIAL	1	24	WI*32240	GEAR, INPUT (WIDE)	1
7	WI*28430	CARRIER ASSY, 1ST STAGE	1	16	WI*61843	SHAFT	1	25	WI*84211	MOTOR, 12V WINCH WARN DC1600	1
8	WI*28433	CARRIER ASSY, 2ND STAGE	1	17	WI*30277	WASHER, THRUST	1	26	WI*5553	SCREW, SOC HD 10-24 X 0.75	5
9	WI*28115	CARRIER ASSY, 3RD STAGE	1	18	WI*31619	DRUM ASSEMBLY	1				

**LIFTMOORE**  
TRUCK CRANES

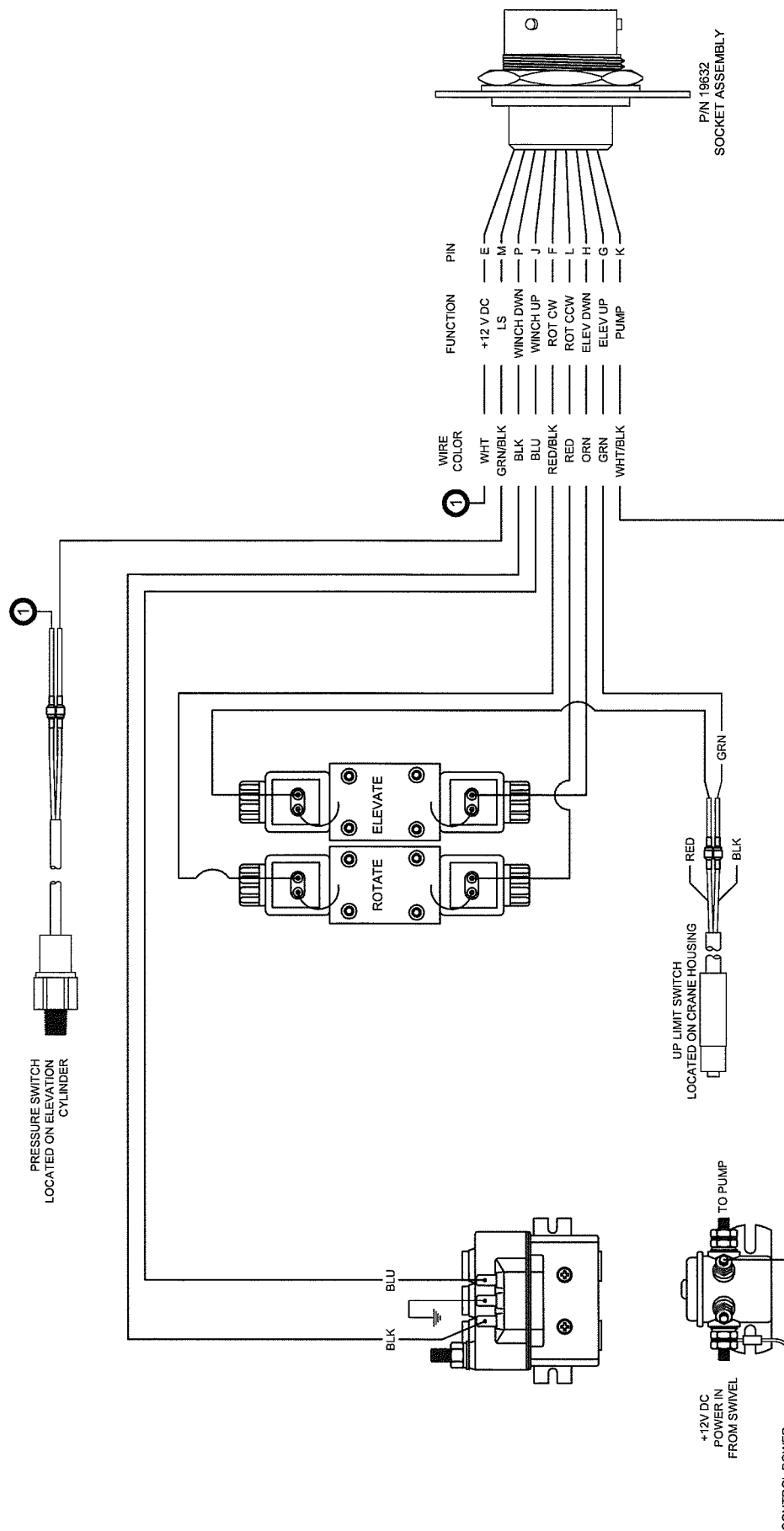
Houston TX  
(713)-688-5533  
www.liftmoore.com

DRWN BY: IS  
DATE: 7/28/10

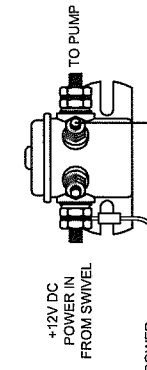
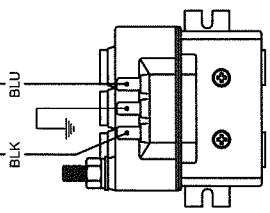
**WINCH, ELEC 12VDC 4000**  
WARN DC-2000 LF: 4.25' DRUM

DRAWING NO.  
**23872-0**





①  
PRESSURE SWITCH  
LOCATED ON ELEVATION  
CYLINDER



+12V DC  
POWER IN  
FROM SWIVEL

CONTROL POWER  
DISTRIBUTION HARNESS  
POWER TO ALL PLACES  
INDICATED BY: ①

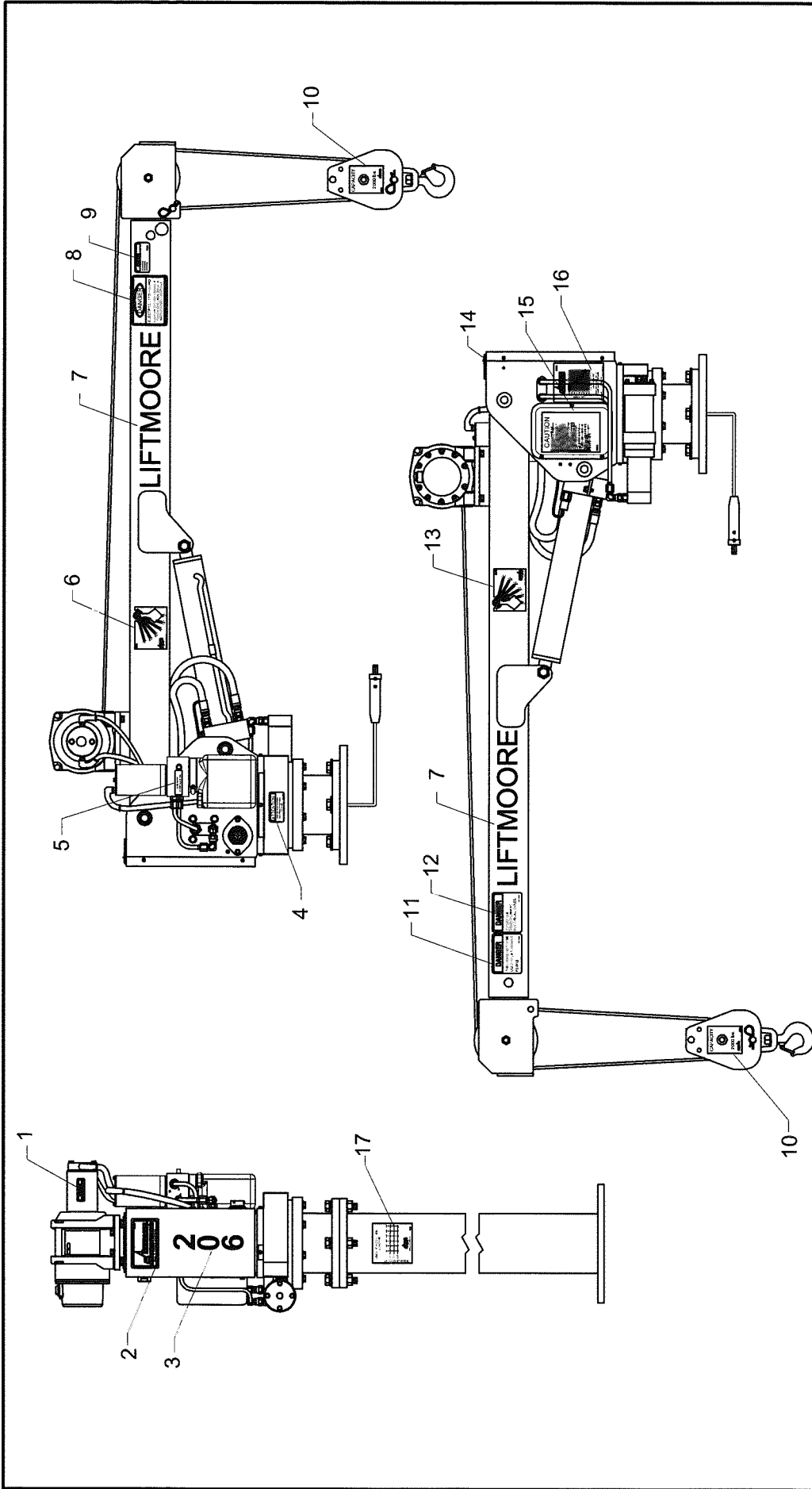
P/N 19632  
SOCKET ASSEMBLY

**SCHEM, CONTROL WIRING 206**  
LOAD SENSOR MODELS

DRAWING NO. **50469-E**

Houston, TX  
(713)-688-5533  
www.lifftmoore.com

DRWN BY: JC  
DATE: 09/03/09



#	PN	DESCRIPTION	QTY	#	PN	DESCRIPTION	QTY	#	PN	DESCRIPTION	QTY
1	32608	DECAL, MOTOR MAGNETS DAMAGE	1	7	34041	DECAL, LIFTMOORE - 2.00"	2	13	22375	DECAL, ANGLE PENDULUM LEFT	1
2	15582	DECAL, LOGO SMALL	1	8	15618	DECAL, DANGER ELECTRIC INJURY	1	14	23389	PLATE, SERIAL NO. MACH	1
3	19464	DECAL, 206	1	9	15612	DECAL, CAUTION PIN MUST BE IN	1	15	16102	DECAL, CAUTION READ MANUAL	1
4	15577	DECAL, ATTENTION BATTERY	1	10	32818	DECAL, TRAVEL BLOCK 2000 LBS.	2	16	19462	PLATE, SERIAL 206	1
5	16103	DECAL, USE 46AW HYD. OIL	1	11	32085	DECAL, LIFTING PERSONNEL	1	17	SHOWN ON TALL PEDESTAL:		
6	22376	DECAL, ANGLE PENDULUM RIGHT	1	12	15579	DECAL, DANGER CABLES	1		22373	DECAL, LOAD CAPACITY 206	1



Houston TX  
(713)-688-5533  
www.liftmoore.com

DRWN BY: JC  
DATE: 11/19/09

**DECAL DIAGRAM FOR THE**  
206REL, RELS & WREL

DRAWING NO.

**58284-B**

## **LIFTMOORE LIMITED WARRANTY**

Parts and Structural

Liftmoore, Inc. warrants each LIFTMOORE crane to be free from defects in materials and workmanship for twelve (12) months from the date of delivery to the original customer. Under the terms of this warranty the crane structural components manufactured by LIFTMOORE, Inc. are warranted for thirty-six (36) months from the date of delivery to the original customer. LIFTMOORE, Inc. will repair or replace, as its sole discretion, any equipment or part that is returned f.o.b. to LIFTMOORE, Inc.'s plant at 7810 Pinemont Drive, Houston, Texas 77040, or to one of its authorized dealers, and is found by LIFTMOORE, Inc. or its authorized dealer to have been defective at the time of original delivery.

The foregoing warranty is the exclusive warranty made by LIFTMOORE, Inc. with respect to its cranes and is in lieu of all other warranties. ANY AND ALL OTHER WARRANTIES, EXPRESS OR IMPLIED, INCLUDING ANY WARRANTY OF MERCHANTABILITY OR FITNESS OF ANY CRANE FOR A PARTICULAR PURPOSE OR OPERATION, ARE HERBY EXPRESSLY DISCLAIMED.

The foregoing warranty applies only to LIFTMOORE cranes under normal use and service and does not apply in the event of damage caused by repair or alteration or damage during shipment, accident, negligence, overloading, or misuse, including operator's failure to follow any of the instructions issued with the crane.

This warranty is limited to the original purchaser and is not assignable. In order to submit a claim, the original purchaser must provide a copy of the original invoice for the crane in question within twelve (12) months following the delivery date and within 30 days from the date of repair.

The warranty applies only when the LIFTMOORE crane is used for commercial purposes and does not cover any purchase for use for personal, family or household purposes.

**LIMITATION OF LIABILITY:** LIFTMOORE, Inc.'s liability for any losses or damages resulting from any cause whatsoever, including LIFTMOORE, Inc.'s NEGLIGENCE or from a defective crane irrespective of whether such defects are discoverable or latent, shall in no event exceed the purchase price of the crane to which losses or damages are claimed, or at the election of LIFTMOORE, Inc., the repair or replacement of the defective crane.

In no event shall LIFTMOORE, Inc. be liable for any special, incidental, or consequential damages, including commercial losses or costs of any kind sustained by purchaser or any other person or for any damages for which purchaser may be liable to other persons by reason of any defect in any LIFTMOORE crane or any part thereof.

LIFTMOORE, Inc. reserves the right to make changes in design or construction of its cranes at any time without obligating itself to make such changes on cranes previously manufactured.

No agent, employee, or representative of LIFTMOORE, Inc. has authority to amend or modify the foregoing warranty or to bind LIFTMOORE, Inc. by any other warranty, guaranty, or assumption of liability.

In the event any provision of this warranty is for any reason held ineffective, the remaining provisions shall remain in full force and effect.

Some states do not allow limitations on how long an implied warranty lasts or the exclusion or limitation of incidental or consequential damages, so the above limitations and exclusions may not apply to you. This warranty gives you specific legal rights, and you may also have other legal rights that vary from state to state.



F1442-A  
01/01/2008

HOUSTON, TEXAS  
FAX: (800) 824-5559 (USA & Canada)  
FAX: (713) 688-6324  
PHONE: (713) 688-5533  
[www.liftmoore.com](http://www.liftmoore.com)