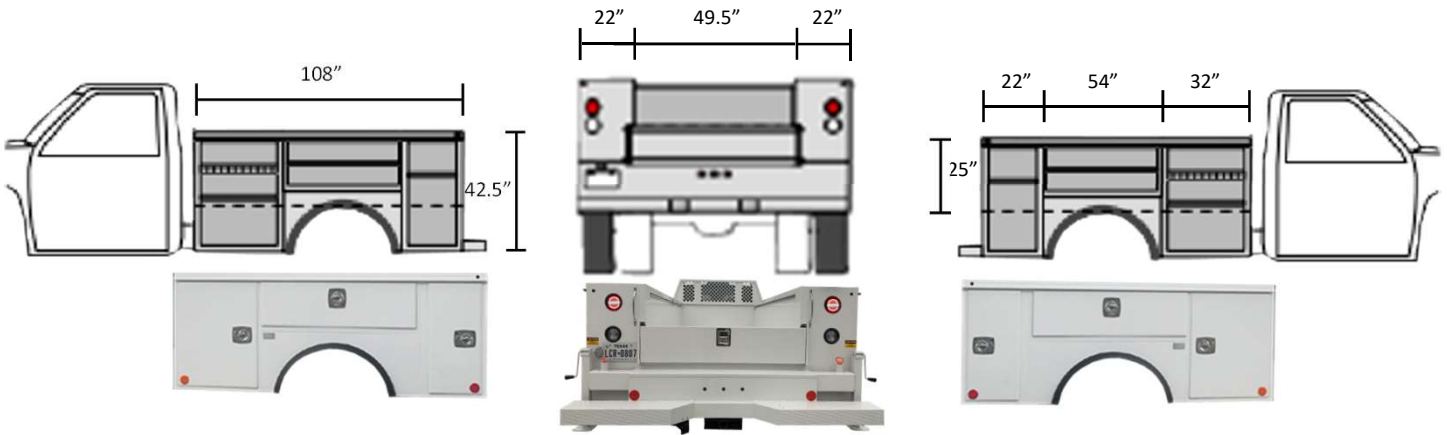




TM Series - TM4



Streetside Compartmentation

- 1st vertical - 32" wide x 42.5" high x 22" deep
 - One adjustable divider tray
 - One adjustable shelf
- Horizontal - 54" wide x 21" high x 22" deep
 - One fixed shelf - centered
- Rear vertical - 22" wide x 42.5" high x 22" deep
 - One adjustable shelf

Body Dimensions

- 108" Body length
- 49.5" Floor width
- 22" Compartment Depth
- 42.5" Compartment Height
- 25" Floor to top of compartment
- 19" Radius
- 57" UCA

Curbside Compartmentation

- 1st vertical - 32" wide x 42.5" high x 22" deep
 - One adjustable divider tray
 - One adjustable shelf
- Horizontal - 54" wide x 21" high x 22" deep
 - One fixed shelf - centered
- Rear vertical - 22" wide x 42.5" high x 22" deep
 - One reinforcement for up to 4,000 lbs. crane
 - 1/4" wrap - 5/8" top plate
 - One 5/8" plate with crane hole pattern
 - 12" square bolt pattern 9/16" holes
 - Special size light guard at rear

Construction Features

Body construction 14 Ga. Galvanneal
Six drain holes in bottoms of all compartments
Compartment tops - Smooth 12 Ga. Galvanneal
Load space walls - Smooth 14 Ga. Galvanneal
Bulkhead - 14 Ga. Galvanneal
Wheel panel - 12 Ga. Galvanneal
Fuel fill - punch for fuel fill in street side wheel panel at rear
Rubber fenders
Floor - 12 Ga. Galvanneal tread plate
 Under frame - 4" structural tubing and channel cross-members
 Two - 2" structural tubing longills
 Two - special rear mounting outrigger shear plates, 1/2"
Six - Body doors - Double panel 14 Ga. Outers and 18 Ga. Inners
 Hidden hinge / beveled edge design
 Six - Gasket - clip on
 Six - Gasket - clip on
 Six - Handles - D-Ring - 1 point stainless steel
 Four - Air assist hold open / restraints on vertical doors
 Four - Chains on horizontal doors

Accessory Features

Slam action tailgate - 12" High, double panel 14 Ga. Galvanneal
 with stainless brackets, hinge pins, and 2 point paddle handle latch
Installation of Liftmoore outriggers
Bumper - Galvanneal tread plate - 8" x full width
 Offset bumper for installation of outriggers
 Recess for pintle

Painting Requirements

Undercoating
Primer - standard epoxy - white
Optional front, sides, and bed painted
 Liftmoore fleet white
 Sherwin Williams Genesis Automotive

Lighting / Electrical Requirements

FMVSS Lighting package (full LED)
 LED Surface mount tail lights
 Combination 4 Inch LED Stop/Turn/Tail/ Strobe
 LED Surface mount backup lights
 LED Recessed clearance lights - # 33
 LED license plate light
 Reflectors - surface mounted
FMVSS lights wired in loom
Auxiliary battery (Group 31 AGM) installed
 In box, vented to outside

Distributor responsibility

Grab handles
Trailer tow package
Headache rack
Trailer plug
Drawer unit
Safety chain eyes
Tie down rails (Up-Tite)
Break-a-way loop
DEF Fill port

Air assist struts with lifetime
Replacement warranty

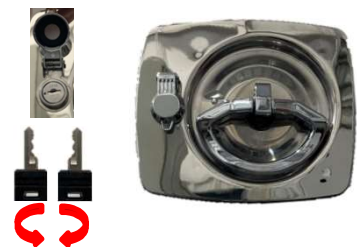


Hidden hinge system with 3-
way adjustment



Beveled edges and radius corners
on all compartment doors

Compression style D-ring handle



Reversible key-locking cylinder
with cover

Surface mount combination
LED stop/turn/tail/backup/strobe



FMVSS lighting package