

HOUSTON, TEXAS WWW.LIFTMOORE.COM
PHONE: (713) 688-5533 • FAX: (713) 688-6324
FAX: (800) 824-5559 (USA & CANADA)

Installation Instructions

Model L-15 / L-21 / L-21W Series

P/N 22797

ATTENTION!

KEEP THIS MANUAL WITH THE CRANE. OPERATION INSTRUCTIONS ARE CONTAINED IN A SEPARATE MANUAL. NEW OPERATORS SHOULD READ AND BE FAMILIAR WITH THE OPERATING INSTRUCTIONS BEFORE OPERATING THIS CRANE.

ORDER PARTS USING PART NUMBER, CRANE MODEL NUMBER AND CRANE SERIAL NUMBER TO ASSURE ACCURACY OF ORDERS.

MODEL L-15 & L-21/W INSTALLATION INSTRUCTIONS

TABLE OF CONTENTS

Crane Installation Instructions.....	FORM 1487-B.....	2
Mounting Pattern.....	DWG. 50389-B	5
Electrical Installation	DWG. 50377-B	6



MODEL L-15 & L-21/W INSTALLATION INSTRUCTIONS

Read these Instructions completely before starting the Installation.

Before installing make sure you have all necessary parts. Please refer to the Owner's manual Section 4-1 for the list of parts required for installation. Report any shortages to Liftmoore, Inc. immediately.

The mounting for this crane must be adequate for the moment rating (6,000 Ft.-Lbs.) and for the maximum load (2,000 Lbs.). Liftmoore can supply recommended installation drawings for your application if requested.

Drill four 9/16" holes in the mounting plate on a 9.5" square pattern to match the crane's base plate. Bolt the crane to the mounting structure using the 1/2" x 2-1/2" Grade 8 bolts and hex nuts supplied.

If the crane cannot be folded vertically for travel, an eyebolt or other device must be mounted on the body near the boom tip. The hook must engage the eyebolt and the wire line be secure whenever the truck is in motion.

Install the circuit breaker near the battery.

Run the No. 4 battery cable along the inside of the chassis frame to the battery's positive terminal. Leave enough cable extending outside the body to connect to the crane and allow 360-degree rotation of the crane. Use universal type or marine type terminals to secure all wiring to the battery post. Protect the cable from heat sources such as the catalytic converter exhaust manifold and muffler. Wrap electrical tape around the cable or enclose it in loom whenever it passes through the body or frame.

Use the extra ground wire supplied to connect the battery's negative post to the truck frame. Leave all original wiring as it was. This heavy ground wire is necessary to keep the crane running as efficiently as possible and so that the crane will not be grounded through the truck's wiring harness.

Insert the brake handle in the brake band and tighten securely. Do not over tighten.

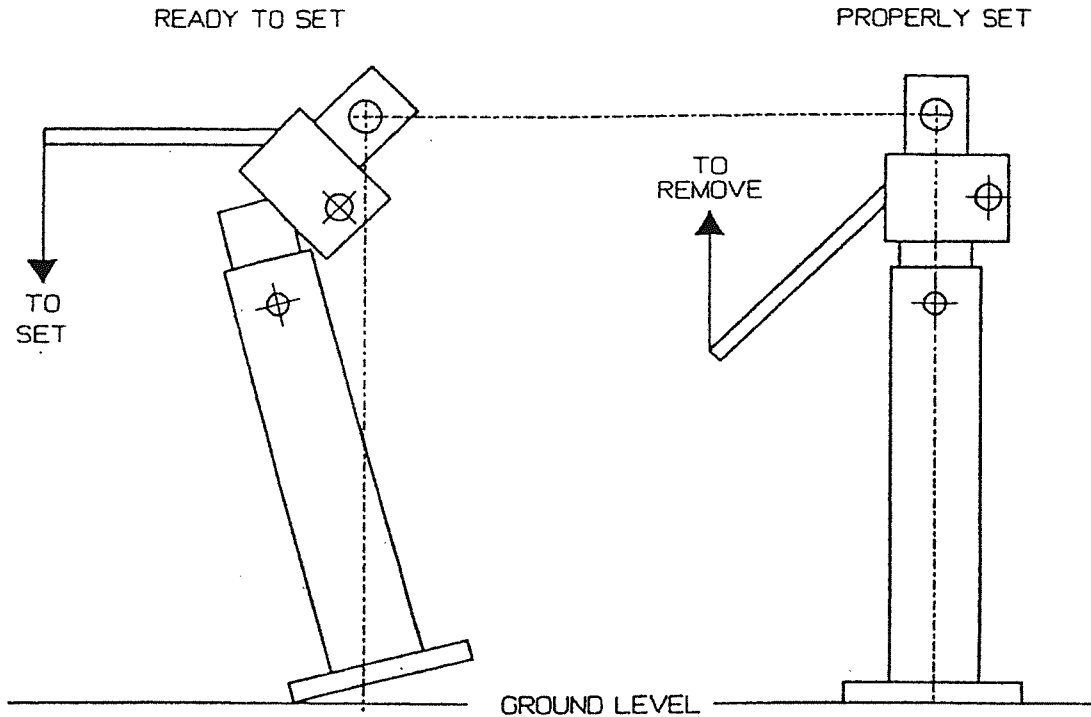
Check that boom and housing pins are in place and have hairpin keepers included.

Install a jackstand or outrigger to stabilize the truck when lifting with the crane.

The crane is now ready to use. Do not operate the crane until you have read and understand the Operating Instructions section of this manual.



INSTALLATION INSTRUCTIONS

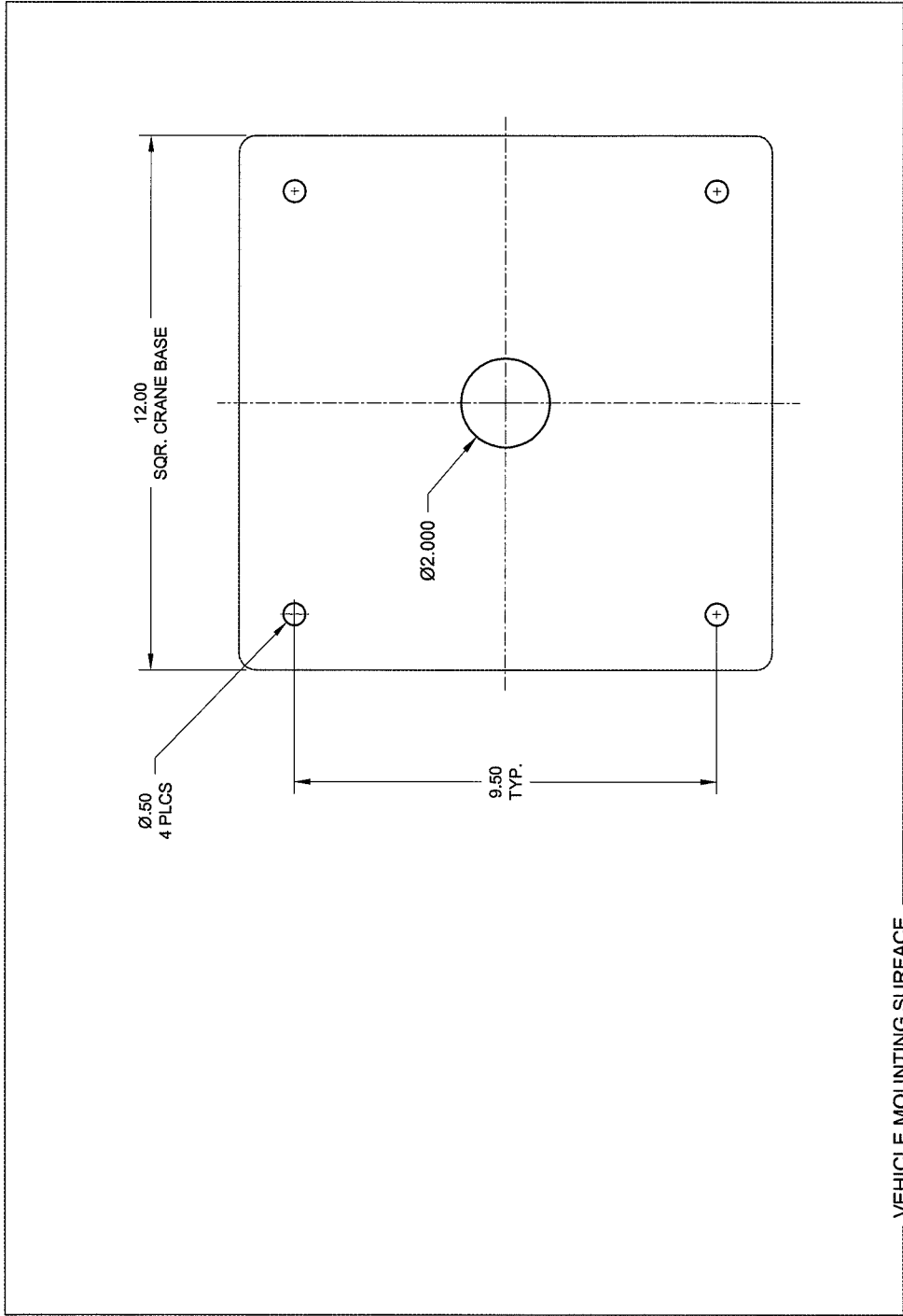


The above sketches show the overcenter jackstand when it is ready to set and when properly set. When it is set the jackstand is straight and tight against the truck suspension. Raising the truck slightly with the jackstand will hold the jackstand in a vertical position.

INSTALLATION

Mount the 1" x 4.5" long pipe supplied under the crane support with a structural tie-in to the crane mounting. This support must be able to hold the crane load plus the counterbalancing load. Use at least 4" x 5.4# structural channel for this support. The 1" pipe should project outside the body between $\frac{1}{4}$ " and $\frac{1}{2}$ " so that the jackstand will not rub against the body.





NOTE: ALL HOLES DRILLED THRU

Houston TX
(713)-688-5533
www.lifftmoore.com



DRWN BY: JC

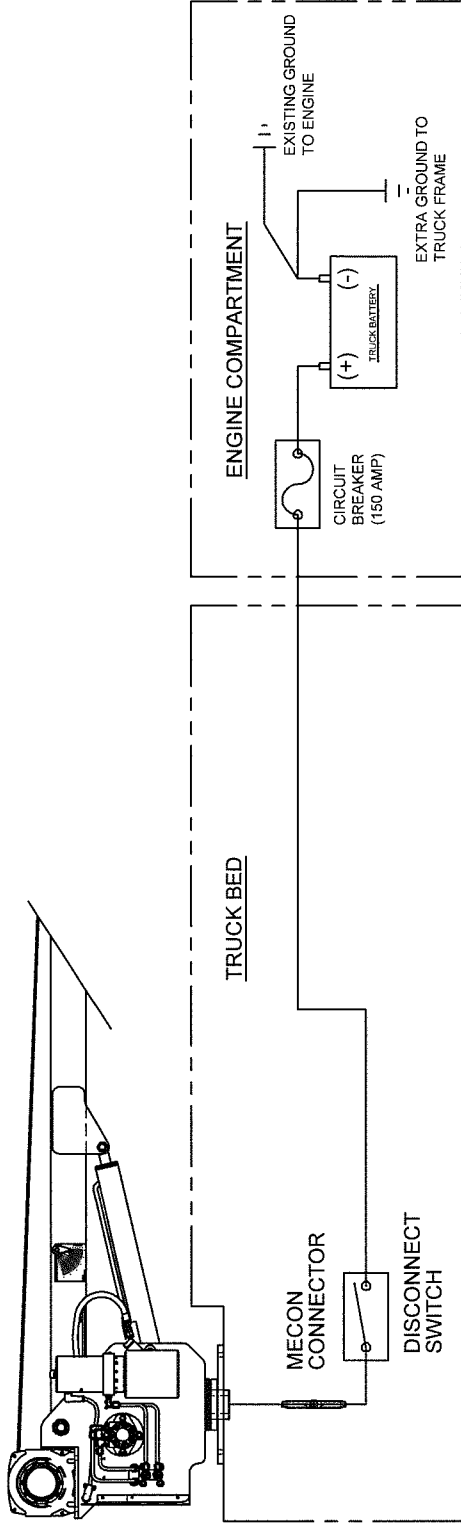
DATE: 4/23/08

PATTERN, CRANE MOUNT L-15/L-21

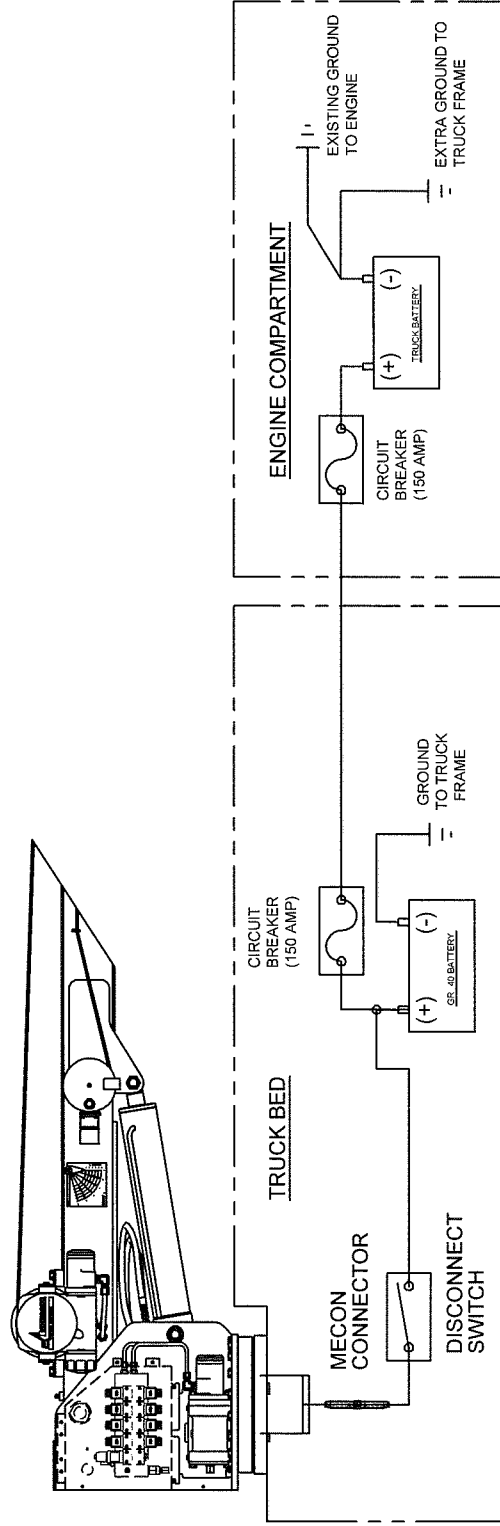
DRAWING NO.

50389-B

SUGGESTED WIRING SCHEMATIC FOR 2700AR AND SMALLER CRANE INSTALLATION:



SUGGESTED WIRING SCHEMATIC FOR 3200 AND LARGER CRANE INSTALLATION:



Houston TX
 (713)-688-5533
 www.iftmoore.com

DRWN BY: JC
 DATE: 06/03/08

SCHEM, CRANE ELEC. INSTAL-ELEC
 FOR ELECTRIC CRANES

DRAWING NO.

50377-B