

Liftmoore, Inc.

CURRENT PRODUCT LISTING

Contact Liftmoore for Special Applications & Boom Lengths
This list is comprised of our Standard Units only.

PUBLIC

Effective February 12, 2017

Index	Page 1
Terms	Page 2
12 VDC Powered Electric Cranes	Pages 3 - 23
Hydraulic Powered Cranes	Pages 24 - 33
Boom Rests - Service Body and Flat Bed	Page 34 - 35
Jackstands	Page 36
Outrigger Description & Definitions	Page 37
Outriggers - Manual In/Out Crank Up/Down	Page 38
Outriggers - Manual In/Out Hydraulic Up/Down	Page 39
Outriggers - Hydraulic In/Out - Hydraulic Up/Down	Page 40
Outriggers - Hydraulic In/Out "Curb side Only" Both Sides Hydraulic Up/Down	Page 41
Outriggers - Hydraulic (DC Powered)	Page 41
Accessories	
Pedestals	Page 42
Mounting Plates	Page 42
Hydraulic Components	Page 43
Service Tools	Page 43
Liftmoore Warranty	Page 44

Since our inception in 1961, a number of models are no longer considered current production. Please contact Liftmoore for the equivalent new models or convey your requirements for older models.

Changes to Products

Model 5000 & 6036 - Now include voltmeter, curved bail arms on the ATB, as well as location changes to the solenoids and contactor for ease of service and repair.

For hydraulic outriggers when no other hydraulic system is available, a new kit number (34198) is included on each hydraulic outrigger page for this need. This is most commonly used with a 12V DC powered crane.

Contact Liftmoore for special boom length products or other design requirements.

Notice: New OSHA Regulation regarding
Cranes 2,000 lbs. or less when used in construction
1926.1441(d)(2) & 1926.1416(d)(3)

All products above 2,000 lbs. capacity include an emergency stop,
pressure gauge, and audible signal device (horn) as required by ANSI B30.5.

Visit our website at www.liftmoore.com for specifications on the complete Liftmoore line of cranes.

Discounts and Terms

Liftmoore warrants its products for twelve (12) months from date of shipment as defined in its Limited Warranty. A copy of the warranty is at the end of this document.

12V D. C. POWERED ELECTRIC CRANES

MODEL L - 8

SPECIFICATIONS

4,500 Ft.-Lbs. Moment Rating
 Maximum Capacity 800 Lbs. at all Load Radii
 Planetary Gear Winch with Permanent Magnet Motor
 On / Off 12 Volt Electric
 Remote Pendant Control 12.5 Ft. (removable)
 Galvanized Aircraft Cable 3/16" x 25 Ft. (4,200 Lbs. Breaking Strength)
 Down haul pickle weight
 Manual Rotation 360 Degree - Tapered Roller Bearings for ease of movement
 with a Manual Band Brake to control swing
 4 Fixed Boom Elevations ranging from 0 to 75 Degrees
 Stows vertically for travel
 Boom Extension - Manual from 3 Ft. to 5 Ft.

NOTE : ANTI TWO-BLOCK NOT OFFERED ON THIS MODEL

Mounting plate is 12" square with a 9.5" square bolt pattern

INCLUDED

Battery Power Cable #4 x 25 Ft.
 Circuit Breaker, 150 Amp
 Ground Cable #4 x 3 Ft. for the factory battery to the truck frame
 Mounting Bolts Grade 8: 0.50" x 2.75" (Four)
 Recommended Installation Instructions
 Owners Manual

REQUIRED

Consistent 12 Volt DC power source with sufficient amperage while crane is running under load.
 Installer must assure the vehicle can maintain an appropriately level condition
 when the crane is in use under load.

RECOMMENDED

A dedicated battery, Group 31, deep cycle, near the crane is advised.
 Jackstand to provide stability and an appropriately level condition
 Minimum Vehicle GVWR of 6,100 Lbs.

Model / Item No.

L-8 39005	Pedestal Standard Height = 47.3" from base to point of rotation. WEIGHT: Shipping 405 lbs. Actual 240 lbs.
L-8S 39044	Pedestal is eliminated and base plate added for mounting on service body compartment top. NOTE : Boom will not fold in the vertical position for stowing WEIGHT: Shipping 395 lbs. Actual 158 lbs.

12V D. C. POWERED ELECTRIC CRANES

MODEL L-21

SPECIFICATIONS

6,000 Ft.-Lbs. Moment Rating
 Maximum Capacity 2,000 Lbs. at 3 Ft. Load radius
 Planetary Gear Winch with Permanent Magnet Motor
 On / Off 12 Volt Electric
 Remote Pendant Control 12.5 Ft. (removable)
 Galvanized Aircraft Cable 3/16" x 25 Ft. (4,200 Lbs. Breaking Strength)
 Travel Block w/swivel hook, for easy two part line hook up
 Manual Rotation 360 Degree - Tapered Roller Bearings for ease of movement
 with a Manual Band Brake to control swing
 Boom Elevation - Manual at two positions, 20 and 45 Degrees, stows vertically for travel
 Boom Extension - Manual from 3 Ft. to 5 Ft., optional to 7 Ft.
 Optional Anti-Two Block System, needed when used in construction as per
 OSHA 1926.1441(d)(2) & 1926.1416(d)(3)
 Mounting plate is 12" square with a 9.5" square bolt pattern

INCLUDED

Battery Power Cable #4 x 25 Ft.
 Circuit Breaker, 150 Amp
 Ground Cable #4 x 3 Ft. for the factory battery to the truck frame
 Mounting Bolts Grade 8: 0.50" x 2.75" (Four)
 Recommended Installation Instructions
 Owners Manual

REQUIRED

Consistent 12 Volt DC power source with sufficient amperage while crane is running under load.
 Installer must assure the vehicle can maintain an appropriately level condition
 when the crane is in use under load.

RECOMMENDED

A dedicated battery, Group 31, deep cycle, near the crane is advised.
 Jackstand to provide stability and an appropriately level condition
 Minimum Recommended Vehicle GVWR 6,100 lbs.

Model / Item No.

L-21 38994	Pedestal Standard Height = 42.625" from base to point of rotation. Boom length 3' to 5', Manually Extended. ANTI TWO-BLOCK is not offered for Model L-21 WEIGHT: Shipping 450 lbs. Actual 265 lbs.
L-21S 38988	Same as L-21 except pedestal is eliminated & base plate added for mounting on service body compartment top. (boom does not fold for travel) ANTI TWO-BLOCK is not offered for Model L-21S WEIGHT: Shipping 450 lbs. Actual 220 lbs.
L-21-7 ATB 39379	Includes ATB, needed when crane is used in construction as per 1926.1441(d)(2) & 1926.1416(d)(3) Pedestal Standard Height = 42.625" from base to point of rotation. WEIGHT: Shipping 450 lbs. Actual 300 lbs.
L-21S-7 ATB 39378	Same as L-21-7 ATB except pedestal is eliminated & base plate added for mounting on service body compartment top. (boom does not fold for travel) WEIGHT: Shipping 330 lbs. Actual 231 lbs.
OPTION:	Remove Anti Two-Block on L-21S-7 (38991) or L-21-7 (38995)

12V D. C. POWERED ELECTRIC CRANES

MODEL L-21W

SPECIFICATIONS

6,000 Ft.-Lbs. Moment Rating
 Maximum Capacity 2,000 Lbs. at 3 Ft. Load radius
 Planetary Gear Winch with 2.7 HP Permanent Magnet Motor: 2,000 lb. single line capacity
 On / Off 12 Volt Electric
 Remote Pendant Control 12.5 Ft. (removable)
 Galvanized Aircraft Cable 1/4" x 62 Ft. w/ Swivel Hook (7,000 Lbs. Breaking Strength)
 Down haul pickle weight
 Manual Rotation 360 Degree - Tapered Roller Bearings for ease of movement
 with a Manual Band Brake to control swing
 Boom Elevation - Manual at two positions, 20 and 45 Degrees
 Stows vertically for travel
 Boom Extension - Manual from 3 Ft. to 7 Ft.
 Includes ATB, needed when crane is used in construction as per 1926.1441(d)(2) & 1926.1416(d)(3)
 Mounting plate is 12" square with a 9.5" square bolt pattern.

INCLUDED

Battery Power Cable #4 x 25 Ft.
 Circuit Breaker, 150 Amp
 Ground Cable #4 x 3 Ft. for the factory battery to the truck frame
 Mounting Bolts Grade 8: 0.50" x 2.75" (Four)
 Recommended Installation Instructions
 Owners Manual

REQUIRED

Consistent 12 Volt DC power source with sufficient amperage while crane is running under load.
 Installer must assure the vehicle can maintain an appropriately level condition
 when the crane is in use under load.

RECOMMENDED

A dedicated battery, Group 31, deep cycle, near the crane is advised.
 Jackstand to provide stability and an appropriately level condition
 Minimum Recommended Vehicle GVWR 6,100 lbs.

Model / Item No.

L-21W-7 ATB 39314	Includes ATB, needed when crane is used in construction as per 1926.1441(d)(2) & 1926.1416(d)(3) WEIGHT: Shipping 520 lbs. Actual 325 lbs.
L-21WS-7 ATB 39391	Same as L-21W-7 ATB except Pedestal is eliminated & base plate added for mounting on service body compartment top. (boom does not fold for travel) WEIGHT: Shipping 525 lbs. Actual 318 lbs.

12V D. C. POWERED ELECTRIC CRANES

MODEL 206EL

SPECIFICATIONS

6,500 Ft.-Lbs. Moment Rating
 Maximum Capacity 2,000 Lbs. at 3.25 Ft. Load radius
 Planetary Gear Winch with Permanent Magnet Motor
 On / Off 12 Volt Electric
 Remote Pendant Control 18 Ft. (removable)
 Galvanized Aircraft Cable 3/16" x 35 Ft. (4,200 Lbs. Breaking Strength)
 Travel Block w/ swivel hook, for easy two part line hook up
 Manual Rotation 360 Degree - Tapered Roller Bearings for ease of movement
 with a Manual Band Brake to control swing
 Boom Elevation - Full Power (0 Deg. to 75 Deg.)
 Boom Extension - Manual from 5.5 Ft. to 9 Ft.
 Overload Protection System

NOTE : ANTI TWO-BLOCK NOT OFFERED ON THIS MODEL

Mounting plate is 12" square with a 9.5" square bolt pattern.

INCLUDED

Battery Power Cable #4 x 25 Ft.
 Circuit Breaker, 150 Amp
 Ground Cable #4 x 3 Ft. for the factory battery to the truck frame
 Mounting Bolts Grade 8: 0.50" x 2.75" (Four)
 Recommended Installation Instructions
 Owners Manual

REQUIRED

Consistent 12 Volt DC power source with sufficient amperage while crane is running under load.
 Installer must assure the vehicle can maintain an appropriately level condition
 when the crane is in use under load.
 Boom Rest (P.N. 27860 for service body or P.N. 22158 for flat bed)

RECOMMENDED

A dedicated battery, Group 31, deep cycle, near the crane is advised.
 Jackstand to provide stability and an appropriately level condition
 Minimum Recommended Vehicle GVWR 8,600 lbs.

Model / Item No.

206EL VH 38880	Lower Pedestal Height standard at 22.75" - can be variable height No Anti Two-Block offered for Model 206EL WEIGHT: Shipping 430 lbs. Actual 386 lbs.
206ELS 38869	Same as 206EL except pedestal is eliminated and base plate added for mounting on service body compartment top No Anti Two-Block offered for Model 206ELS WEIGHT: Shipping 395 lbs. Actual 353 lbs.
206ELW VH 39393	Lower Pedestal Height standard at 22.75" - can be variable height Planetary Gear Winch with 2.7 HP Permanent Magnet Motor: 2,000 lb. single line capacity 62 Ft. of 1/4" wire rope w/swivel hook (7,000 Lbs. Capacity Breaking Strength) Travel block replaced with down haul pickle weight. No Anti Two-Block offered for Model 206ELW WEIGHT: Shipping 520 lbs. Actual 405 lbs.
206ELWS 39136	Same as 206ELW except pedestal is eliminated and base plate added for mounting on service body compartment top No Anti Two-Block offered for Model 206ELWS WEIGHT: Shipping 485 lbs. Actual 373 lbs.

12V D. C. POWERED ELECTRIC CRANES

MODEL 2000A

SPECIFICATIONS

6,000 Ft.-Lbs. Moment Rating
 Maximum Capacity 2,000 Lbs. at 3 Ft. Load radius
 Planetary Gear Winch with 2.7 HP Permanent Magnet Motor: 2,000 lb. single line capacity
 On / Off 12 Volt Electric
 Remote Pendant Control 12 Ft. (removable)
 Galvanized Aircraft Cable 1/4" x 62 Ft. w/ swivel hook (7,000 Lbs. Breaking Strength)
 Down haul pickle weight
 Manual Rotation 360 Degree - Tapered Roller Bearings for ease of movement
 with a Manual Band Brake to control swing
 Boom Elevation - Manual with five positions
 Boom Extension - Manual from 5.5 Ft. to 9 Ft.

NOTE : ANTI TWO-BLOCK NOT OFFERED ON THIS MODEL

Mounting plate is 15" square with a 12" square bolt pattern.

INCLUDED

Battery Power Cable #4 x 25 Ft.
 Circuit Breaker, 150 Amp
 Ground Cable #4 x 3 Ft. for the factory battery to the truck frame
 Mounting Bolts Grade 8: 0.50" x 3.00" (Four)
 Recommended Installation Instructions
 Owners Manual

REQUIRED

Consistent 12 Volt DC power source with sufficient amperage while crane is running under load.
 Installer must assure the vehicle can maintain an appropriately level condition
 when the crane is in use under load.
 Boom Rest (P.N. 22167) or provision to prevent the crane from rotating when the vehicle is in motion.

RECOMMENDED

A dedicated battery, Group 31, deep cycle, near the crane is advised.
 Jackstand to provide stability and an appropriately level condition
 Minimum Recommended Vehicle GVWR 8,600 lbs.

Model / Item No.

2000A	Boom Length 5 1/2 Ft. to 9 Ft. manually extended
39070	No Anti Two-Block offered for Model 2000
	WEIGHT: Shipping 450 lbs. Actual 385 lbs.

12V D. C. POWERED ELECTRIC CRANES

MODEL 206R

SPECIFICATIONS

6,500 Ft.-Lbs. Moment Rating
 Maximum Capacity 2,000 Lbs. at 3.25 Ft. Load radius
 Planetary Gear Winch with Permanent Magnet Motor
 On / Off 12 Volt Electric
 Remote Pendant Control 12 Ft. (removable)
 Galvanized Aircraft Cable 3/16" x 35 Ft. (4,200 Lbs. Breaking Strength)
 Travel Block w/ swivel hook, for easy two part line hook up w/ swivel Hook
 Boom telescopes manually from 5.5 Ft. to 9 Ft.
 Power Rotation - Unlimited with an electric motor
 Boom Elevation - Manual, gas spring assist with five positions
 Boom Extension - Manual from 5.5 Ft. to 9 Ft.

NOTE : ANTI TWO-BLOCK NOT OFFERED ON THIS MODEL

Mounting plate is 12" square with a 9.5" square bolt pattern.

INCLUDED

Battery Power Cable #4 x 25 Ft.
 Circuit Breaker, 150 Amp
 Ground Cable #4 x 3 Ft. for the factory battery to the truck frame
 Master Disconnect Switch
 Mounting Bolts Grade 8: 0.50" x 3.00" (Four)
 Recommended Installation Instructions
 Owners Manual

REQUIRED

Consistent 12 Volt DC power source with sufficient amperage while crane is running under load.
 Installer must assure the vehicle can maintain an appropriately level condition
 when the crane is in use under load.
 Boom Rest (P.N. 22167) or provision to prevent the crane from rotating when the vehicle is in motion

RECOMMENDED

A dedicated battery, Group 31, deep cycle, near the crane is advised.
 Jackstand to provide stability and an appropriately level condition
 Minimum Recommended Vehicle GVWR 8,600 lbs.

Model / Item No.

206R VH 38907	Lower Pedestal Height standard at 22.75" - can be variable height ANTI-TWO BLOCK is not offered for Model 206R WEIGHT: Shipping 500 lbs. Actual 411 lbs.
206RS 38868	Same as 206R except pedestal is eliminated and base plate added for mounting on service body compartment top ANTI-TWO BLOCK is not offered for Model 206RS WEIGHT: Shipping 475 lbs. Actual 378 lbs.

12V D. C. POWERED ELECTRIC CRANES

MODEL 206REL

SPECIFICATIONS

6,500 Ft.-Lbs. Moment Rating
 Maximum Capacity 2,000 Lbs. at 3.25 Ft. Load radius
 Planetary Gear Winch with Permanent Magnet Motor
 On / Off 12 Volt Electric
 Remote Pendant Control 18 Ft. (removable)
 Galvanized Aircraft Cable 3/16" x 35 Ft. (4,200 Lbs. Breaking Strength)
 Travel Block w/ swivel hook, for easy two part line hook up
 Power Rotation - Unlimited on a ball bearing slewing ring
 Boom Elevation - Full Power (0 Deg. To 75 Deg.)
 Boom Extension - Manual from 5.5 Ft. to 9 Ft.
 Overload Protection System
 Optional Anti-Two Block System, needed when used in construction as per
 OSHA 1926.1441(d)(2) & 1926.1416(d)(3)
 Mounting plate is 12" square with a 9.5" square bolt pattern.

INCLUDED

Battery Power Cable #4 x 25 Ft.
 Circuit Breaker, 150 Amp
 Ground Cable #4 x 3 Ft. for the factory battery to the truck frame
 Master Disconnect Switch
 Mounting Bolts Grade 8: 0.50" x 3.00" (Four)
 Recommended Installation Instructions
 Owners Manual

REQUIRED

Consistent 12 Volt DC power source with sufficient amperage while crane is running under load.
 Installer must assure the vehicle can maintain an appropriately level condition
 when the crane is in use under load.
 Boom Rest (P.N. 27860 for service body or P.N. 22158 for flat bed)

RECOMMENDED

A dedicated battery, Group 31, deep cycle, near the crane is advised.
 Jackstand to prevent unrestricted twisting of chassis while lifting load.
 Minimum Recommended Vehicle GVWR 8,600 lbs.

Model / Item No.

- 206REL VH ATB** Lower Pedestal Height standard at 22.75" - can be variable height
39371 Includes ATB, needed when crane is used in construction as per 1926.1441(d)(2) & 1926.1416(d)(3)
 WEIGHT: Shipping 555 lbs. Actual 412 lbs.
- 206RELS ATB** Pedestal is eliminated and base plate added for mounting on service body compartment top
39372 Includes ATB, needed when crane is used in construction as per 1926.1441(d)(2) & 1926.1416(d)(3)
 WEIGHT: Shipping 520 lbs. Actual 383 lbs.
- 23813** **OPTION:** Add Mega Wireless Controls
 Maintains the use of Standard Wired Pendant
- OPTION:** Remove ATB on 206REL (39214) or RELS (39213)
NOTE: Mega Wireless controls is not available on cranes with the ATB removed.

12V D. C. POWERED ELECTRIC CRANES

MODEL 206REL W

SPECIFICATIONS

6,500 Ft.-Lbs. Moment Rating
 Maximum Capacity 2,000 Lbs. at 3.25 Ft. Load radius
 Planetary Gear Winch with 2.7 HP Permanent Magnet Motor: 2,000 lb. single line capacity
 On / Off 12 Volt Electric
 Remote Pendant Control 18 Ft. (removable)
 62 Ft. of 1/4" wire rope w/ swivel hook (7,000 Lbs. Capacity Breaking Strength)
 Down haul pickle weight
 Power Rotation - Unlimited on a ball bearing slewing ring
 Boom Elevation - Full Power (0 Deg. To 75 Deg.)
 Boom Extension - Manual from 5.5 Ft. to 9 Ft.
 Overload Protection System
 Includes ATB, needed when crane is used in construction as per 1926.1441(d)(2) & 1926.1416(d)(3)
 Mounting plate is 12" square with a 9.5" square bolt pattern.

INCLUDED

Battery Power Cable #4 x 25 Ft.
 Circuit Breaker, 150 Amp
 Ground Cable #4 x 3 Ft. for the factory battery to the truck frame
 Master Disconnect Switch
 Mounting Bolts Grade 8: 0.50" x 3.00" (Four)
 Recommended Installation Instructions
 Owners Manual

REQUIRED

Consistent 12 Volt DC power source with sufficient amperage while crane is running under load.
 Installer must assure the vehicle can maintain an appropriately level condition when the crane is in use under load.
 Boom Rest (P.N. 27860 for service body or P.N. 22158 for flat bed)

RECOMMENDED

A dedicated battery, Group 31, deep cycle, near the crane is advised.
 Jackstand to prevent unrestricted twisting of chassis while lifting load
 Minimum Recommended Vehicle GVWR 8,600 lbs.

Model / Item No.

206RELW VH ATB Lower Pedestal Height standard at 22.75" - can be variable height

39404 WEIGHT: Shipping 570 lbs. Actual 468 lbs.

206RELWS ATB Same as 206REL W except Pedestal is eliminated
 and base plate added for mounting on service body compartment top

39309 WEIGHT: Shipping 545 lbs. Actual 428 lbs.

12V D. C. POWERED ELECTRIC CRANES

MODEL LA6K

SPECIFICATIONS

6,500 Ft.-Lbs. Moment Rating
 Maximum Capacity 2,000 Lbs. at 3.3 Ft. Load radius
 Planetary Gear Winch with 2.7 HP Permanent Magnet Motor: 2,000 lb. single line capacity
 On / Off 12 Volt Electric
 Remote Pendant Control 18 Ft. (removable)
 Galvanized Aircraft Cable 7/32" x 40 Ft. with Ball Bearing Swivel Hook
 Ball Bearing allows hook to swivel under load
 Down haul pickle weight
 Power Rotation - Unlimited
 Rotation on a slewing ring, driven by a low speed high torque hydraulic motor
 Boom Elevation - Full Power (-90 Deg. To 70 Deg.)
 Boom Extension - Power 5.5 Ft. - 8.5 Ft.; Manual to 11.5 Ft.
 Counter balance valve (holding valve on both cylinders)
 Overload Protection System
 Includes ATB, needed when crane is used in construction as per 1926.1441(d)(2) & 1926.1416(d)(3)
 Mounting plate is 12" square with a 9.5" square bolt pattern.

INCLUDED

Battery Power Cable #4 x 25 Ft.
 Circuit Breaker, 150 Amp
 Ground Cable #4 x 3 Ft. for the factory battery to the truck frame
 Master Disconnect Switch
 Mounting Bolts Grade 8: 0.50" x 2.50" (Four)
 Crane-Truck Stability Plate
 Recommended Installation Instructions
 Owners Manual

REQUIRED

Consistent 12 Volt DC power source with sufficient amperage while crane is running under load.
 Installer responsible for meeting OSHA stability requirements of 29 CFR -1910.180 (c)(1)

RECOMMENDED

A dedicated battery, Group 31, deep cycle, near the crane is advised.
 12K Outriggers or jackstand for meeting vehicle stability requirements
 Minimum Recommended Vehicle GVWR 10,000 lbs.

Model / Item No.

LA6K EX-11 ATB Includes ATB, needed when crane is
39363 used in construction as per 1926.1441(d)(2) & 1926.1416(d)(3)
 WEIGHT: Shipping 820 lbs. Actual 690 lbs.

23813 **OPTION:** Add Mega Wireless Controls
 Maintains the use of Standard Wired Pendant

12V D. C. POWERED ELECTRIC CRANES

MODEL LA10K

SPECIFICATIONS

10,000 Ft.-Lbs. Moment Rating
 Maximum Capacity 2,000 Lbs. at 5 Ft. Load radius
 Planetary Gear Winch with 2.7 HP Permanent Magnet Motor: 2,000 lb. single line capacity
 On / Off 12 Volt Electric
 Remote Pendant Control 18 Ft. (removable)
 Galvanized Aircraft Cable 7/32" x 40 Ft. with Ball Bearing Swivel Hook
 Ball Bearing allows hook to swivel under load
 Down haul pickle weight
 Power Rotation - Unlimited
 Rotation on a slewing ring, driven by a low speed high torque hydraulic motor
 Boom Elevation - Full Power (-70 Deg. To 60 Deg.)
 Boom Extension - Power 5.5 Ft. - 8.5 Ft.; Manual to 11.5 Ft.
 Counter balance valve (holding valve on both cylinders)
 Overload Protection System
 Includes ATB, needed when crane is used in construction as per 1926.1441(d)(2) & 1926.1416(d)(3)
 Mounting plate is 15" square with a 12" square bolt pattern.

INCLUDED

Battery Power Cable #1 x 25 Ft. with Quick Disconnect Mecon
 Circuit Breaker, 150 Amp
 Ground Cable #4 x 3 Ft. for the factory battery to the truck frame
 Master Disconnect Switch and Bracket
 Mounting Bolts Grade 8: 0.50" x 2.50" (Four)
 Terminal Lugs #1 GA 0.25 Dia. (2)
 Terminal Lugs #1 GA 0.37 Dia. (2)
 Bubble Level
 Crane-Truck Stability Plate
 Recommended Installation Instructions
 Owners Manual

REQUIRED

Consistent 12 Volt DC power source with sufficient amperage while crane is running under load.
 Installer responsible for meeting OSHA stability requirements of 29 CFR -1910.180 (c)(1)

RECOMMENDED

A dedicated battery, Group 31, deep cycle, near the crane is advised.
 12K Outriggers or jackstand for meeting vehicle stability requirements
 Minimum Recommended Vehicle GVWR 10,000 lbs.

Model / Item No.

LA10K EX-11 ATB Includes ATB, needed when crane is
39377 used in construction as per 1926.1441(d)(2) & 1926.1416(d)(3)
 WEIGHT: Shipping 895 lbs. Actual 805 lbs.

23813 **OPTION:** Add Mega Wireless Controls
 Maintains the use of Standard Wired Pendant

12V D. C. POWERED ELECTRIC CRANES

MODEL 208EL

SPECIFICATIONS

8,100 Ft.-Lbs. Moment Rating
 Maximum Capacity 2,000 Lbs. at 4 Ft. Load radius
 Planetary Gear Winch with 2.7 HP Permanent Magnet Motor: 2,000 lb. single line capacity
 On / Off 12 Volt Electric
 Remote Pendant Control 18 Ft. (removable)
 Galvanized Aircraft Cable 1/4" x 62 Ft. w/ swivel hook (7,000 Lbs. Breaking Strength)
 Down haul pickle weight
 Manual 360 Degree - Tapered Roller Bearings for ease of movement
 with a Manual Band Brake to control swing
 Boom Elevation - Full Power (-5 Deg. To 75 Deg.)
 Boom Extension - Manual from 6 Ft. to 14 Ft.
 Overload Protection System
 Includes ATB, needed when crane is used in construction as per 1926.1441(d)(2) & 1926.1416(d)(3)
 Mounting plate is 15" square with a 12" square bolt pattern.

INCLUDED

Battery Power Cable #1 x 25 Ft. with Quick Disconnect Mecon
 Circuit Breaker, 150 Amp
 Ground Cable 1/0 x 3 Ft. for the factory battery to the truck frame
 Master Disconnect Switch and Bracket
 Mounting Bolts Grade 8: 0.50" x 2.50" (Four)
 Terminal Lugs #1 GA 0.25 Dia. (2)
 Terminal Lugs #1 GA 0.37 Dia. (2)
 Crane-Truck Stability Plate
 Recommended Installation Instructions
 Owners Manual

REQUIRED

Consistent 12 Volt DC power source with sufficient amperage while crane is running under load.
 Installer responsible for meeting OSHA stability requirements of 29 CFR -1910.180 (c)(1)
 Boom Rest (P.N. 27860 for service body or P.N. 22158 for flat bed)

RECOMMENDED

A dedicated battery, Group 31, deep cycle, near the crane is advised.
 12K Outriggers or jackstand for meeting vehicle stability requirements
 Minimum Recommended Vehicle GVWR 9,000 lbs.

Model / Item No.

208EL-14 ATB Manual boom extension from 6 Ft. - 14 Ft.
39335 WEIGHT: Shipping 650 lbs. Actual 573 lbs.

12V D. C. POWERED ELECTRIC CRANES

MODEL 2700AR

SPECIFICATIONS

8,100 Ft.-Lbs. Moment Rating
 Maximum Capacity 2,700 Lbs. at 3 Ft. Load radius
 Planetary Gear Winch with 2.7 HP Permanent Magnet Motor
 On / Off 12 Volt Electric
 Remote Pendant Control 18 Ft. with E-Stop & audible signal function
 Galvanized Aircraft Cable 1/4" x 62 Ft. (7,000 Lbs. Breaking Strength)
 Travel Block w/ swivel hook, for easy two part line hook up
 Power Rotation - Unlimited
 Boom Elevation - Full Power (-5 Deg. To 75 Deg.)
 Boom Extension - Manual 6 Ft. - 14 Ft. in two sections
 Counter balance valve (holding valve on cylinder)
 Overload Protection System
 Anti-Two Block System
 Meets requirements of 29 CFR 1910.180, ANSI B30.5, SAE J1063
 Mounting plate is 15" square with a 12" square bolt pattern.

INCLUDED

Battery Power Cable #1 x 30 Ft. with Quick Disconnect Mecon
 Circuit Breaker, 150 Amp
 Ground Cable 1/0 x 3 Ft. for the factory battery to the truck frame
 Mounting Bolts Grade 8: 0.50" x 2.50" (Four)
 Terminal Lugs #1 GA 0.25 Dia. (2)
 Terminal Lugs #1 GA 0.37 Dia. (2)
 Master Disconnect Switch and Bracket
 Bubble Level
 Crane-Truck Stability Plate
 Recommended Installation Instructions
 Owners Manual

REQUIRED

Consistent 12 Volt DC power source with sufficient amperage while crane is running under load.
 For optimum performance, a dedicated battery, Group 31 or larger, deep cycle, near the crane is advised.
 Installer responsible for meeting OSHA stability requirements of 29 CFR -1910.180 (c)(1)
 Boom Rest (P.N. 27860 for service body or P.N. 22158 for flat bed)

RECOMMENDED

12K Outriggers or jackstand for meeting vehicle stability requirements
 Minimum Recommended Vehicle GVWR 10,000 lbs.

Model / Item No.

2700AR-14 39260	Manual boom extension from 6 Ft. to 14 Ft. in two stages. WEIGHT: Shipping 775 lbs. Actual 608 lbs.
2700AR-14 WI 39394	Includes all features of 39260 but also wireless control instead of wired remote control, Digital voltmeter / ammeter, capable of Wi-Fi diagnostics through 26684 Tool
24615	Receiver and wire harness for remote control of truck engine. Features include start, stop, engage high idle, and additional control for auxiliary equipment. This option is only available with wireless controlled cranes above 2,000 lbs. capacity

12V D. C. POWERED ELECTRIC CRANES

MODEL 3200REL

SPECIFICATIONS

10,000 Ft.-Lbs. Moment Rating
 Maximum Capacity 3,200 Lbs. at 3 Ft. Load radius
 Planetary Gear Winch with 2.7 HP Permanent Magnet Motor
 On / Off 12 Volt Electric
 Remote Pendant Control 18 Ft. with E-Stop & audible signal function
 Galvanized Aircraft Cable 1/4" x 62 Ft. (7,000 Lbs. Breaking Strength)
 Travel Block w/ swivel hook, for easy two part line hook up
 Power Rotation - Unlimited
 Boom Elevation - Full Power (-5 Deg. To 75 Deg.)
 Boom Extension - Manual 7 Ft. - 15 Ft. in two sections
 Counter balance valve (holding valve on cylinder)
 Overload Protection System
 Anti-Two Block System
 Meets requirements of 29 CFR 1910.180, ANSI B30.5, SAE J1063
 Mounting plate is 15" square with a 12" square bolt pattern.

INCLUDED

Battery Power Cable #1 x 30 Ft. with Quick Disconnect Mecon
 Circuit Breaker, 150 Amp (2)
 Ground Cable 1/0 x 3 Ft. for the factory battery to the truck frame
 Master Disconnect Switch and Bracket
 Mounting Bolts Grade 8: 0.50" x 2.50" (Four)
 Terminal Lugs #1 GA 0.25 Dia. (2)
 Terminal Lugs #1 GA 0.37 Dia. (2)
 Bubble Level
 Crane-Truck Stability Plate
 Recommended Installation Instructions
 Owners Manual

REQUIRED

Consistent 12 Volt DC power source with sufficient amperage while crane is running under load.
 For optimum performance, a dedicated battery, Group 31 or larger, deep cycle, near the crane is advised.
 Installer responsible for meeting OSHA stability requirements of 29 CFR -1910.180 (c)(1)
 Boom Rest (P.N. 27860 for service body or P.N. 22158 for flat bed)

RECOMMENDED

12K Outriggers or jackstand for meeting vehicle stability requirements
 Minimum Recommended Vehicle GVWR 10,000 lbs.

Model / Item No.

3200REL-15 39241	Manual boom extension from 7 Ft. to 15 Ft. in two stages. WEIGHT: Shipping 805 lbs. Actual 660 lbs.
3200REL WI 39397	Includes all features of 39241 but also wireless control instead of wired remote control, Digital voltmeter / ammeter, capable of Wi-Fi diagnostics through 26684 Tool
24615	Receiver and wire harness for remote control of truck engine. Features include start, stop, engage high idle, and additional control for auxiliary equipment. This option is only available with wireless controlled cranes above 2,000 lbs. capacity

12V D. C. POWERED ELECTRIC CRANES

MODEL 3200REE

SPECIFICATIONS

10,000 Ft.-Lbs. Moment Rating
 Maximum Capacity 3,200 Lbs. at 3 Ft. Load radius
 Planetary Gear Winch with 2.7 HP Permanent Magnet Motor
 On / Off 12 Volt Electric
 Remote Pendant Control 18 Ft. with E-Stop & audible signal function
 Galvanized Aircraft Cable 1/4" x 62 Ft. (7,000 Lbs. Breaking Strength)
 Travel Block w/ swivel hook, for easy two part line hook up
 Power Rotation - Unlimited
 Boom Elevation - Full Power (-5 Deg. To 75 Deg.)
 Boom Extension - Power 7 Ft. - 11 Ft.; Manual to 15 Ft.
 Counter balance valve (holding valve on cylinder)
 Overload Protection System
 Anti-Two Block System
 Meets requirements of 29 CFR 1910.180, ANSI B30.5, SAE J1063
 Mounting plate is 15" square with a 12" square bolt pattern.

INCLUDED

Battery Power Cable #1 x 30 Ft. with Quick Disconnect Mecon
 Circuit Breaker, 150 Amp (2)
 Ground Cable 1/0 x 3 Ft. for the factory battery to the truck frame
 Master Disconnect Switch and Bracket
 Mounting Bolts Grade 8: 0.50" x 2.50" (Four)
 Terminal Lugs #1 GA 0.25 Dia. (2)
 Terminal Lugs #1 GA 0.37 Dia. (2)
 Bubble Level
 Crane-Truck Stability Plate
 Recommended Installation Instructions
 Owners Manual

REQUIRED

Consistent 12 Volt DC power source with sufficient amperage while crane is running under load.
 For optimum performance, a dedicated battery, Group 31 or larger, deep cycle, near the crane is advised.
 Installer responsible for meeting OSHA stability requirements of 29 CFR -1910.180 (c)(1)
 Boom Rest (P.N. 27860 for service body or P.N. 22158 for flat bed)

RECOMMENDED

12K Outriggers or jackstand for meeting vehicle stability requirements
 Minimum Recommended Vehicle GVWR 10,500 lbs.

Model / Item No.

3200REE-15 39245	Power boom extension from 7 Ft. to 11 Ft. with Manual Extension to 15 Ft. WEIGHT: Shipping 865 lbs. Actual 733 lbs.
3200REE-15 WI 39384	Includes all features of 39245 but also wireless control instead of wired remote control, Digital voltmeter / ammeter, capable of Wi-Fi diagnostics through 26684 Tool
24615	Receiver and wire harness for remote control of truck engine. Features include start, stop, engage high idle, and additional control for auxiliary equipment. This option is only available with wireless controlled cranes above 2,000 lbs. capacity

12V D. C. POWERED ELECTRIC CRANES

MODEL 3612REE

SPECIFICATIONS

12,000 Ft.-Lbs. Moment Rating
 Maximum Capacity 3,600 Lbs. at 3.3 Ft. Load radius
 Planetary Gear Winch with 2.7 HP Permanent Magnet Motor
 On / Off 12 Volt Electric
 Remote Pendant Control 18 Ft. with E-Stop & audible signal function
 Galvanized Aircraft Cable 1/4" x 62 Ft. (7,000 Lbs. Breaking Strength)
 Travel Block w/ swivel hook, for easy two part line hook up
 Power Rotation - Unlimited
 Boom Elevation - Full Power (-5 Deg. To 75 Deg.)
 Boom Extension - Power 7 Ft. - 11 Ft.; Manual to 15 Ft.
 Counter balance valve (holding valve on cylinder)
 Overload Protection System
 Anti-Two Block System
 Meets requirements of 29 CFR 1910.180, ANSI B30.5, SAE J1063
 Mounting plate is 15" square with a 12" square bolt pattern.

INCLUDED

Battery Power Cable #1 x 30 Ft. with Quick Disconnect Mecon
 Circuit Breaker, 150 Amp (2)
 Ground Cable 1/0 x 3 Ft. for the factory battery to the truck frame
 Master Disconnect Switch and Bracket
 Mounting Bolts Grade 8: 0.50" x 2.50" (Four)
 Terminal Lugs #1 GA 0.25 Dia. (2)
 Terminal Lugs #1 GA 0.37 Dia. (2)
 Bubble Level
 Crane-Truck Stability Plate
 Recommended Installation Instructions
 Owners Manual

REQUIRED

Consistent 12 Volt DC power source with sufficient amperage while crane is running under load.
 For optimum performance, a dedicated battery, Group 31 or larger, deep cycle, near the crane is advised.
 Installer responsible for meeting OSHA stability requirements of 29 CFR -1910.180 (c)(1)
 Boom Rest (P.N. 27860 for service body or P.N. 22158 for flat bed)

RECOMMENDED

12K Outriggers or jackstand for meeting vehicle stability requirements
 Minimum Recommended Vehicle GVWR 10,500 lbs.

Model / Item No.

- | | |
|--------------------------------|---|
| 3612REE-15
39252 | Power boom extension from 7 Ft. to 11 Ft. with Manual Extension to 15 Ft.
WEIGHT: Shipping 840 lbs. Actual 720 lbs. |
| 3612REE-15 WI
39398 | Includes all features of 39252 but also wireless control instead of wired remote control,
Digital voltmeter / ammeter, capable of Wi-Fi diagnostics through 26684 Tool |
| 24615 | Receiver and wire harness for remote control of truck engine. Features include start, stop,
engage high idle, and additional control for auxiliary equipment. This option is only available
with wireless controlled cranes above 2,000 lbs. capacity |

12V D. C. POWERED ELECTRIC CRANES

MODEL 3612X 9-15

SPECIFICATIONS

12,000 Ft.-Lbs. Moment Rating
 Maximum Capacity 3,600 Lbs. at 3.3 Ft. Load radius
 Planetary Gear Winch with 2.7 HP Permanent Magnet Motor
 On / Off 12 Volt Electric
 Remote Pendant Control 18 Ft. with E-Stop & audible signal function
 Galvanized Aircraft Cable 1/4" x 62 Ft. (7,000 Lbs. Breaking Strength)
 Travel Block w/ swivel hook, for easy two part line hook up
 Power Rotation - Unlimited
 Boom Elevation - Full Power (-5 Deg. To 75 Deg.)
 Boom Extension - Full Power 9 Ft. - 15 Ft.
 Counter balance valve (holding valve on cylinder)
 Overload Protection System
 Anti-Two Block System
 Meets requirements of 29 CFR 1910.180, ANSI B30.5, SAE J1063
 Mounting plate is 15" square with a 12" square bolt pattern.

INCLUDED

Battery Power Cable #1 x 30 Ft. with Quick Disconnect Mecon
 Circuit Breaker, 150 Amp (2)
 Ground Cable 1/0 x 3 Ft. for the factory battery to the truck frame
 Master Disconnect Switch and Bracket
 Mounting Bolts Grade 8: 0.50" x 2.50" (Four)
 Terminal Lugs #1 GA 0.25 Dia. (2)
 Terminal Lugs #1 GA 0.37 Dia. (2)
 Bubble Level
 Crane-Truck Stability Plate
 Recommended Installation Instructions
 Owners Manual

REQUIRED

Consistent 12 Volt DC power source with sufficient amperage while crane is running under load.
 For optimum performance, a dedicated battery, Group 31 or larger, deep cycle, near the crane is advised.
 Installer responsible for meeting OSHA stability requirements of 29 CFR -1910.180 (c)(1)
 Boom Rest (P.N. 27860 for service body or P.N. 22158 for flat bed)

RECOMMENDED

12K Outriggers or jackstand for meeting vehicle stability requirements
 Minimum Recommended Vehicle GVWR 10,500 lbs.

Model / Item No.

3612X 9-15 39254	Power boom extension from 9 Ft. to 15 Ft. WEIGHT: Shipping 920 lbs. Actual 769 lbs.
3612X 9-15 WI 39385	Includes all features of 39254 but also wireless control instead of wired remote control, Digital voltmeter / ammeter, capable of Wi-Fi diagnostics through 26684 Tool
24615	Receiver and wire harness for remote control of truck engine. Features include start, stop, engage high idle, and additional control for auxiliary equipment. This option is only available with wireless controlled cranes above 2,000 lbs. capacity

12V D. C. POWERED ELECTRIC CRANES

MODEL 4000X

SPECIFICATIONS

16,000 Ft.-Lbs. Moment Rating
 Maximum Capacity 4,000 Lbs. at 4 Ft. Load radius
 Planetary Gear Winch with 2.7 HP Permanent Magnet Motor
 On / Off 12 Volt Electric
 Remote Pendant Control 25 Ft. with E-Stop & audible signal function
 Galvanized Aircraft Cable 1/4" x 85 Ft. (7,000 Lbs. Breaking Strength)
 Travel Block w/ swivel hook, for easy two part line hook up
 Power Rotation - Unlimited
 Boom Elevation - Full Power (-5 Deg. To 75 Deg.)
 Boom Extension - Power and Manual 10 Ft. - 16 Ft. or 16 Ft. - 20 Ft.
 Counter balance valve (holding valve on cylinder)
 Overload Protection System
 Anti-Two Block System
 Meets requirements of 29 CFR 1910.180, ANSI B30.5, SAE J1063
 Mounting plate is 15" square with a 12" square bolt pattern.

INCLUDED

Battery Power Cable #1 x 30 Ft. with Quick Disconnect Mecon
 Circuit Breaker, 150 Amp (2)
 Ground Cable 1/0 x 3 Ft. for the factory battery to the truck frame
 Master Disconnect Switch and Bracket
 Mounting Bolts Grade 8: 0.75" x 3.50" (Four)
 Terminal Lugs #1 GA 0.25 Dia. (2)
 Terminal Lugs #1 GA 0.37 Dia. (2)
 Bubble Level
 Crane-Truck Stability Plate
 Recommended Installation Instructions
 Owners Manual

REQUIRED

Consistent 12 Volt DC power source with sufficient amperage while crane is running under load.
 For optimum performance, a dedicated battery, Group 31 or larger, deep cycle, near the crane is advised.
 Installer responsible for meeting OSHA stability requirements of 29 CFR -1910.180 (c)(1)
 Boom Rest (P.N. 27860 for service body or P.N. 22158 for flat bed)

RECOMMENDED

18K Outriggers for meeting vehicle stability requirements
 Minimum Recommended Vehicle GVWR 14,500 lbs.

Model / Item No.

4000X-16 39249	Power boom extension from 8 Ft. to 12 Ft. with Manual to 16 Ft. WEIGHT: Shipping 960 lbs. Actual 858 lbs.
4000X-16 WI 39395	Includes all features of 39249 but also wireless control instead of wired remote control, Digital voltmeter / ammeter, capable of Wi-Fi diagnostics through 26684 Tool
4000X-20 39244	Power boom extension from 10 to 16 Ft. with manual to 20 Ft. WEIGHT: Shipping 995 lbs. Actual 913 lbs.
4000X-20 WI 39396	Includes all features of 39244 but also wireless control instead of wired remote control, Digital voltmeter / ammeter, capable of Wi-Fi diagnostics through 26684 Tool
24615	Receiver and wire harness for remote control of truck engine. Features include start, stop, engage high idle, and additional control for auxiliary equipment. This option is only available with wireless controlled cranes above 2,000 lbs. capacity

12V D. C. POWERED ELECTRIC CRANES

MODEL 5000WX-20

SPECIFICATIONS

25,000 Ft.-Lbs. Moment Rating
 Maximum Capacity 5,000 Lbs. at 5 Ft. Load radius
 Planetary Gear Electric Winch
 On / Off 12 Volt Electric
 Remote Pendant Control 25 Ft. with E-Stop & audible signal function
 Galvanized Aircraft Cable 5/16" x 80 Ft. (9,600 Lb. Breaking Strength)
 Traveling Block with Roller Bearing Swivel Safety Hook
 Power Rotation - Unlimited
 Boom Elevation - Full Power (-5 Deg. To 75 Deg.)
 Boom Extension - Power 10 Ft. - 16 Ft.; Manual to 20 Ft.
 Counter balance valve (holding valve on cylinder)
 Overload Protection System
 Anti-Two Block System with curved bail arms
 Voltmeter / Ammeter on body of crane
 Meets requirements of 29 CFR 1910.180, ANSI B30.5, SAE J1063
 Mounting Plate is 16 3/4" square with a 14 3/4" square bolt pattern.

INCLUDED

Battery Power Cable 1/0 x 30 Ft. with Quick Disconnect Mecon
 Circuit Breaker, 150 Amp (2)
 Circuit Breaker, 200 Amp (1)
 Ground Cable 1/0 x 3 Ft. for the factory battery to the truck frame
 Master Disconnect Switch and Bracket
 Terminal Lugs 1/0 GA 0.25 Dia. (4)
 Bubble Level
 Crane-Truck Stability Plate
 Recommended Installation Instructions
 Owners Manual

REQUIRED

Consistent 12 Volt DC power source with sufficient amperage while crane is running under load.
 For optimum performance, a dedicated battery, Group 4D or larger, deep cycle, near the crane is advised.
 Mounting Bolts Grade 8: 7/8" Dia. (4)
 Installer responsible for meeting OSHA stability requirements of 29 CFR -1910.180 (c)(1)
 Boom Rest (P.N. 27818 for service body or 24589 for flat bed)

RECOMMENDED

25K Outriggers for meeting vehicle stability requirements
 Minimum Recommended Vehicle GVWR 14,500 lbs.

Model / Item No.

5000X-20 39418	Power boom extension from 10 Ft. to 16 Ft. with manual to 20 Ft. WEIGHT: Shipping 1670 lbs. Actual 1317 lbs.
5000X-20 WI 39428	Includes all features of 39418 but also wireless control instead of wired remote control, Capable of Wi-Fi diagnostics through 26684 Tool
24615	Receiver and wire harness for remote control of truck engine. Features include start, stop, engage high idle, and additional control for auxiliary equipment. This option is only available with wireless controlled cranes above 2,000 lbs. capacity

12V D. C. POWERED ELECTRIC CRANES

MODEL 5000WX-12-20

SPECIFICATIONS

25,000 Ft.-Lbs. Moment Rating
 Maximum Capacity 5,000 Lbs. at 5 Ft. Load radius
 Planetary Gear Electric Winch
 On / Off 12 Volt Electric
 Remote Pendant Control 25 Ft. with E-Stop & audible signal function
 Galvanized Aircraft Cable 5/16" x 80 Ft. (9,600 Lb. Breaking Strength)
 Traveling Block with Roller Bearing Swivel Safety Hook
 Power Rotation - Unlimited
 Boom Elevation - Full Power (-5 Deg. To 75 Deg.)
 Boom Extension - Full Power 12 Ft. - 20 Ft.
 Counter balance valve (holding valve on cylinder)
 Overload Protection System
 Anti-Two Block System with curved bail arms
 Voltmeter / Ammeter on body of crane
 Meets requirements of 29 CFR 1910.180, ANSI B30.5, SAE J1063
 Mounting Plate is 16 3/4" square with a 14 3/4" square bolt pattern.

INCLUDED

Battery Power Cable 1/0 x 30 Ft. with Quick Disconnect Mecon
 Circuit Breaker, 150 Amp (2)
 Circuit Breaker, 200 Amp (1)
 Ground Cable 1/0 x 3 Ft. for the factory battery to the truck frame
 Master Disconnect Switch and Bracket
 Terminal Lugs 1/0 GA 0.25 Dia. (4)
 Bubble Level
 Crane-Truck Stability Plate
 Recommended Installation Instructions
 Owners Manual

REQUIRED

Consistent 12 Volt DC power source with sufficient amperage while crane is running under load.
 For optimum performance, a dedicated battery, Group 4D or larger, deep cycle, near the crane is advised.
 Mounting Bolts Grade 8: 7/8" Dia. (4)
 Installer responsible for meeting OSHA stability requirements of 29 CFR -1910.180 (c)(1)
 Boom Rest (P.N. 27818 for service body or 24589 for flat bed)

RECOMMENDED

25K Outriggers for meeting vehicle stability requirements
 Minimum Recommended Vehicle GVWR 14,500 lbs.

Model / Item No.

5000X 12-20	Power boom extension from 12 Ft. to 20 Ft.
39419	WEIGHT: Shipping 1685 lbs. Actual 1392 lbs.
5000X 12-20 WI	Includes all features of 39419 but also wireless control instead of wired remote control,
39421	Capable of Wi-Fi diagnostics through 26684 Tool
24615	Receiver and wire harness for remote control of truck engine. Features include start, stop, engage high idle, and additional control for auxiliary equipment. This option is only available with wireless controlled cranes above 2,000 lbs. capacity

12V D. C. POWERED ELECTRIC CRANES

MODEL 6036WX

SPECIFICATIONS

36,000 Ft.-Lbs. Moment Rating
 Maximum Capacity 6,000 Lbs. at 6 Ft. Load Radius
 Planetary Gear Electric Winch
 On / Off 12 Volt Electric
 Remote Pendant Control 25 Ft. with E-Stop & audible signal function
 Wire Rope, 6 X 36, 5/16" x 90 Ft. (10,540 Breaking Strength)
 Traveling Block with Roller Bearing Swivel Safety Hook
 Power Rotation - Unlimited
 Boom Elevation - Full Power (-5 Deg. To 75 Deg.)
 Boom Extension - Power 10 Ft. - 16 Ft.; Manual to 20 Ft.
 Counter balance valve (holding valve on cylinder)
 Overload Protection System
 Anti-Two Block System with curved bail arms
 Voltmeter / Ammeter on body of crane
 Meets requirements of 29 CFR 1910.180, ANSI B30.5, SAE J1063
 Mounting Plate is 16 3/4" square with a 14 3/4 " square bolt pattern.

INCLUDED

Battery Power Cable #1 x 30 Ft. with Quick Disconnect Mecon
 Circuit Breaker, 150 Amp (2)
 Circuit Breaker, 200 Amp (1)
 Ground Cable 1/0 x 3 Ft. for the factory battery to the truck frame
 Master Disconnect Switch and Bracket
 Terminal Lugs 1/0 GA 0.25 Dia. (4)
 Terminal Lugs 1/0 GA 0.37 Dia. (4)
 Bubble Level
 Crane-Truck Stability Plate
 Recommended Installation Instructions
 Owners Manual

REQUIRED

Consistent 12 Volt DC power source with sufficient amperage while crane is running under load.
 For optimum performance, a dedicated battery, Group 4D or larger, deep cycle, near the crane is advised.
 Mounting Bolts Grade 8: 7/8" Dia. (4)
 Installer responsible for meeting OSHA stability requirements of 29 CFR -1910.180 (c)(1)
 Boom Rest (P.N. 27818 for service body or 24589 for flat bed)

RECOMMENDED

36K Outriggers for meeting vehicle stability requirements
 Minimum Recommended Vehicle GVWR 17,500 lbs.

Model / Item No.

6036X-20 39403	Power boom extension from 10 Ft. to 16 Ft. with manual to 20 Ft. WEIGHT: Shipping 1730 lbs. Actual 1484 lbs.
6036X-20 WI 39410	Includes all features of 39403 but also wireless control instead of wired remote control, Capable of Wi-Fi diagnostics through 26684 Tool
24615	Receiver and wire harness for remote control of truck engine. Features include start, stop, engage high idle, and additional control for auxiliary equipment. This option is only available with wireless controlled cranes above 2,000 lbs. capacity

12V D. C. POWERED ELECTRIC CRANES

MODEL 6036DX

SPECIFICATIONS

36,000 Ft.-Lbs. Moment Rating
 Maximum Capacity 6,000 Lbs. at 6 Ft. Load Radius.
 Planetary Gear Electric Winch
 On / Off 12 Volt Electric
 Remote Pendant Control 25 Ft. with E-Stop & audible signal function
 Wire Rope, 6 X 36, 5/16" x 90 Ft. (10,540 Breaking Strength)
 Traveling Block with Roller Bearing Swivel Safety Hook.
 Power Rotation - Unlimited
 Boom Elevation - Full Power (-5 Deg. To 75 Deg.)
 Boom Extension - Full Power 11 Ft. - 22 Ft.
 Counter balance valve (holding valve on cylinder)
 Overload Protection System
 Anti-Two Block System with curved bail arms
 Voltmeter / Ammeter on body of crane
 Meets requirements of 29 CFR 1910.180, ANSI B30.5, SAE J1063
 Mounting Plate is 16 3/4" square with a 14 3/4 " square bolt pattern.

INCLUDED

Battery Power Cable #1 x 30 Ft. with Quick Disconnect Mecon
 Circuit Breaker, 150 Amp (2)
 Circuit Breaker, 200 Amp (1)
 Ground Cable 1/0 x 3 Ft. for the factory battery to the truck frame
 Master Disconnect Switch and Bracket
 Terminal Lugs 1/0 GA 0.25 Dia. (4)
 Terminal Lugs 1/0 GA 0.37 Dia. (4)
 Bubble Level
 Crane-Truck Stability Plate
 Recommended Installation Instructions
 Owners Manual

REQUIRED

Consistent 12 Volt DC power source with sufficient amperage while crane is running under load.
 For optimum performance, a dedicated battery, Group 4D or larger, deep cycle, near the crane is advised.
 Mounting Bolts Grade 8: 7/8" Dia. (4)
 Installer responsible for meeting OSHA stability requirements of 29 CFR -1910.180 (c)(1)
 Boom Rest (P.N. 27818 for service body or 24589 for flat bed)

RECOMMENDED

Minimum Recommended Vehicle GVWR 17,500 lbs.
 36K Outriggers for meeting vehicle stability requirements
 Minimum Recommended Vehicle GVWR 17,500 lbs.

Model / Item No.

6036DX-22 39426	Power boom extension from 11 to 22 Ft. WEIGHT: Shipping 2040 lbs. Actual 1810 lbs.
6036DX-22 WI 39414	Includes all features of 39369 but also wireless control instead of wired remote control, Capable of Wi-Fi diagnostics through 26684 Tool
24615	Receiver and wire harness for remote control of truck engine. Features include start, stop, engage high idle, and additional control for auxiliary equipment. This option is only available with wireless controlled cranes above 2,000 lbs. capacity

HYDRAULIC POWERED CRANES

MODEL 1032XP

SPECIFICATIONS

10,000 Ft.-Lbs. Moment Rating
 Maximum Capacity 3,200 Lbs. at 3 Ft. Load radius
 Planetary Gear Winch - single line speed 34 fpm at 5 gpm
 Proportional hydraulic control System Standard
 Wireless Radio Remote Control with E-Stop & audible signal function.
 Galvanized Aircraft Cable 1/4" x 62 Ft. (7,000 Lbs. Breaking Strength)
 Travel Block w/ swivel hook, For easy two part line hook up
 Power Rotation - 365 degree
 Boom Elevation - Full Power (-5 Deg. To 75 Deg.)
 Boom Extension - Power 7 Ft. - 11 Ft. ; Manual 11 Ft. - 15 Ft.
 Counter balance valve (holding valve on all cylinders)
 Overload Protection System
 Anti-Two Block System
 Meets requirements of 29 CFR 1910.180, ANSI B30.5, SAE J1063
 Mounting plate is 15" square with a 12" square bolt pattern

INCLUDED

Battery Power Cable 10 Ga. x 25 Ft. with toggle switch, switch bracket, terminal rings & fuse for the required DC power connection to vehicle.
 Mounting Bolts Grade 8: 0.50" x 2.50" (Four)
 Bubble Level
 Crane-Truck Stability Plate
 Recommended Installation Instructions
 Owners Manual

REQUIRED

PTO, Pump, Reservoir and Hoses
 Pump should supply 6 GPM at 2750 PSI.
 Installer responsible for meeting OSHA stability requirements of 29 CFR -1910.180 (c)(1)
 Boom Rest (P.N. 27860 for service body or P.N. 22158 for flat bed)

RECOMMENDED

Adjustable pressure relief & flow control valves will ensure that the best optimum performance can be obtained.
 12K Outriggers for meeting vehicle stability requirements
 Minimum Recommended Vehicle GVWR 11,000 lbs.

Model / Item No.

1032XP-15 39255	Power boom extension from 7 Ft. to 11 Ft. with Manual Extension to 15 Ft. Wireless Radio Proportional Hydraulic Controls are standard WEIGHT: Shipping 930 lbs. Actual 724 lbs.
24615	Receiver and wire harness for remote control of truck engine. Features include start, stop, engage high idle, and additional control for auxiliary equipment. This option is only available with wireless controlled cranes above 2,000 lbs. capacity
	OPTION: Remote Pendant Control (Wired) on above Proportional cranes 39256 Model 1032XP-15 HE

HYDRAULIC POWERED CRANES

MODEL 1640XP

SPECIFICATIONS

16,000 Ft.-Lbs. Moment Rating
 Maximum Capacity 4,000 Lbs. at 4 Ft. Load radius
 Planetary Gear Winch - single line speed 30 fpm at 5 gpm
 Proportional hydraulic control System Standard
 Wireless Radio Remote Control with E-Stop & audible signal function.
 Galvanized Aircraft Cable 1/4" x 70 Ft. (7,000 Lb. Breaking Strength)
 Travel Block w/ swivel block, For easy two part line hook up
 Power Rotation - 365 degree
 Boom Elevation - Full Power (-5 Deg. To 75 Deg.)
 Boom Extension - Power and Manual See specific models below
 Counter balance valve (holding valve on all cylinders)
 Overload Protection System
 Anti-Two Block System
 Meets requirements of 29 CFR 1910.180, ANSI B30.5, SAE J1063
 Mounting plate is 15" square with a 12" square bolt pattern

INCLUDED

Battery Power Cable 10 Ga. x 25 Ft. with toggle switch, switch bracket, terminal rings & fuse for the required DC power connection to vehicle.
 Mounting Bolts Grade 8: 0.75" x 3.00" (Four)
 Bubble Level
 Crane-Truck Stability Plate
 Recommended Installation Instructions
 Owners Manual

REQUIRED

PTO, Pump, Reservoir and Hoses
 Pump should supply 6 GPM at 2750 PSI.
 Installer responsible for meeting OSHA stability requirements of 29 CFR -1910.180 (c)(1)
 Boom Rest (P.N. 27860 for service body or P.N. 22158 for flat bed)

RECOMMENDED

Adjustable pressure relief & flow control valves will ensure that the best optimum performance can be obtained.
 18K Outriggers for meeting vehicle stability requirements
 Minimum Recommended Vehicle GVWR 14,500 lbs.

Model / Item No.

- | | |
|----------------------------|---|
| 1640XP-16 | Power boom extension from 8 Ft. to 12 Ft. with Manual to 16 Ft.
Wireless Radio Proportional Hydraulic Controls are standard
WEIGHT: Shipping 1035 lbs. Actual 920 lbs. |
| 1640XP-20
39267 | Power boom extension from 10 to 16 Ft. with manual to 20 Ft.
Wireless Radio Proportional Hydraulic Controls are standard
WEIGHT: Shipping 1065 lbs. Actual 965 lbs. |
| 24615 | Receiver and wire harness for remote control of truck engine. Features include start, stop, engage high idle, and additional control for auxiliary equipment. This option is only available with wireless controlled cranes above 2,000 lbs. capacity |

OPTION: Remote Pendant Control (Wired) on above Proportional cranes
 39265 Model 1640XP-16 HE

HYDRAULIC POWERED CRANES

MODEL 2550XP

SPECIFICATIONS

25,000 Ft.-Lbs. Moment Rating
 Maximum Capacity 5,000 Lbs. at 5 Ft. Load Radius
 Worm Gear Winch - single line speed 20 fpm at 6 gpm
 Proportional hydraulic control System Standard
 Wireless Radio Remote Control with E-Stop & audible signal function.
 Galvanized Aircraft Cable 5/16" x 80 Ft. (9,800 Lb. Breaking Strength)
 Traveling Block with Roller Bearing Swivel Safety Hook
 Power Rotation - Unlimited
 Boom Elevation - Full Power (-5 Deg. To 75 Deg.)
 Boom Extension - Power 10 Ft. - 16 Ft. ; Manual 16 Ft. - 20 Ft.
 Counter balance valve (holding valve on all cylinders)
 Overload Protection System
 Anti-Two Block System
 Meets requirements of 29 CFR 1910.180, ANSI B30.5, SAE J1063
 Mounting Plate is 16 3/4" square with a 14 3/4 " square bolt pattern.

INCLUDED

Battery Power Cable 10 Ga. x 25 Ft. with toggle switch, switch bracket, terminal rings & fuse for the required DC power connection to vehicle.
 Bubble Level
 Crane-Truck Stability Plate
 Recommended Installation Instructions
 Owners Manual

REQUIRED

PTO, Pump, Reservoir and Hoses
 Pump should supply 6 GPM at 2750 PSI.
 Four 7/8 Grade 8 mounting bolts
 Installer responsible for meeting OSHA stability requirements of 29 CFR -1910.180 (c)(1)
 Boom Rest (P.N. 27818 for service body or 24589 for flat bed)

RECOMMENDED

Adjustable pressure relief & flow control valves will ensure that the best optimum performance can be obtained.
 25K Outriggers for meeting vehicle stability requirements
 Minimum Recommended Vehicle GVWR 14,500 lbs.

Model / Item No.

2550XP-20	Power boom extension from 10 Ft. to 16 Ft. 4 Ft. Manual to 20 Ft.
39330	Wireless Radio Remote Control with E-Stop & audible signal function WEIGHT: Shipping 1608 lbs. Actual 1302 lbs.
24615	Receiver and wire harness for remote control of truck engine. Features include start, stop, engage high idle, and additional control for auxiliary equipment. This option is only available with wireless controlled cranes above 2,000 lbs. capacity
	OPTION: Remote Pendant Control (Wired) on above Proportional crane 39327 Model 2550XP-20 HE

HYDRAULIC POWERED CRANES

MODEL 2550XP 12-20

SPECIFICATIONS

25,000 Ft.-Lbs. Moment Rating
 Maximum Capacity 5,000 Lbs. at 5 Ft. Load Radius
 Planetary Gear Winch - single line speed 31 fpm at 6 gpm
 Proportional Hydraulic Control System Standard
 Wireless Radio Remote Control with E-Stop & audible signal function
 Galvanized Aircraft Cable 5/16" x 80 Ft. (9,800 Lb. Breaking Strength)
 Traveling Block with Roller Bearing Swivel Safety Hook
 Power Rotation - Unlimited
 Boom Elevation - Full Power (-5 Deg. To 75 Deg.)
 Boom Extension - Full Power 12 Ft. - 20 Ft.
 Counter balance valve (holding valve on all cylinders)
 Overload Protection System
 Anti-Two Block System
 Meets requirements of 29 CFR 1910.180, ANSI B30.5, SAE J1063
 Mounting Plate is 16 3/4" square with a 14 3/4" square bolt pattern.

INCLUDED

Battery Power Cable 10 Ga. x 25 Ft. with toggle switch, switch bracket, terminal rings & fuse for the required DC power connection to vehicle.
 Bubble Level
 Crane-Truck Stability Plate
 Recommended Installation Instructions
 Owners Manual

REQUIRED

PTO, Pump, Reservoir and Hoses
 Pump should supply 6 GPM at 2750 PSI.
 Mounting Bolts Grade 8: 7/8" Dia. (4)
 Installer responsible for meeting OSHA stability requirements of 29 CFR -1910.180 (c)(1)
 Boom Rest (P.N. 27818 for service body or 24589 for flat bed)

RECOMMENDED

Adjustable pressure relief & flow control valves will ensure that the best optimum performance can be obtained.
 25K Outriggers for meeting vehicle stability requirements
 Minimum Recommended Vehicle GVWR 14,500 lbs.

Model / Item No.

2550XP 12-20	Power boom extension from 12 Ft. to 20 Ft.
39334	Wireless Radio Remote Control with E-Stop & audible signal function WEIGHT: Shipping 1620 lbs. Actual 1365 lbs.
24615	Receiver and wire harness for remote control of truck engine. Features include start, stop, engage high idle, and additional control for auxiliary equipment. This option is only available with wireless controlled cranes above 2,000 lbs. capacity

The 2550XP 12-20 is offered only as wireless proportional

HYDRAULIC POWERED CRANES

MODEL 3055DXP

SPECIFICATIONS

30,500 Ft.-Lbs. Moment Rating
 Maximum Capacity 5,500 Lbs. at 5.5 Ft. Load Radius
 Planetary Gear Winch - single line speed 31 fpm at 6 gpm
 Proportional Hydraulic Control System Standard
 Wireless Radio Remote Control with E-Stop & audible signal function
 Galvanized Aircraft Cable 3/8" x 95 Ft. (14,400 Lb. Breaking Strength)
 Traveling Block with Roller Bearing Swivel Safety Hook
 Power Rotation - Unlimited
 Boom Elevation - Full Power (-5 Deg. To 75 Deg.)
 Boom Extension - Full Power 10 Ft. - 20 Ft.
 Counter balance valve (holding valve on all cylinders)
 Overload Protection System
 Anti-Two Block System
 Meets requirements of 29 CFR 1910.180, ANSI B30.5, SAE J1063
 Mounting Plate is 16 3/4" square with a 14 3/4" square bolt pattern.

INCLUDED

Battery Power Cable 10 Ga. x 25 Ft. with toggle switch, switch bracket, terminal rings & fuse for the required DC power connection to vehicle.
 Bubble Level
 Crane-Truck Stability Plate
 Recommended Installation Instructions
 Owners Manual

REQUIRED

PTO, Pump, Reservoir and Hoses
 Pump should supply 8 GPM at 2750 PSI.
 Mounting Bolts Grade 8: 7/8" Dia. (4)
 Installer responsible for meeting OSHA stability requirements of 29 CFR -1910.180 (c)(1)
 Boom Rest (P.N. 27818 for service body or 24589 for flat bed)

RECOMMENDED

Adjustable pressure relief & flow control valves will ensure that the best optimum performance can be obtained.
 36K Outriggers for meeting vehicle stability requirements
 Minimum Recommended Vehicle GVWR 17,500 lbs.

Model / Item No.

3055DXP	Power boom extension from 10 Ft. to 20 Ft. Wireless Proportional (Standard)
39413	WEIGHT: Shipping 1945 lbs. Actual 1792 lbs.
24615	Receiver and wire harness for remote control of truck engine. Features include start, stop, engage high idle, and additional control for auxiliary equipment. This option is only available with wireless controlled cranes above 2,000 lbs. capacity

The 3550XP 12-20 is offered only as wireless proportional

HYDRAULIC POWERED CRANES

MODEL 3660XP

SPECIFICATIONS

36,000 Ft.-Lbs. Moment Rating
 Maximum Capacity 6,000 Lbs. at 6 Ft. Load Radius
 Worm Gear Winch - single line speed 19 fpm at 6 gpm
 Proportional Hydraulic Control System Standard
 Wireless Radio Remote Control with E-Stop & audible signal function
 Galvanized Aircraft Cable 3/8" x 95 Ft. (14,400 Lb. Breaking Strength)
 Traveling Block with Roller Bearing Swivel Safety Hook
 Power Rotation - Unlimited
 Boom Elevation - Full Power (-5 Deg. To 75 Deg.)
 Boom Extension - Power 10 Ft. - 16 Ft. ; Manual 16 Ft. - 20 Ft.
 Counter balance valve (holding valve on all cylinders)
 Overload Protection System
 Anti-Two Block System
 Meets requirements of 29 CFR 1910.180, ANSI B30.5, SAE J1063
 Mounting Plate is 16 3/4" square with a 14 3/4 " square bolt pattern.

INCLUDED

Battery Power Cable 10 Ga. x 25 Ft. with toggle switch, switch bracket, terminal rings & fuse for the required DC power connection to vehicle.
 Bubble Level
 Crane-Truck Stability Plate
 Recommended Installation Instructions
 Owners Manual

REQUIRED

PTO, Pump, Reservoir and Hoses
 Pump should supply 6 GPM at 2750 PSI.
 Mounting Bolts Grade 8: 7/8" Dia. (4)
 Installer responsible for meeting OSHA stability requirements of 29 CFR -1910.180 (c)(1)
 Boom Rest (P.N. 27818 for service body or 24589 for flat bed)

RECOMMENDED

Adjustable pressure relief & flow control valves will ensure that the best optimum performance can be obtained.
 36K Outriggers for meeting vehicle stability requirements
 Minimum Recommended Vehicle GVWR 17,500 lbs.

Model / Item No.

3660XP-20 39340	Power boom extension from 10 Ft. to 16 Ft. with Manual to 20 Ft. Wireless Radio Remote Control with E-Stop & audible signal function WEIGHT: Shipping 1775 lbs. Actual 1532 lbs.
24615	Receiver and wire harness for remote control of truck engine. Features include start, stop, engage high idle, and additional control for auxiliary equipment. This option is only available with wireless controlled cranes above 2,000 lbs. capacity
	OPTION: Remote Pendant Control (Wired) on above Proportional cranes 39339 MODEL 3660XP-20 HE

HYDRAULIC POWERED CRANES

MODEL 4064DXP

SPECIFICATIONS

40,000 Ft.-Lbs. Moment Rating
 Maximum Capacity 6,400 Lbs. at 6.2 Ft. Load Radius
 Planetary Gear Winch - single line speed 45 fpm at 8 gpm
 Proportional Hydraulic Control System Standard
 Wireless Radio Remote Control with E-Stop & audible signal function
 Galvanized Aircraft Cable 3/8" x 95 Ft. (14,400 Lb. Breaking Strength)
 Traveling Block with Roller Bearing Swivel Safety Hook
 Power Rotation - Unlimited
 Boom Elevation - Full Power (-5 Deg. To 75 Deg.)
 Boom Extension - Full Power (10 Ft. - 22 Ft. or 15 Ft. to 30 Ft.)
 Counter balance valve (holding valve on all cylinders)
 Overload Protection System
 Anti-Two Block System
 Meets requirements of 29 CFR 1910.180, ANSI B30.5 and SAE J1063
 Mounting Plate is 17 3/4" square with a 14 3/4" square bolt pattern

INCLUDED

Battery Power Cable 10 Ga. x 25 Ft. with toggle switch, switch bracket, terminal rings & fuse for the required DC power connection to vehicle.
 Bubble Level
 Crane-Truck Stability Plate
 Recommended Installation Instructions
 Owners Manual

REQUIRED

PTO, Pump, Reservoir and Hoses
 Pump should supply 8 GPM at 2750 PSI.
 Mounting Bolts Grade 8: 7/8" Dia. (4)
 Installer responsible for meeting OSHA stability requirements of 29 CFR -1910.180 (c)(1)
 Boom Rest (P.N. 27818 for service body or 24589 for flat bed)

RECOMMENDED

Adjustable pressure relief & flow control valves will ensure that the best optimum performance can be obtained.
 40K Outriggers for meeting vehicle stability requirements
 Minimum Recommended Vehicle GVWR 19,500 lbs.

Model / Item No.

4064DXP-22 39364	Power boom Extension from 10 Ft. to 22 Ft. WEIGHT: Shipping 2255 lbs. Actual 1960 lbs.
4064DXP-30 39368	Power boom Extension from 15 Ft. to 30 Ft. WEIGHT: Shipping 2835 lbs. Actual 2190 lbs.
24615	Receiver and wire harness for remote control of truck engine. Features include start, stop, engage high idle, and additional control for auxiliary equipment. This option is only available with wireless controlled cranes above 2,000 lbs. capacity

The 4064XP is offered with wireless proportional controls only.

HYDRAULIC POWERED CRANES

MODEL 5080XP

SPECIFICATIONS

50,000 Ft.-Lbs. Moment Rating
 Maximum Capacity 8,000 Lbs. at 6.25 Ft. Load Radius.
 Worm Gear Winch - single line speed 19 fpm at 6 gpm
 Proportional Hydraulic Control System Standard
 Wireless Radio Remote Control with E-Stop & audible signal function
 Galvanized Aircraft Cable 3/8" x 95 Ft. (14,400 Lb. Breaking Strength)
 Traveling Block with Roller Bearing Swivel Safety Hook
 Power Rotation - Unlimited
 Boom Elevation - Full Power (-5 Deg. To 75 Deg.)
 Boom Extension - Power 10 Ft. - 16 Ft. ; Manual 16 Ft. - 20 Ft.
 Counter balance valve (holding valve on all cylinders)
 Overload Protection System
 Anti-Two Block System
 Meets requirements of 29 CFR 1910.180, ANSI B30.5 and SAE J1063
 Mounting Plate is 16 3/4" Square with a 14 3/4" square bolt pattern

INCLUDED

Battery Power Cable 10 Ga. x 25 Ft. with toggle switch, switch bracket, terminal rings & fuse for the required DC power connection to vehicle.
 Bubble Level
 Crane-Truck Stability Plate
 Recommended Installation Instructions
 Owners Manual

REQUIRED

PTO, Pump, Reservoir, Filter and Hoses.
 8 GPM at 2750 PSI for optimal performance
 Mounting Bolts Grade 8: 1.00" Dia. (4)
 Installer responsible for meeting OSHA stability requirements of 29 CFR -1910.180 (c)(1)
 Boom Rest (P.N. 27818 for service body or 24589 for flat bed)

RECOMMENDED

Adjustable pressure relief & flow control valves will ensure that the best optimum performance can be obtained.
 50K Outriggers for meeting vehicle stability requirements
 Minimum Recommended Vehicle GVWR 20,000 lbs.

Model / Item No.

5080XP-20 39329	Power boom Extension from 10 Ft. to 16 Ft. with Manual to 20 Ft. Wireless Radio Remote Control with E-Stop & audible signal function WEIGHT: Shipping 1915 lbs. Actual 1692 lbs.
24615	Receiver and wire harness for remote control of truck engine. Features include start, stop, engage high idle, and additional control for auxiliary equipment. This option is only available with wireless controlled cranes above 2,000 lbs. capacity
	OPTION: Remote Pendant Control (Wired) on above Proportional cranes 39399 Model 5080XP-20 HE

HYDRAULIC POWERED CRANES

MODEL 60100DXP

SPECIFICATIONS

60,000 Ft.-Lbs. Moment Rating
 Maximum Capacity 10,000 Lbs. at 6 Ft. Load Radius.
 Planetary Gear Winch - single line speed 45 fpm at 8 gpm
 Proportional Hydraulic Control System Standard
 Wireless Radio Remote Controls with E-Stop & audible signal function
 Galvanized Aircraft Cable 7/16" x 100 Ft. (17,600 Lb. Breaking Strength)
 Traveling Block with Ball Bearing Swivel Safety Hook
 Power Rotation - Unlimited
 Boom Elevation - Full Power (-5 Deg. To 75 Deg.)
 Boom Extension - Full Power (12' - 24' or 15' to 30')
 Counter balance valve (holding valve on all cylinders)
 Overload Protection System
 Anti-Two Block System
 Meets requirements of 29 CFR 1910.180, ANSI B30.5, SAE J1063
 Mounting Plate is 21" Square with a 15.5" X 18.5" bolt pattern

INCLUDED

Battery Power Cable 10 Ga. x 25 Ft. with toggle switch, switch bracket, terminal rings & fuse for the required DC power connection to vehicle.
 Bubble Level
 Crane-Truck Stability Plate
 Recommended Installation Instructions
 Owners Manual

REQUIRED

PTO, Pump, Reservoir, Filter and Hoses.
 8 GPM at 2750 PSI for optimal performance
 Mounting Bolts Grade 8: 1.25" Dia. (4)
 Installer responsible for meeting OSHA stability requirements of 29 CFR -1910.180 (c)(1)
 Boom Rest (P.N. 27818 for service body or 24589 for flat bed)

RECOMMENDED

Adjustable pressure relief & flow control valves will ensure that the best optimum performance can be obtained.
 72K Outriggers for meeting vehicle stability requirements
 Minimum Recommended Vehicle GVWR 26,000 lbs.

Model / Item No.

60100DXP-24 39375	Power boom extension from 11 Ft. to 24 Ft. WEIGHT: Shipping 2927 lbs. Actual 2579 lbs.
60100DXP-30 39383	Power boom extension from 15 Ft. to 30 Ft. WEIGHT: Shipping 3315 lbs. Actual 2980 lbs.
24615	Receiver and wire harness for remote control of truck engine. Features include start, stop, engage high idle, and additional control for auxiliary equipment. This option is only available with wireless controlled cranes above 2,000 lbs. capacity

The 60100XP is offered with wireless proportional controls only.

HYDRAULIC POWERED CRANES

MODEL 72100DXP

SPECIFICATIONS

72,000 Ft.-Lbs. Moment Rating
 Maximum Capacity 10,000 Lbs. at 7.2 Ft. Load Radius.
 Planetary Gear Winch - single line speed 45 fpm at 8 gpm
 Proportional Hydraulic Control System Standard
 Wireless Radio Remote Controls with E-Stop & audible signal function
 Galvanized Aircraft Cable 7/16" x 100 Ft. (17,600 Lb. Breaking Strength)
 Traveling Block with Ball Bearing Swivel Safety Hook
 Power Rotation - Unlimited
 Boom Elevation - Full Power (-5 Deg. To 75 Deg.)
 Boom Extension - Full Power (12' - 24' or 15' to 30')
 Counter balance valve (holding valve on all cylinders)
 Overload Protection System
 Anti-Two Block System
 Meets requirements of 29 CFR 1910.180, ANSI B30.5, SAE J1063
 Mounting Plate is 21" Square with a 15.5" X 18.5" bolt pattern

INCLUDED

Battery Power Cable 10 Ga. x 25 Ft. with toggle switch, switch bracket, terminal rings & fuse for the required DC power connection to vehicle.
 Bubble Level
 Crane-Truck Stability Plate
 Recommended Installation Instructions
 Owners Manual

REQUIRED

PTO, Pump, Reservoir, Filter and Hoses.
 8 GPM at 2750 PSI for optimal performance
 Mounting Bolts Grade 8: 1.25" Dia. (4)
 Installer responsible for meeting OSHA stability requirements of 29 CFR -1910.180 (c)(1)
 Boom Rest (P.N. 26718 service body when stowing above horizontal, 22842 for flat bed)

RECOMMENDED

Adjustable pressure relief & flow control valves will ensure that the best optimum performance can be obtained.
 72K Outriggers for meeting vehicle stability requirements
 Minimum Recommended Vehicle GVWR 30,000 lbs.

Model / Item No.

72100DXP-24 39366	Power boom extension from 11 Ft. to 24 Ft. WEIGHT: Shipping 3145 lbs. Actual 2580 lbs.
72100DXP-30 39400	Power boom extension from 15 Ft. to 30 Ft. WEIGHT: Shipping 3375 lbs. Actual 2985 lbs.
24615	Receiver and wire harness for remote control of truck engine. Features include start, stop, engage high idle, and additional control for auxiliary equipment. This option is only available with wireless controlled cranes above 2,000 lbs. capacity

The 72100XP is offered with wireless proportional controls only

BOOM RESTS

NOTE: Part numbers for the options of boom rests can also be found under Specifications Required for each Crane Model. A boom rest is required for all power rotation cranes. Boom rests are designed to hold the boom in a nearly horizontal position. A loop is included for attaching the hook except on cranes 5,000 lbs. capacity and above as these have a hook on the boom.

These boom rests are designed for typical body configurations. For custom applications, please contact Liftmoore. Sufficient reinforcement of the body or flat bed is required.

BOOM REST - SERVICE BODY MOUNT

Item Number

27860	REST, BOOM SA 5.0" AH 14"-19" BASE WIDTH=20.0" 206-4000 For use with Models 206REL, 208EL, 2700AR, 3200, 1032, 3612, 4000, 1640
27818	REST, BOOM SA 7.0" AH 18"-27" BASE WIDTH=22.0" 5000-60100 For use with Models 5000, 2550, 3055, 6036, 3660, 4064, 5080, and 60100
24913	REST, BOOM SA 7.0" AH 23"-35" BASE WD=22.0" 5000-60100 W/BC For use with Models 5000, 2550, 3055, 6036, 3660, 4064, 5080, and 60100 when stowed above horizontal
26718	REST, BOOM SA 8.0" AH 25"-37" BASE WIDTH=22.5" 72100 W/BC For use with Model 72100 when stowed above horizontal

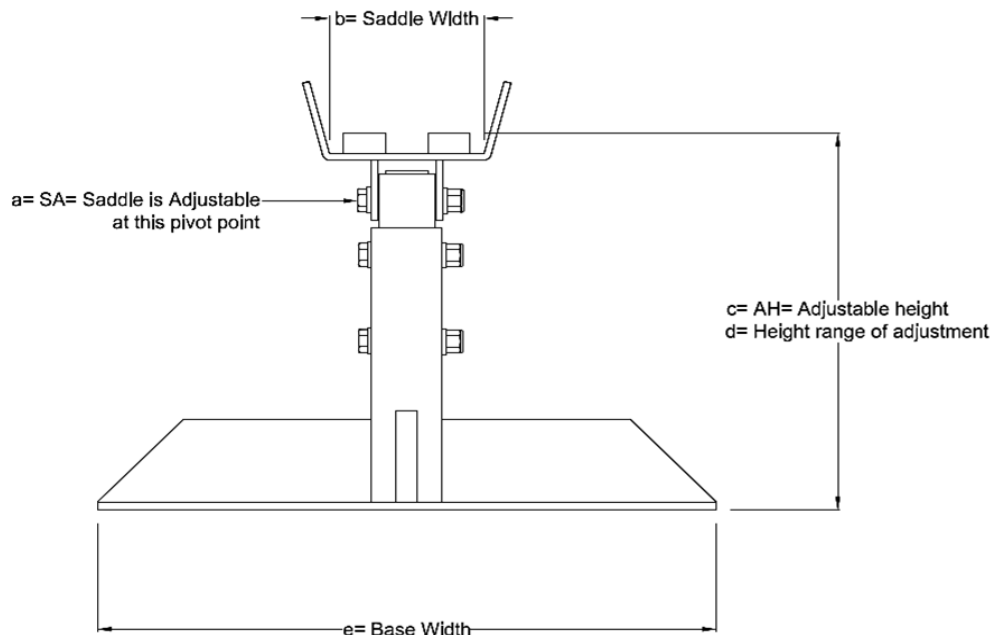
Boom rest descriptions are used to define how it is configured

First Line Description

- a = SA = Saddle is Adjustable to match the boom angle
- b = 5.0" = The maximum boom width that the saddle is designed to handle
- c = AH = Adjustable height
- d = 14"-19" = The height range between which the saddle is adjustable

Second Line Description

- e = BASE WIDTH = 20.0" - Length of the angle iron of the base that corresponds to the compartment top
- 206REL - 4000 - Crane models or range of crane models that works with the boom rest
- W/BC - For use when crane will be stowed over stowed above horizontal (over bottle comprmt)



BOOM RESTS

NOTE: Part numbers for the options of boom rests can also be found under Specifications Required for each Crane Model
 A boom rest is required for all power rotation cranes. Boom rests are designed to hold the boom in a nearly horizontal position.
 A loop is included for attaching the hook except on cranes 5,000 lbs. capacity and above as these have a hook on the boom.
 These boom rests are designed for typical body configurations. For custom applications, please contact Liftmoore.
 Sufficient reinforcement of the body or flat bed is required.

BOOM REST - FLAT BED MOUNT

Item Number

- 22167** REST, BOOM SF 3.0" VH FLAT BED
 BASE 6" X 6" 2000 / 206R
 Specify height when ordering. For use with Models 2000 and 206R (Not 206REL).

- 22158** REST, BOOM SF 5.0" VH FLAT BED
 BASE 6" X 6" 206REL - 4000
 Specify height when ordering. For use with Models 206REL, 208EL, 2700AR, 3200, 1032, 3612, 4000, 1640

- 24589** REST, BOOM SF 7.0" VH FLAT BED
 BASE 6" X 6" 5000 - 60100
 Specify height when ordering. For use with Models 5000, 2550, 3055, 6036, 3660, 4064, 5080, and 60100

- 22842** REST, BOOM SF 8.0" VH FLAT BED
 BASE 6" X 6" 72100
 Specify height when ordering. For use with Model 72100

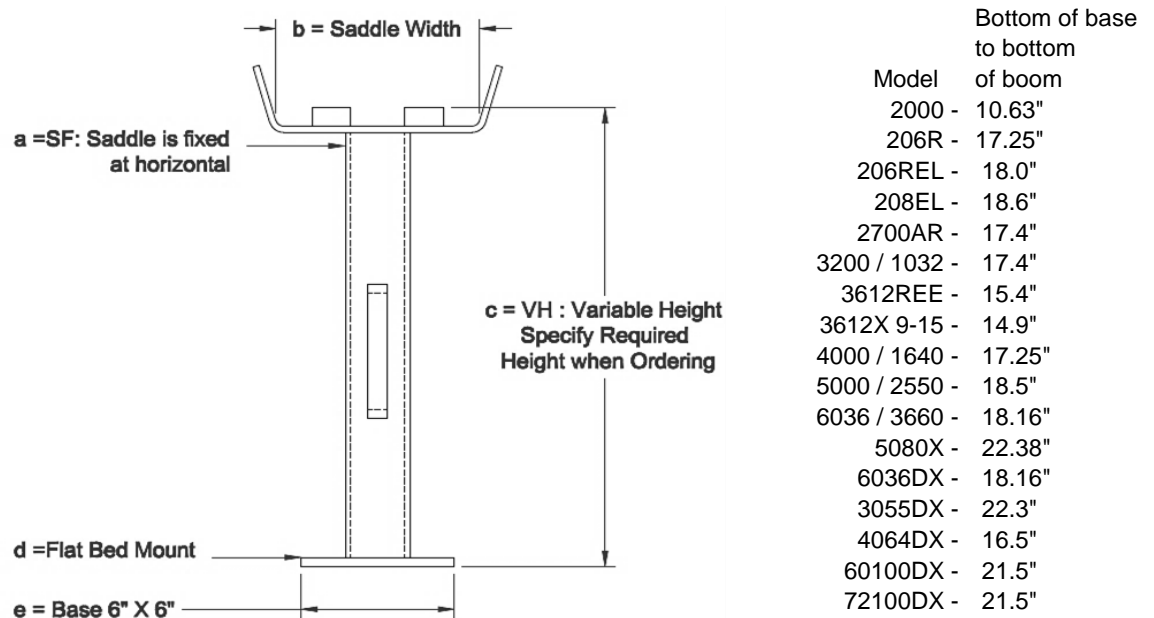
Boom rest descriptions are used to define how it is configured

First Line Description

- a = SF = Saddle is Fixed assuming horizontal stowing of the boom
- b = 5.0" = The maximum boom width that the saddle is designed to handle
- c = VH = Variable height, to be determined at time of order
- d = FLAT BED = Designates these are designed for use on other than a compartment top

Second Line Description

- e = BASE 6" X 6" - The dimensions of the base plate of the boom rest are noted
- 206REL - 4000 - Crane models or range of crane models the boom rest works with



JACKSTANDS

NOTE: 12K, 18K, 25K & 36K refer to the crane moment rating in 1,000 Ft.-Lbs.

Item Number

- 30328** JACKSTAND, 12K OVERCENTER
RIGHT SIDE
- 38638** JACKSTAND, 12K OVERCENTER
LEFT SIDE
- 38518** JACKSTAND, 12K OVERCENTER VH
HEIGHT UNDER BODY = ____" L.S.
- 31131** JACKSTAND, 12K DROP DOWN TUBE
w/SCREW BASE - PERMANENT MOUNT
- 30329** JACKSTAND, 36K OVERCENTER
RIGHT SIDE
- 38658** JACKSTAND, 36K OVERCENTER
LEFT SIDE
- 38517** JACKSTAND, 36K OVERCENTER VH
HEIGHT UNDER BODY = ____" L.S.

OUTRIGGER DESCRIPTION & DEFINITION

Outrigger Descriptions are used to indicate how the Outrigger is configured
Understanding this will assist you in selecting the Correct Outrigger

Sample Description and its meaning

OUTRIGGER, 40K 36CHOHD-12SHOHD

40K Indicates the capacity of the Outrigger Package (i.e. 40,000 ft.-Lbs.)

36 Indicates the movement in inches Outrigger extends.

C Indicates the side of truck movement occurs on C = Curb Side

H Indicates the type of movement H = Hydraulic, M = Manual, FX = Fixed

O Indicates direction of movement O = Out

H Indicates type of Jack H = Hydraulic, C = Crank, NJ = No Jack

D Indicates direction of movement D = Down

12 Indicates the movement in inches Outrigger extends.

S Indicates the side of truck movement occurs on S = Street Side

H Indicates the type of movement H = Hydraulic, M = Manual, FX = Fixed

O Indicates direction of movement O = Out

H Indicates type of Jack H = Hydraulic, C = Crank, NJ = No Jack

D Indicates direction of movement D = Down

OUTRIGGERS

Manual In/Out & Hand Crank Up/Down Operation

Item Number

38885	OUTRIGGER, 12K 30CMOCD-SFXNJ WEIGHT: Shipping 235 lbs. Actual 175 lbs.
38860	OUTRIGGER, 12K 25CMOCD-15SMOCD (79" Body Width) WEIGHT: Shipping 265 lbs. Actual 185 lbs.
38862	OUTRIGGER, 12K 30CMOCD-15SMOCD (89" Body Width) WEIGHT: Shipping 285 lbs. Actual 175 lbs.
38851	OUTRIGGER, 12K 30CMOCD-15SMOCD (94" Body Width) WEIGHT: Shipping 285 lbs. Actual 178 lbs.
38955	OUTRIGGER, 12K 25CMOCD-25SMOCD (94" Body Width) WEIGHT: Shipping 265 lbs. Actual 170 lbs.
38980	OUTRIGGER, 18K 36CMOCD-SFXCD (95" Body Width) WEIGHT: Shipping 305 lbs. Actual 215 lbs.
39028	OUTRIGGER, 18k 36CMOCD-12SMOCD (95" Body Width) WEIGHT: Shipping 315 lbs. Actual 275 lbs.
38426	OUTRIGGER, 25K 36CMOCD-12SMOCD (90" Body Width) WEIGHT: Shipping 515 lbs. Actual 344 lbs.
38427	OUTRIGGER, 25K 36CMOCD-12SMOCD WEIGHT: Shipping 520 lbs. Actual 354 lbs.
38962	OUTRIGGER, 25K 24CMOCD-24SMOCD WEIGHT: Shipping 525 lbs. Actual 355 lbs.
38038	OUTRIGGER, 40K 36CMOCD-12SMOCD WEIGHT: Shipping 535 lbs. Actual 395 lbs.
38702	OUTRIGGER, 40K 24CMOCD-24SMOCD WEIGHT: Shipping 565 lbs. Actual 443 lbs.
38312	OUTRIGGER, 50K 36CMOCD-12SMOCD WEIGHT: Shipping 620 lbs. Actual 454 lbs.
38421	OUTRIGGER, 50K 24CMOCD-24SMOCD WEIGHT: Shipping 620 lbs. Actual 458 lbs.
38804	OUTRIGGER, 72K 48CMOCD-SFXCD WEIGHT: Shipping 625 lbs. Actual 504 lbs.

See page 37 for Description & Definitions of Outriggers

OUTRIGGERS

Manual In/Out & Hydraulic Up/Down Operation Both Sides Extend

These outriggers are offered with manual pull out and hydraulic up/down jacks
The outrigger package includes diverter valve for selecting either outrigger or crane operation,
lever operated directional control valve with hoses and fittings for cylinder to control valve only.

Item Number

38461	OUTRIGGER, 25K 36CMOHD-12SMOHD WEIGHT: Shipping 585 lbs. Actual 429 lbs.
38443	OUTRIGGER, 25K 24CMOHD-24SMOHD WEIGHT: Shipping 585 lbs. Actual 430 lbs.
38588	OUTRIGGER, 40K 36CMOHD-12SMOHD WEIGHT: Shipping 610 lbs. Actual 493 lbs.
38590	OUTRIGGER, 50K 36CMOHD-12SMOHD WEIGHT: Shipping 620 lbs. Actual 531 lbs.
39098	OUTRIGGER, 50K 24CMOHD-24SMOHD WEIGHT: Shipping 625 lbs. Actual 535 lbs.
38719	OUTRIGGER, 72K 36CMOHD-12SMOHD WEIGHT: Shipping 640 lbs. Actual 583 lbs.

PUMP KIT

For hydraulic operation outriggers when no other hydraulic system is available.

This is most commonly used with a 12V DC powered crane

The pump kit includes: electric hydraulic pump with starter solenoid and control switch.

Item Number

34198	KIT, OUTRIG HYD. PUMP 12V 25K+ USE WITH HYDRAULIC OUTRIGGER
--------------	--

See page 37 for Description & Definitions of Outriggers

OUTRIGGERS

Hydraulic In/Out and Hydraulic Up/Down Operation Both Sides Extend

These outriggers are offered with power in/out extension and Power Up/Down Jacks
The outrigger package includes diverter valve for selecting either outrigger or crane operation,
lever operated directional control valve with hoses and fittings for cylinder to control valve only.

Item Number

39276	OUTRIGGER, 25K 36CHOHD-12SHOHD WEIGHT: Shipping 590 lbs. Actual 476 lbs.
39223	OUTRIGGER, 25K 20CHOHD-20SHOHD WEIGHT: Shipping 590 lbs. Actual 483 lbs.
39279	OUTRIGGER, 40K 36CHOHD-12SHOHD WEIGHT: Shipping 645 lbs. Actual 568 lbs.
39227	OUTRIGGER, 40K 20CHOHD-20SHOHD WEIGHT: Shipping 635 lbs. Actual 525 lbs.
39282	OUTRIGGER, 50K 36CHOHD-12SHOHD WEIGHT: Shipping 685 lbs. Actual 593 lbs.
39230	OUTRIGGER, 50K 20CHOHD-20SHOHD WEIGHT: Shipping 690 lbs. Actual 596 lbs.
39283	OUTRIGGER, 72K 36CHOHD-12SHOHD WEIGHT: Shipping 725 lbs. Actual 615 lbs.
39229	OUTRIGGER, 72K 20CHOHD-20SHOHD WEIGHT: Shipping 728 lbs. Actual 618 lbs.

PUMP KIT

For hydraulic operation outriggers when no other hydraulic system is available.

This is most commonly used with a 12V DC powered crane

The pump kit includes: electric hydraulic pump with starter solenoid and control switch.

Item Number

34198	KIT, OUTRIG HYD. PUMP 12V 25K+ USE WITH HYDRAULIC OUTRIGGER
--------------	--

See page 37 for Description & Definitions of Outriggers

OUTRIGGERS

Hydraulic In/Out and Hydraulic Up/Down Operation

Extends Curb side only, Street side Fixed

These outriggers are offered with power in/out extension and Power Up/Down Jacks
The outrigger package includes diverter valve for selecting either outrigger or crane operation,
lever operated directional control valve with hoses and fittings for cylinder to control valve only.

Item Number

- 39278** OUTRIGGER, 25K 36CHOHD-SFXHD
WEIGHT: Shipping 590 lbs. Actual 405 lbs.
- 38675** OUTRIGGER, 40K 36CMOHD-SFXHD
WEIGHT: Shipping 605 lbs. Actual 433 lbs.
- 39281** OUTRIGGER, 40K 36CHOHD-SFXHD
WEIGHT: Shipping 610 lbs. Actual 430 lbs.
- 39219** OUTRIGGER, 40K 42CHOHD-SFXHD
NOTE: INTERNAL HOSES FOR THE DOWN CYLINDERS
WEIGHT: Shipping 585 lbs. Actual 400 lbs.
- 39402** OUTRIGGER, 72K 42CHOHD-SFXHD
NOTE: INTERNAL HOSES FOR THE DOWN CYLINDERS

PUMP KIT

For hydraulic operation outriggers when no other hydraulic system is available.

This is most commonly used with a 12V DC powered crane

The pump kit includes: electric hydraulic pump with starter solenoid and control switch.

Item Number

- 34198** KIT, OUTRIG HYD. PUMP 12V 25K+
USE WITH HYDRAULIC OUTRIGGER

See page 37 for Description & Definitions of Outriggers

ACCESSORIES

PEDESTALS - FOR FLAT BED MOUNTING

Designed to match the mounting requirements of crane.
 Heights up to 36 inches can be supplied at the below prices.
 For taller pedestals contact Liftmoore. Advise height when ordering.

Item Number

18375	PEDESTAL, 12K FT-LB 24"+ HEIGHT:___" FOR ABOVE 24"
22796	PEDESTAL, 12K FT-LB 24"- HEIGHT:___" FOR 24" & BELOW
34076	PEDESTAL, 16K FT-LB HEIGHT:_____"
32624	PEDESTAL, 25K/36K FT-LB/24"+ HEIGHT:_____ " FOR ABOVE 24"
23176	PEDESTAL, 40K FT-LB / 24"+ HEIGHT:_____ " FOR ABOVE 24"
33654	PEDESTAL, 50K FT-LB / 24"+ HEIGHT:_____ " FOR ABOVE 24"
22807	PEDESTAL, 72K FT-LB VH HEIGHT:_____ " FOR ABOVE 24"

MOUNTING PLATES

Mounting plates are for welding onto the truck body. They are fabricated to fit under the crane matching the bolt pattern and cutouts needed.

Item Number

30684	PLATE, MOUNTING L-21F/L-22/206 0.50" x 12" x 12" drilled for L-Series.
30685	PLATE, MOUNTING 2700/3200 MACH 0.50" x 15" x 15" for 208, 2000A, 2700, 3200 & 1032.
16698	PLATE, MOUNTING 4000 MACH 0.75" x 15" x 15" for 4000 & 1640
31821	PLATE, MOUNTING 25K/36K MACH. 0.75" x 16.75" x 16.75" for 5000, 2550, 3055, 6036, & 3660
22136	PLATE, MOUNTING 4064 MACH 0.75" x 17.75" x 17.75" for 4064
33905	PLATE, MOUNTING 50K MACH. 1.00" x 16.75" x 16.75" for 5080.
21954	PLATE, MOUNTING 72K MACH. 1.25" x 21" x 21" for 60100 & 72100.

ACCESSORIES

RECOMMENDED HYDRAULIC COMPONENTS

Item Number

- 24211** KIT, RESERVOIR 10G. W/FILTER
 10 Gallon hydraulic reservoir with return line filter, no hoses or fittings. (40 Lbs.)
 Maximum 6 gpm system with only a crane
- 27369** VALVE, RELIEF ASSY W/FITTINGS
 Adjustable Pressure Relief Valve for all hydraulic cranes
- 24679** VALVE, VARIABLE FLOW CONTROL
 For all hydraulic cranes - no fittings

SERVICE TOOLS

- 26684** TOOL, CRANE DIAGNOSTIC WIFI
- 26304** BOX, PENDANT TEST
- 26386** ADAPTER, WIRE 14-PIN TO 10-PIN
 WIRES HARNESS USE W/26304
- 26391** WRENCH, LOCKNUT WELDMENT AN-19
 Fits 2700,3200 & 1032
- 26503** WRENCH, LOCKNUT WELDMENT AN-20
 Fits 4000 & 1640
- 26681** TOOL, CRIMP DEUTSCH
- 18759** EXTRACTOR, DEUTSCH 16 GA PIN
- 27348** KIT, PALM PILOT DIAGNOSTICS
- 26905** GAUGE, FLOW METER
 Adjustable Flow Meter, to test hydraulic system fittings not included.
- 26906** PRESSURE GAUGE, 0-5000 PSI
 Liquid Filled, to test hydraulic system, fittings not included
- TTCT-1001** EWH, REPROGRAMMING KTFM

LIFTMOORE LIMITED WARRANTY

Parts and Structural

Liftmoore, Inc. warrants each LIFTMOORE crane to be free from defects in materials and workmanship for twelve (12) months from the date of delivery to the original customer. Under the terms of this warranty the crane structural components manufactured by LIFTMOORE, Inc. are warranted for thirty-six (36) months from the date of delivery to the original customer. LIFTMOORE, Inc. will repair or replace, as its sole discretion, any equipment or part that is returned f.o.b. to LIFTMOORE, Inc.'s plant at 7810 Pinemont Drive, Houston, Texas 77040, or to one of its authorized dealers, and is found by LIFTMOORE, Inc. or its authorized dealer to have been defective at the time of original delivery.

The foregoing warranty is the exclusive warranty made by LIFTMOORE, Inc. with respect to its cranes and is in lieu of all other warranties. ANY AND ALL OTHER WARRANTIES, EXPRESS OR IMPLIED, INCLUDING ANY WARRANTY OF MERCHANTABILITY OR FITNESS OF ANY CRANE FOR A PARTICULAR PURPOSE OR OPERATION, ARE HERBY EXPRESSLY DISCLAIMED.

The foregoing warranty applies only to LIFTMOORE cranes under normal use and service and does not apply in the event of damage caused by repair or alteration or damage during shipment, accident, negligence, overloading, or misuse, including operator's failure to follow any of the instructions issued with the crane.

This warranty is limited to the original purchaser and is not assignable. In order to submit a claim, the original purchaser must provide a copy of the original invoice for the crane in question within twelve (12) months following the delivery date and within 30 days from the date of repair.

The warranty applies only when the LIFTMOORE crane is used for commercial purposes and does not cover any purchase for use for personal, family or household purposes.

LIMITATION OF LIABILITY: LIFTMOORE, Inc.'s liability for any losses or damages resulting from any cause whatsoever, including LIFTMOORE, Inc.'s NEGLIGENCE or from a defective crane irrespective of whether such defects are discoverable or latent, shall in no event exceed the purchase price of the crane to which losses or damages are claimed, or at the election of LIFTMOORE, Inc., the repair or replacement of the defective crane.

In no event shall LIFTMOORE, Inc. be liable for any special, incidental, or consequential damages, including commercial losses or costs of any kind sustained by purchaser or any other person or for any damages for which purchaser may be liable to other persons by reason of any defect in any LIFTMOORE crane or any part thereof.

LIFTMOORE, Inc. reserves the right to make changes in design or construction of its cranes at any time without obligating itself to make such changes on cranes previously manufactured.

No agent, employee, or representative of LIFTMOORE, Inc. has authority to amend or modify the foregoing warranty or to bind LIFTMOORE, Inc. by any other warranty, guaranty, or assumption of liability.

In the event any provision of this warranty is for any reason held ineffective, the remaining provisions shall remain in full force and effect.

Some states do not allow limitations on how long an implied warranty lasts or the exclusion or limitation of incidental or consequential damages, so the above limitations and exclusions may not apply to you. This warranty gives you specific legal rights, and you may also have other legal rights that vary from state to state.

