

HOUSTON, TEXAS [WWW.LIFTMOORE.COM](http://WWW.LIFTMOORE.COM)  
PHONE: (713) 688-5533 • FAX: (713) 688-6324  
FAX: (800) 824-5559 (USA & CANADA)

# Installation Instructions

## Model 2525/2550/3660/3055 Series

P/N 22426

### **! ATTENTION !**

KEEP THIS MANUAL WITH THE CRANE. OPERATION INSTRUCTIONS ARE CONTAINED IN A SEPARATE MANUAL. NEW OPERATORS SHOULD READ AND BE FAMILIAR WITH THE OPERATING INSTRUCTIONS BEFORE OPERATING THIS CRANE.

ORDER PARTS USING PART NUMBER, CRANE MODEL NUMBER AND CRANE SERIAL NUMBER TO ASSURE ACCURACY OF ORDERS.

# MODEL 2525/2550/3660/3055 INSTALLATION INSTRUCTIONS

## TABLE OF CONTENTS

Crane Installation Instructions.....	F1359-F .....	2-3
Mounting Pattern 2525/2550/3660/3055.....	DWG. 50654-C .....	4
Electrical Installation .....	DWG. 50378-A .....	5
Hydraulic Installation .....	DWG. 50026-A .....	6
Engine Control Receiver Installation .....	F1214-B .....	7
Stability Procedure .....	F691-H.....	8-9

# MODEL 2525/2550/3660/3055 INSTALLATION INSTRUCTIONS

Read and understand these instructions completely before starting the work.



# MODEL 2525/2550/3660/3055 INSTALLATION INSTRUCTIONS

Read and understand these instructions completely before starting the work.

Before installing make sure you have all necessary parts. Please refer to the Owner's manual Section 4-1 for the list of parts required for installation. Report any shortages to Liftmoore, Inc. immediately.

1. The mounting surface for the crane must be capable of supporting the rated moment and the maximum load of the crane listed below:

2525: 25000 Ft.-Lbs.	2500 Lbs.
2550: 25000 Ft.-Lbs.	5000 Lbs.
3660: 36000 Ft.-Lbs.	6000 Lbs.
3055: 30000 Ft.-Lbs.	5500 Lbs.

2. Layout the mounting holes for the crane as shown in the drawing No. 50654. Cut the center hole for the crane swivel as shown on this drawing. Mount the crane with four 7/8" bolts of at least Grade 8 quality.

3. A manual disconnect toggle switch with mounting bracket and terminals is provided with the crane. This switch will act as the main power disconnect for the crane. Removing power from the crane during periods of non-use will help to increase the life of the crane's electrical components. The switch should be mounted as near as possible to the crane and in a position which will facilitate its use. Determine the appropriate mounting position for the switch and use the supplied terminals to splice in to the crane's main power cable. Drawing No. 50378 illustrates how to install the disconnect switch and fuse.

4. Install the 30 Amp fuse, which is supplied with the crane, near the battery on the positive line. This fuse is to protect the battery in event of an accidental grounding of the positive wire. Use a section of the wire and the terminals supplied to connect between the battery and the circuit breaker. See drawing No. 50378-A.

5. Run the 10 Ga. battery cable along the inside of the chassis frame to the positive battery terminal and connect it to the battery through the in-line fuse. Install the fuse as close as possible to the battery. See that the cable is protected avoiding sharp edges and heat sources such as the muffler or catalytic converter. Use loom for protection whenever the cable passes through the body. Use the terminal supplied and connect the cable to the bolt located between the pipe nipples in the center of the swivel under the crane.

6. Be certain that the crane and the battery are grounded to the truck chassis. A good ground must exist for the crane to work.

## HYDRAULIC COMPONENT INSTALLATION

The following description applies to Liftmoore's Hydraulic Installation Drawing No. 50026.

These cranes require a pump driven by the vehicle's engine. Pumps can be either Power Take Off or Fan Belt drive. For best, smoothest operation the pump needs to supply 6 GPM at 3000 PSI with the engine at 1000 RPM. An example of this pump is Muncie's PK6. At 600 RPM it delivers 3.5 GPM and at 1000 RPM it delivers 6 GPM.

Do not use pumps that will deliver more than 6 GPM at engine speed. 10 GPM is the maximum flow acceptable to the valves in the crane. If a larger pump is installed on the vehicle for other functions, use a pressure compensated flow control valve to restrict the flow to the crane as required above.

A wire control or solenoid throttle advance can be used to increase the engine speed. Liftmoore can supply a solenoid throttle advance kit (Part No. 32592) that includes a control switch to be mounted near the crane. On engines with electronic throttles, the solenoid throttle advance cannot be used, check with the dealer for throttle advance information. Engine speed, start and stop control can be included in the pendant control box if ordered.



## MODEL 2525/2550/3660/3055 INSTALLATION INSTRUCTIONS, Cont.

A reservoir of at least 10 gallon capacity is recommended. Reservoir capacity will need to be enlarged for increased running time. For run times of 15 minutes or less the 10 gallon capacity is adequate. For longer duty cycles the reservoir size should be increased.

The reservoir should be equipped with a suction line strainer, return line diffuser, and filler/breather cap. A sight gage for displaying fluid level is also advisable. Locate the reservoir as close to the pump as possible and as high as possible above the pump.

A relief valve should be installed at the pump's output to protect the pump from pressure surges. The crane incorporates a relief valve to protect its valves and hoses.

For up to 9 GPM flow the minimum suction line hose size is 1" ID. For the pressure line a 5/8" ID hose is needed. For the return line between the crane and reservoir a 3/4" ID is advised. Hose sizes can be reduced for lower flows.

A 10 Micron return line filter should be installed in a location that allows convenient access to the replaceable cartridge.

7. Connect the hydraulic hoses to the fittings projecting below the crane. The pressure hose must be connected to the port marked "P" (No. 8 size fitting). This is the smaller of the two fittings. The return line to the tank must be connected to the port marked "T" (No. 10 fitting). This is the larger of the two fittings. The port letters are stamped on the bottom of the swivel.

8. DO NOT RUN OIL THROUGH THE CRANE UNTIL THE OIL HAS BEEN FILTERED. A nipple matching the crane fittings is included. Connect the supply and return lines together using this nipple, circulate the oil through the filter to insure a clean supply. After the pump has filtered 1.5 times the reservoir capacity, hook the hoses to the crane. It is now ready to run.

9. Verify that the anti-two-block will stop extension out and winch up when the weight on the device is lifted by either function. Make sure that the weight is on the live or running wire rope. The Crane Assembly drawing in the owner's manual Section 4-2 illustrates how the weight should be installed on the line.

10. READ AND UNDERSTAND THE OPERATOR'S MANUAL BEFORE OPERATING THE CRANE. Operate the crane through all its functions. Check that each switch operates the correct function. Verify speed of the unit with the crane's operation manual.

11. A boom support is required for this crane. Place the support so that the traveling block hook is secured and does not block the truck cab door. On boom rests supplied by Liftmoore the boom is held down by tension on the hoist wire rope.

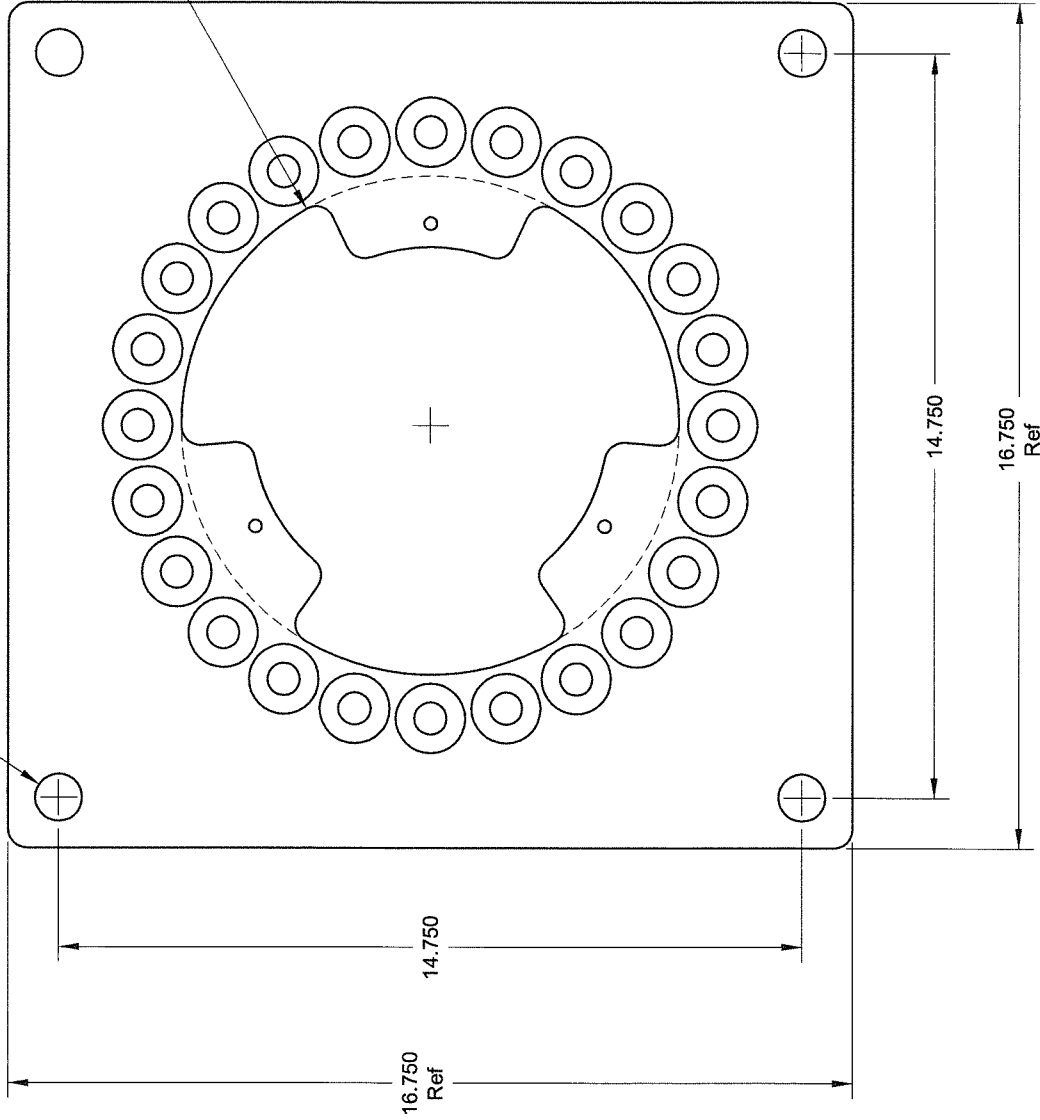
12. An outrigger must be installed to keep the crane as level as possible under all expected working conditions. Keeping the crane level reduces the loads on the rotation gear. This will also protect the truck's springs, axle and wheels when heavy loads are suspended from the crane. OSHA requirements require a stability test be performed on this installation. See Form 691 in this manual for information on performing this test.

13. Extra rear spring leaves or heavy coil springs may be needed to keep the truck level when the crane is mounted on corner or off center locations.

14. Load Chart Decal #22379 for the 2550 or #22380 for the 3660 is to be placed on the truck body for easy visibility by the user.



Ø0.930  
4 PLACES



Ø9.880  
CLEARANCE FOR  
CRANE SWIVEL

16.750  
Ref

14.750

14.750

16.750  
Ref

Houston TX  
(713)-688-5533  
www.liftmoore.com

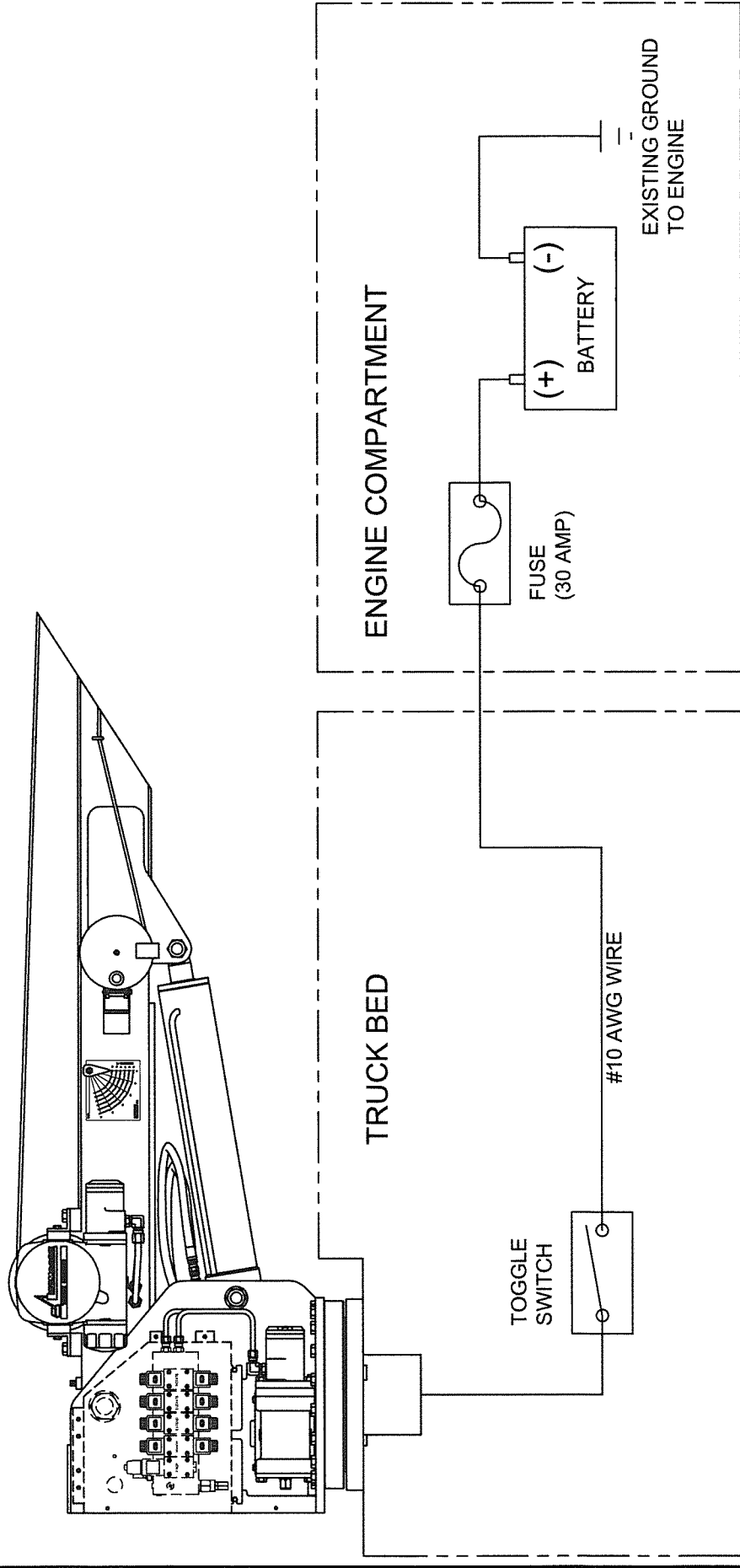
DRAWN BY: JC  
DATE: 09/11/08


BASE PLATE 2525/2550/3660/3055

DRAWING NO.  
50654-C

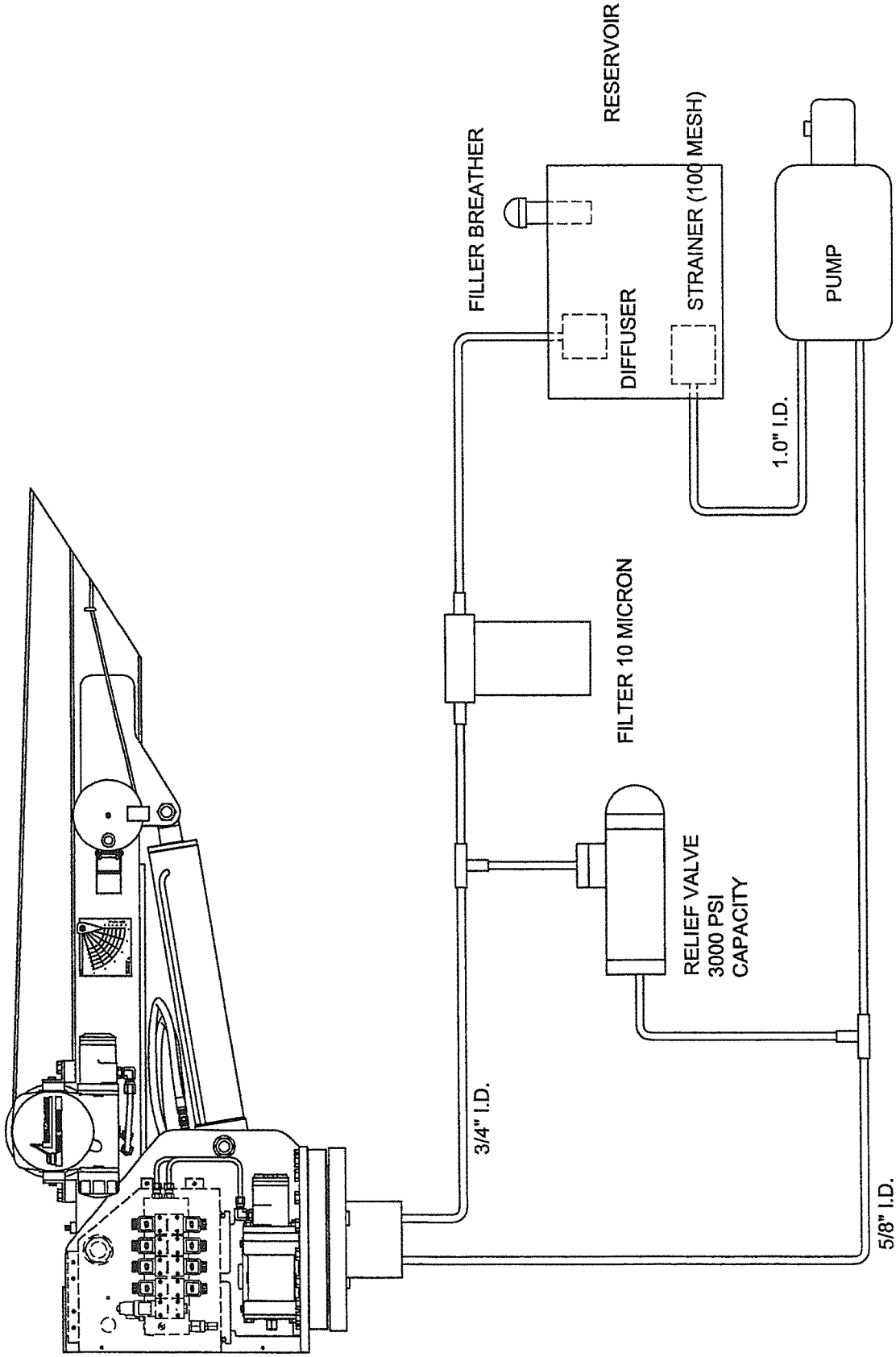


SUGGESTED WIRING SCHEMATIC FOR LIFTMOORE HYDRAULIC CRANE INSTALLATION



	Houston TX (713)-688-5533 www.liftmoore.com	DRWN BY: TV DATE: 03/02/06	SCHEM, CRANE ELEC. INSTAL-HYDR	DRAWING NO. <b>50378-A</b>
---	---	-------------------------------	--------------------------------	-------------------------------

SUGGESTED HYDRAULIC SCHEMATIC FOR LIFTMOORE HYDRAULIC CRANE INSTALLATION



DRAWING NO. 50026-A

SCHEM, CRANE HYD. INSTAL-HYD

DRWN BY: TV  
DATE: 03/02/06

Houston, TX  
(713)-688-5533  
www.liftmoore.com



## OPTIONAL ENGINE CONTROL RECEIVER INSTALLATION

The engine control functions allow the user to start and stop the engine and also advance the idle, all from the crane remote pendant control.

The following instructions provide a general guideline for installing and wiring the receiver. Since engine controls vary from manufacture to manufacturer and even from year to year, it is impossible for Liftmoore to maintain specific information on your vehicle. You will have to contact the vehicle and/or engine manufacturer (contact information is provided below). Also, many new vehicles have a provisions for remote engine control built into the ECU, but these functions must be activated and/or programmed buy a dealer or authorized service center.

### MOUNTING THE RECEIVER

The receiver should be mounted vertically with the antenna up. For best reception, it should be mounted in line of site of operator. Since interfacing connections will generally be inside the cab, a good mounting place is the inside, back the cab with the antenna visible though the back glass. The receiver can be mounted outside of the cab, however it should NOT be mounted inside the engine compartment because of interference generated by the engine.

### ENGINE START

Engine start is accomplished by splicing the brown wire on the engine receiver control harness with the ECU start circuit.

### WARNING!

Engine start may bypass some manufactures safety functions such as clutch or neutral interlock. It is the installer's responsibility to ensure safe and proper installation.

### ENGINE STOP

If the ECU is not equipped with a remote engine kill circuit then a normally closed relay must be installed in the ECU power or engine run circuit. The gray wire on the engine control receiver harness is then connected to the solenoid coil. Activating the circuit will open the solenoid, killing the engine.

### NOTE!

It is advisable to include a small jumper wire that can be installed to bypass the solenoid should it fail, otherwise the engine would not run.

### ADVANCED IDLE

Many new diesel engines have an advanced idle control circuit built into to the ECU. Some automatically advance the idle when the PTO is activated. This feature may have to be activated and/or programmed by the dealer.

### NOTE!

Some engines also require activating a PTO circuit to prevent "Service Engine Soon" or other erroneous errors during PTO operation.

For gas engines or engines without this feature, an after-market throttle advance will have to be purchased separately.

## CONTACT INFORMATION

Your truck or engine dealer should be able to provide you with further assistance. Also check the manufacturer's body builder manual (some provided online). Before calling, please have your vehicles make, model, year, engine size and manufacturer, and VIN if available.

Ford Body Builders Advisory Service	1.877.840.4338
GM Upfitter Integration	1.800.875.4742
Peterbilt	1.940.591.4000
Caterpillar	1.800.847.4986
Cummins	1.800.343.7357

[www.fleet.ford.com/truckbbas](http://www.fleet.ford.com/truckbbas)  
[www.gmupfitter.com](http://www.gmupfitter.com)





## VEHICLE STABILITY TEST

OSHA (29CFR 1910.180c) requires a stability test be completed by the installer. A qualified person shall perform this test. Please call Liftmoore for any assistance required in completing this test.

### TEST PREPARATIONS:

- Use as level of a test site as possible.
- Engage parking brake on vehicle.
- Set outriggers, jackstands, or other stability device in place.
  - Vehicle tires should remain in contact with the ground.
  - The vehicle should be level.

### FILL OUT TEST FORM:

- Complete the Vehicle Information and Crane Information data at the top of Page 2 of this form.
- Use a known weight to determine the *Initial Testing Load Radius*. Write this number on all 3 locations on Page 2 of this form.

### TEST PROCEDURE:

#### **Determine Area Y Angle**

1. With the crane extended to the *Initial Testing Load Radius* over the rear of the truck, lift the load. Keep the load less than 4" off of the ground.
2. Rotate the load counterclockwise. Monitor all vehicle tires to ensure they remain in contact with the test surface.
3. When one of the vehicle's tires breaks contact with the ground, stop the rotation.
4. Use a protractor to determine this angle. Write this angle on the Stability Test Results as *Area Y*.

#### **Determine Area W1 Length**

5. Keeping the load off of the ground, retract or elevate the boom until all tires are in contact with the test surface.
6. Continue rotating the load counterclockwise while monitoring all vehicle tires.
7. When one of the vehicle's tires breaks contact with the ground, stop the rotation.
8. Keeping the load off of the ground, retract or elevate the boom until all tires are in contact with the test surface.
9. Repeat this procedure until either the vehicle prevents further rotation or a 180 degree rotation of the load is reached.
10. Record the load radius in feet at this point on page 2 of this form as *Area W1 Length*.
11. Calculate the *W1 % Rated Capacity*.
12. Write the *W1 % Rated Capacity* in the Stability Test Results on Page 2 of this form.

#### **Determine Area Z Angle**

13. Return the load to the rear of the vehicle and extend the load to the *Initial Testing Load Radius*. Keep the load less than 4" off of the ground.
14. Rotate the load clockwise. Monitor all vehicle tires to ensure they remain in contact with the test surface.
15. When one of the vehicle's tires breaks contact with the ground, stop the rotation.
16. Use a protractor to determine this angle and write this angle on the Stability Test Results as *Area Z*.

#### **Determine Area W2 Length**

17. Keeping the load off of the ground, retract or elevate the boom until all tires are in contact with the test surface.
18. Continue rotating the load clockwise while monitoring all vehicle tires.
19. When one of the vehicle's tires breaks contact with the ground, stop the rotation.
20. Keeping the load off of the ground, retract or elevate the boom until all tires are in contact with the test surface.
21. Repeat this procedure until either the vehicle prevents further rotation or a 180 degree rotation of the load is reached.
22. Record the load radius in feet at this point on page 2 of this form as *Area W2 Length*.
23. Calculate the *W2 % Rated Capacity*.
24. Write the *W2 % Rated Capacity* in the Stability Test Results on Page 2 of this form.

#### **Record Stability Test Results on Placard**

25. Record the information from the Stability Test Results on the CRANE TRUCK STABILITY plate (P.N. 18600) and install the plate in a visible position on the vehicle, preferably near the crane.

**THIS TEST IS NOW COMPLETE**

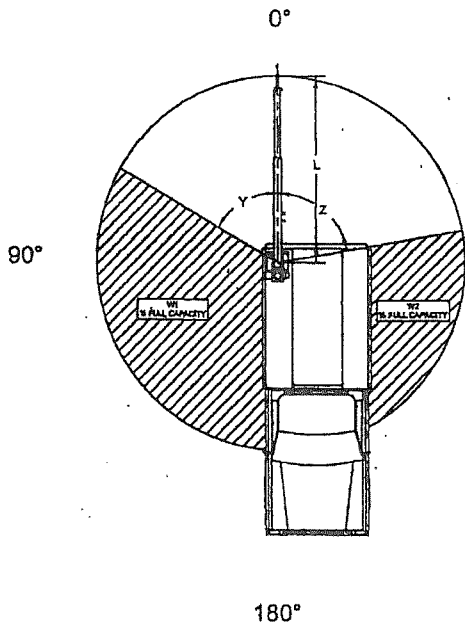
## STABILITY TEST FORM

Operational limits of this vehicle

VEHICLE INFORMATION	CRANE INFORMATION
Year _____	Model _____
Make _____	Serial Number _____
Model _____	Moment Rating (ft-lbs.) _____
VIN _____	_____

Determine The *Testing Load Radius* by using the following:

Moment Rating (ft-lbs.) \_\_\_\_\_  
 Multiply by 1.18 x \_\_\_\_\_  
 Divide by known weight + \_\_\_\_\_  
*Testing Load Radius* (ft.) = \_\_\_\_\_



**Area W1 Length** \_\_\_\_\_  
**Testing Load Radius (ft.)** + \_\_\_\_\_  
 Multiply by 100 x \_\_\_\_\_  
**W1 % Rated Capacity** = \_\_\_\_\_

**Area W2 Length** \_\_\_\_\_  
**Testing Load Radius (ft.)** + \_\_\_\_\_  
 Multiply by 100 x \_\_\_\_\_  
**W2 % Rated Capacity** = \_\_\_\_\_

STABILITY TEST RESULTS	
Area Y:	_____ Degrees
Area Z:	_____ Degrees
Area W1 Rated Capacity:	_____ %
Area W2 Rated Capacity:	_____ %

Test performed by: \_\_\_\_\_

Date: \_\_\_\_\_