

HOUSTON, TEXAS www.liftmoore.com
PHONE: (713) 688-5533 • FAX: (713) 688-6324
FAX: (800) 824-5559 (USA & CANADA)

Operating & Installation Instructions

Manual Out / Crank Down 50K Ft.-Lb. Outriggers

!ATTENTION!

KEEP THIS MANUAL WITH THE CRANE. OPERATION INSTRUCTIONS ARE CONTAINED IN A SEPARATE MANUAL. NEW OPERATORS SHOULD READ AND BE FAMILIAR WITH THE OPERATING INSTRUCTIONS BEFORE OPERATING THIS CRANE.

ORDER PARTS USING PART NUMBER, CRANE MODEL NUMBER AND CRANE SERIAL NUMBER TO ASSURE ACCURACY OF ORDERS.

**TABLE OF CONTENTS
P/N 20610**

**MANUAL OUT / CRANK DOWN
50K FT.-LB. OUTRIGGERS**

<u>DESCRIPTION</u>	<u>LOCATION</u>
TABLE OF CONTENTS.....	FORM 1019-C / P.2
OPERATING INSTRUCTIONS.....	FORM 1019-C / P.3
INSTALLATION INSTRUCTIONS	FORM 1019-C / P.4
CENTER TUBE DIMENSIONS TABLE	FORM 1964-0 / P.5
INSTALLATION DRAWING	DRAWING 50512-B
OUTRIGGER ASSEMBLY DRAWING	DRAWING 58118-B
DETENT PIN ASSEMBLY	DRAWING 32492-C



OPERATING INSTRUCTIONS

MANUAL OUT / CRANK DOWN 50K FT.-LB. OUTRIGGERS

Before using the crane, the outriggers must be set properly. It is advised that the front wheels of the truck are blocked and the parking brake set to prevent the truck from rolling.

Always keep the truck as level as possible when operating the crane. Set the outriggers on firm ground that will not yield under load.

Check for overhead obstructions and especially for electrical wires. The crane must always be more than 10 Feet away from electrical wires.

Raise the outrigger detent pin and pull the outrigger out until the pin is engaged in the stop hole. Do not use the outrigger unless this pin is fully engaged. There are only two positions for the pull out section, either fully retracted or fully extended.

Manually lower the innermost telescoping portion of the jack by raising the "U" shaped handle. This handle releases the pins holding the manual outrigger section in place. After lowering, make sure the pins are set by pushing down on the handle until it contacts the jack's outer tube. Then crank the jack until there is lifting of the truck bed. The higher the truck, the less the truck must tilt to counterbalance the crane and its load. Leave the truck wheels in contact with the ground. Set the opposite side outrigger using the same method.

The outrigger is set and the crane is ready for use.

NOTE: At no time should the tire on the opposite side from the lifting side be raised above the ground. If the tire rises, relocate the truck closer to the load to prevent this.

Do not operate the crane until you have read and understand the crane's operation as explained in the manual.

To put up the outrigger, crank the outrigger so that the cranked section is fully raised, then raise the manual portion by lifting the "U" shaped handle and raising the manual section. Make sure the pins engage the manual section and that the handle is again in its down position. Lift the detent pin and slide the outrigger in. Make sure the detent pin is engaged into the outrigger. The outrigger can slide out during a sharp turn if the detent pin is not engaged.



INSTALLATION INSTRUCTIONS

MANUAL OUT / CRANK DOWN 50K FT.-LB. OUTRIGGERS

Refer to Drawing No. 50512 for outrigger layout.

Read these instructions completely before starting installation.

This kit includes the outrigger center tube with manual pull-out sections, and crank down jack(s).

Before mounting the outrigger center tube, orient the outrigger so that the longer manual pull out section is on the same side of the truck as the crane.

IMPORTANT: The outrigger center tube must be supported at the truck frame, at its outer end under the crane's structural support, and at the end opposite the crane. The center tube should not be supported by the body sheet metal.

Locate the outrigger as close to the crane as possible.

1. Set the outrigger with clearance from the truck body so that the pull out or extendable portion will clear the body when fully retracted. Set the vertical height so that the outrigger will be able to penetrate at least 6" below the ground. The outrigger jack is 24" long when retracted. It extends a maximum length of 50". The crank travel length is 13" and the total extension is 25".
2. Fabricate an "L" shaped mounting bracket for welding to the truck frame (also see drawing for center tube dimensions). The bracket is not furnished. Weld the cross tube securely to the bracket. This will provide support for the outrigger at the truck frames.
3. Weld the outer end of the cross tube securely to the crane support structure using 4" channel or stronger steel bars. This outer end of the cross tube must be supported to carry the crane load and prevent bending of the center tube, and/or truck body. This should be done below the crane and on the side opposite the crane.
4. Check the outrigger for operation. Especially note that the detent pins on the pull out and drop down sections fully engage in all operating positions.

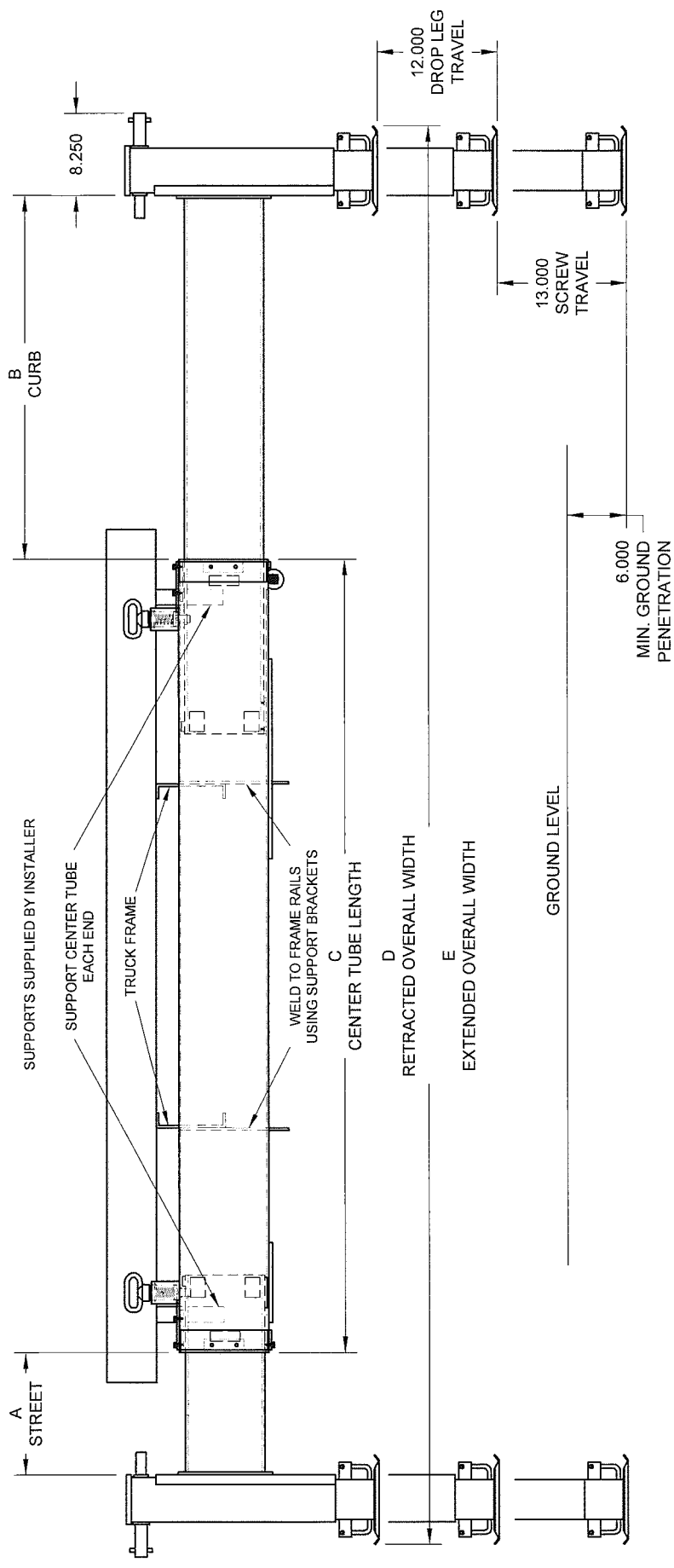
Place labels on the crank down jacks warning of crushing injury. The outrigger is ready for use!



**OUTRIGGERS CENTER TUBE
DIMENSIONS TABLE**

<i>Outrigger Model</i>	<i>Center Tube Size</i>
<i>Outrigger 10K</i>	<i>2.50" X 5.00" X 0.18" W</i>
<i>Outrigger 12K</i>	<i>2.50" X 5.00" X 0.18" W</i>
<i>Outrigger 18K</i>	<i>4.00" X 6.00" X 0.25" W</i>
<i>Outrigger 25K</i>	<i>5.00" X 7.00" X 0.18" W</i>
<i>Outrigger 36K</i>	<i>6.00" X 8.00" X 0.18" W</i>
<i>Outrigger 50K</i>	<i>7.00" X 9.00" X 0.18" W</i>
<i>Outrigger 72K</i>	<i>8.00" X 10.00" X 0.25" W</i>





MODEL	DESCRIPTION	DIMENSION A	DIMENSION B	DIMENSION C	DIMENSION D	DIMENSION E
38312	36CMOCD-12SMOCD	12"	36"	79.5"	94.5"	142.5"
38317	36CMONJ-SFXNJ	0"	36"	77.5"	78.25"	114.25"
38421	24CMOCD-24SMOCD	24"	24"	77.5"	92.75"	140.75"
38720	48CMOCD-SFXCD	0"	48"	79.5"	94.25"	142.25"



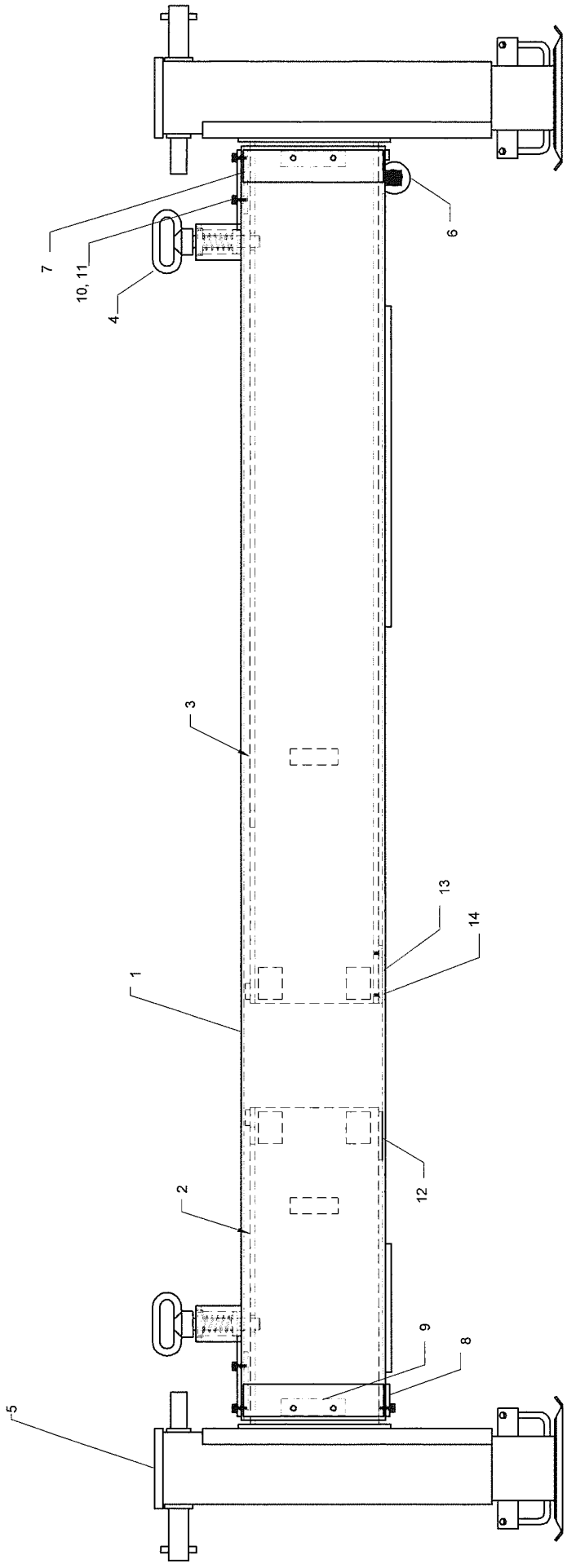
Houston TX
 (713)-688-5533
 www.iftmoore.com

DRWN BY: JC
 DATE: 9/05/08

OUTRIGGER 50K MOCD INST

DRAWING NO.

50512-B



ITEM	DESCRIPTION	OUTRIGGER							
		38312 QTY	38317 QTY	38421 QTY	38720 QTY	38312 QTY	38317 QTY	38421 QTY	38720 QTY
1	CENTER OUTR.	19366	34043	17093	21067				
2	STREET SIDE OUTR.	16575	NONE	17566	NONE				
3	CURB SIDE OUTR.	34044	34044	17565	21069				
4	DETENT ASSY	32492	32492	32492	32492	2	2	2	1
5	CRANK DOWN JACK	15560	NONE	15560	15560	2	2	2	2
6	ROLLER ASSEMBLY	34021	34021	34021	34021	2	2	2	1
7	TOP SPACER	18639	18639	18639	18639	2	2	2	1
8	BOTTOM SPACER	33951	NONE	NONE	NONE				
9	SIDE SPACER	16820	16820	16820	16820	2	2	2	1
10	SCREW	30457	30457	30457	30457	14	6	12	6
11	LOCK WASHER	30889	30889	30889	30889	14	6	12	6
12	ST. NYLON PAD	NONE	NONE	33950	33950	1	1	1	NONE
13	CURB NYLON PAD	33950	34032	33950	34032	1	1	1	1
14	SCREW	33614	33614	33614	33614	4	4	8	4

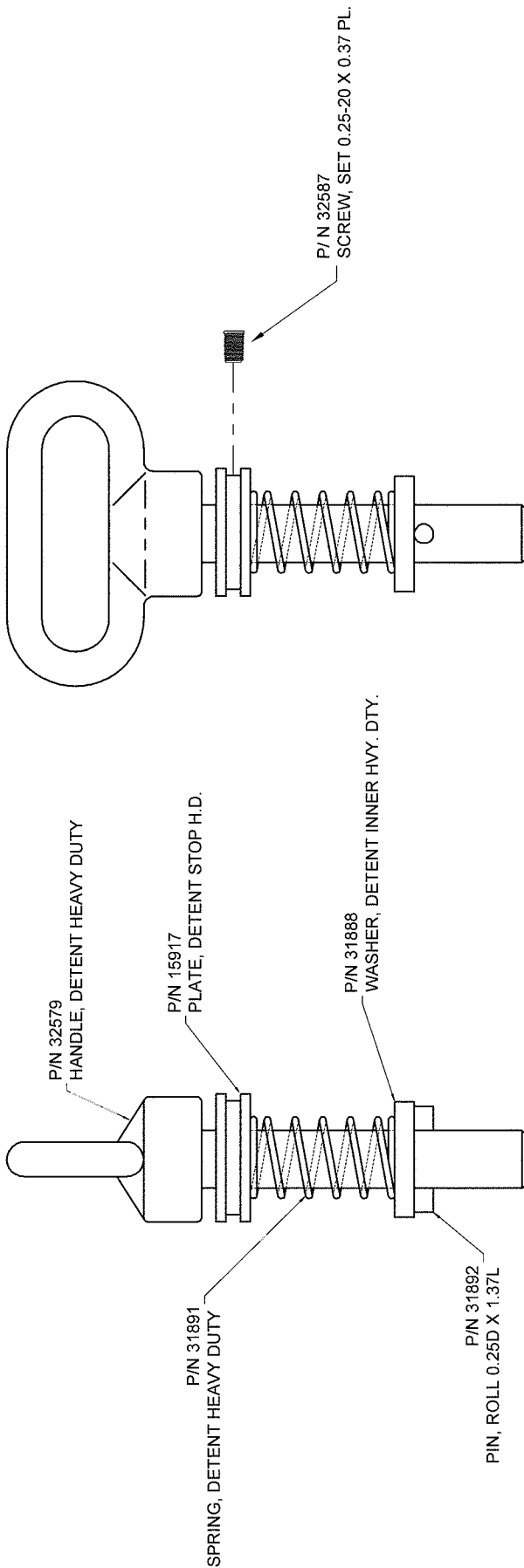
*SEE INSTALLATION DRAWING FOR OUTRIGGER MODEL NUMBER DESCRIPTION

OUTRIGGER 50K MOCD PARTS LIST

DRWN BY: JC
DATE: 9/05/08

Houston TX
(713)-688-5533
www.liftmoore.com





Houston TX
 (713)-688-5533
 www.liftmoore.com



DRWN BY: JC
 DATE: 01/24/07

DETENT, INNER ASSEMBLY H.I.D.

DRAWING NO.
 32492-C