

HOUSTON, TEXAS WWW.LIFTMOORE.COM
PHONE: (713) 688-5533 • FAX: (713) 688-6324
FAX: (800) 824-5559 (USA & CANADA)

Operating & Installation Instructions

Hydraulic Out / Hydraulic Down 36k ft.lbs. Outriggers

(This manual is also used for HOHD-FXHD and FXHD-FXHD)

!ATTENTION!

KEEP THIS MANUAL WITH THE CRANE. OPERATION INSTRUCTIONS ARE CONTAINED IN A SEPARATE MANUAL. NEW OPERATORS SHOULD READ AND BE FAMILIAR WITH THE OPERATING INSTRUCTIONS BEFORE OPERATING THIS CRANE.

ORDER PARTS USING PART NUMBER, CRANE MODEL NUMBER AND CRANE SERIAL NUMBER TO ASSURE ACCURACY OF ORDERS.

TABLE OF CONTENTS
P/N 20527

HYDRAULIC OUT / HYDRAULIC DOWN
36k ft.lbs. OUTRIGGER

<u>DESCRIPTION</u>	<u>LOCATION</u>
TABLE OF CONTENTS.....	FORM 1107-H / P.2
OPERATING INSTRUCTIONS.....	FORM 1107-H / P.3
INSTALLATION INSTRUCTIONS.....	FORM 1107-H / P.4
CENTER TUBE DIMENSIONS TABLE.....	FORM 1964-0 / P.5
INSTALLATION DRAWING.....	DRAWING 50510-G
OUTRIGGER ASSEMBLY DRAWING.....	DRAWING 58107-G
HYDRAULIC SCHEMATIC (HOHD-HOHD).....	DRAWING 50468-0
HYDRAULIC SCHEMATIC (HOHD-FXHD).....	DRAWING 50500-A



OPERATING INSTRUCTIONS

HYDRAULIC OUT / HYDRAULIC DOWN OUTRIGGER

36k ft.lbs.

Always keep the truck as level as possible when operating the crane. Set the outriggers on firm ground that will not yield under load.

Check for overhead obstructions and especially for electrical wires. The crane must always be more than 10 Feet away from any electrical wires.

Set the truck's parking brake before operating either the outrigger or crane. Insert wheel chocks under the front wheels before setting up the outrigger.

Start the engine and set the pump to supply fluid to the crane and outrigger.

Set the diverter valve to send flow to the outrigger directional control valve.

A multiple bank directional control valve operates the outrigger extension and jack cylinders. First, move the directional control valve levers to extend the outriggers. Always fully extend the outriggers.

WARNING: The jack cylinders will crush anything underneath them. Check that everyone and everything is clear of the jacks before they are lowered.

Next, use the directional valve to extend the jack cylinders. Lower the jack until there is lifting of the truck bed. The higher the truck, the less the truck must tilt to counter-balance the crane and its load. Leave the truck wheels in contact with the ground.

Do not move the outrigger extension in or out without raising the jack cylinder off the ground. Doing this can damage the jack cylinder.

The outrigger is set and the crane is ready for use. After setting the jack cylinders, shift the diverter valve to supply hydraulic power to the crane. Do not change the diverter valve until crane operation has ceased.

NOTE: At no time should the tire on the opposite side from the lifting side be raised off of the ground. If this occurs and you are sure the load is within the rating of the crane's load radius chart, relocate the truck closer to the load.

Do not move the truck with the jack cylinders extended. Bending and breakage may occur. Retract the jack and power extend cylinders completely before moving the truck.

Do not operate the crane until you have read and understand the crane's operation as explained in the crane's owner/operator manual.

To store the outrigger, raise the outrigger jack so that the hydraulic cylinders are fully retracted. Then use the directional valve to retract the power extend sections.



INSTALLATION INSTRUCTIONS

HYDRAULIC OUT / HYDRAULIC DOWN OUTRIGGER 36k ft.lbs.

Read these instructions completely before starting installation.

A kit for an outrigger with hydraulic out-hydraulic down (HOHD-HOHD) includes an outrigger center tube with two power extend sections, two hydraulic jack cylinders, a four-spool directional valve, a diverter valve, hoses and fittings needed to connect these items. Hoses for the pump to outrigger connection are not included. Since this manual is not used exclusively for one outrigger, the number of extend sections and the directional valve will be different. A kit for an outrigger with one side fixed and hydraulic down (HOHD-FXHD) includes a three-spool directional valve instead of a four-spool directional valve. A two-spool directional valve is used for an outrigger with both sides fixed and hydraulic down (FXHD-FXHD).

Before mounting the outrigger center tube, orient the outrigger so that the longer power extend section is on the same side of the truck as the crane. Also, plan the hose routing to the jack cylinders. A gap must be left to allow these hoses to flex whenever the power extend sections of the outrigger are moved in or out from the body.

IMPORTANT: The outrigger center tube must be supported at the truck frame, at its outer end under the crane's structural support, and at the end opposite the crane. The center tube should not be supported by the body sheet metal.

After the center tube is mounted, position the hydraulic jack cylinders so that they will extend at least 6" below ground level when the truck is level. Stroke of the jack cylinders is 20 inches. Mount the jack cylinders to the power extend sections using the four 1/2-13 x 4.0" Grade 8 Cap Screws supplied.

Refer to drawing No. 50468 (two power extensions), No. 50500 (one power extension either side) for hydraulic schematic detail. Mount the diverter valve and directional control valves for convenient operation. The diverter valve is used to send hydraulic fluid *either* to the crane *or* to the outrigger. Installation of this valve will prevent inadvertent operation of the jack cylinders when the crane is being used.

Note the "In" and "Out" ports on the directional control valve. Connect the valve "In" port to the pump pressure port. Connect the "Out" port to return flow to the reservoir through a 10-micron filter.

Make up hoses as needed using the hose and reusable hose ends supplied. Hoses may be switched at the valve bank to coordinate the valve lever movement and cylinder direction.

Hydraulic flow to the outriggers should be limited to 2.5 GPM. At this flow rate the jack cylinder will move its 20" stroke in approximately 15 seconds. Higher flows may result in noisy operation.

Fill with hydraulic oil and bleed air out by fully extending the cylinders. We use Chevron AW Hydraulic Oil 46 or equivalent. When operating for the first time, it is best to extend all cylinders completely without stopping. This will evacuate the air from the cylinder's rod end and less air will be trapped in the rod end if this is done.

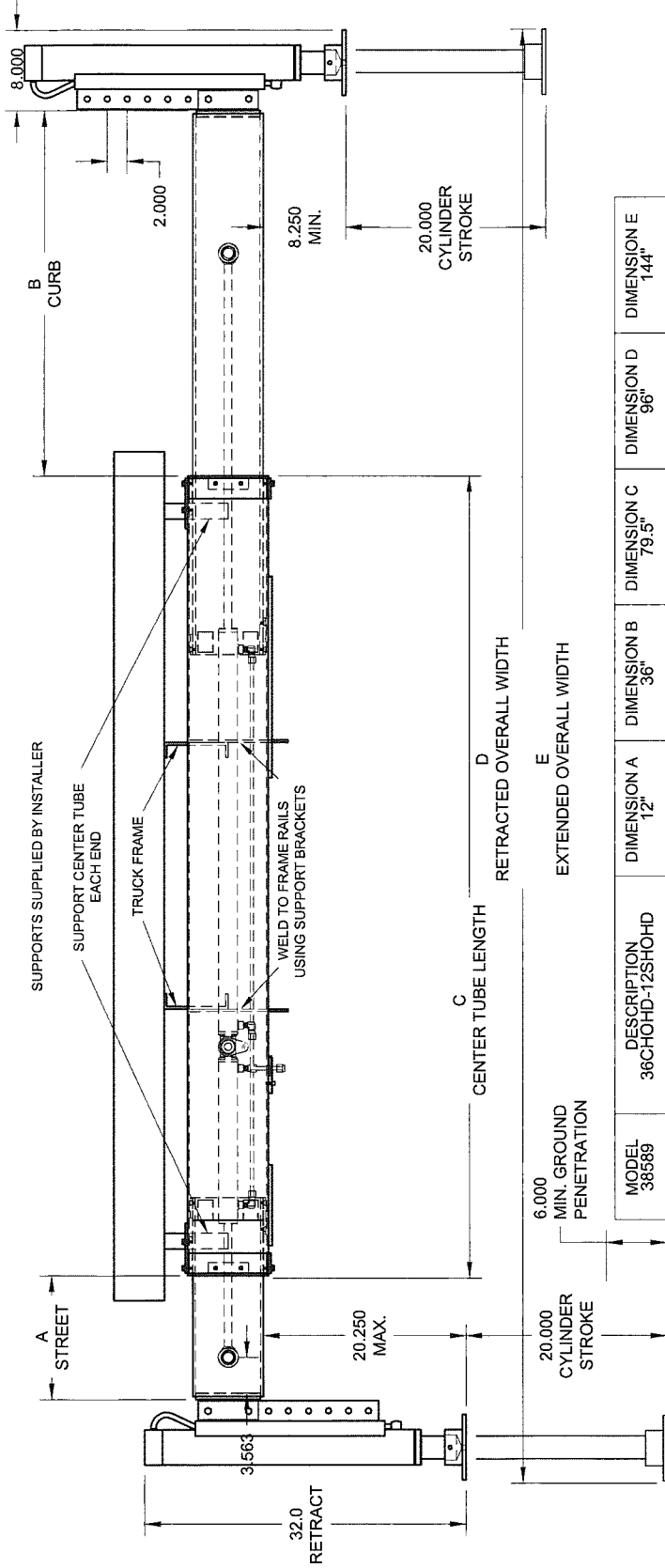
Place labels on the jack cylinder warning of crushing injury. Check the outrigger for operation. Especially note that the hydraulic lines for the jack cylinders do not get pinched when extending and retracting the power extend sections. The outrigger is ready for use!



**OUTRIGGERS CENTER TUBE
DIMENSIONS TABLE**

<i>Outrigger Model</i>	<i>Center Tube Size</i>
<i>Outrigger 10K</i>	<i>2.50" X 5.00" X 0.18" W</i>
<i>Outrigger 12K</i>	<i>2.50" X 5.00" X 0.18" W</i>
<i>Outrigger 18K</i>	<i>4.00" X 6.00" X 0.25" W</i>
<i>Outrigger 25K</i>	<i>5.00" X 7.00" X 0.18" W</i>
<i>Outrigger 36K</i>	<i>6.00" X 8.00" X 0.18" W</i>
<i>Outrigger 50K</i>	<i>7.00" X 9.00" X 0.18" W</i>
<i>Outrigger 72K</i>	<i>8.00" X 10.00" X 0.25" W</i>





MODEL	DESCRIPTION	DIMENSION A	DIMENSION B	DIMENSION C	DIMENSION D	DIMENSION E
MODEL 38589	36CHOHD-12SHOHD	12"	36"	79.5"	96"	144"
MODEL 38610	36CHOHD-12SHOHD	12"	36"	79.5"	96"	144"
MODEL 38616	36CHOHD-SFXHD	0"	36"	79.5"	96"	132"
MODEL 39226	20CHOHD-20SHOHD	20"	20"	79.5"	96.5"	136.5"
MODEL 38633	36CHOHD-12SHOHD	12"	36"	79.5"	96"	144"
MODEL 38641	36CHOHD-12SHOHD	12"	36"	79.5"	96"	144"
MODEL 39227	20CHOHD-20SHOHD	20"	20"	79.5"	96.5"	136.5"
MODEL 38845	DESCRIPTION CFXHD-36SHOHD	36"	0"	79.5"	96"	132"
MODEL 38943	DESCRIPTION 36CHOHD-SFXHD	0"	36"	79.5"	96"	132"
MODEL 38982	DESCRIPTION 36CHOHD-SFXHD	0"	36"	79.5"	96"	132"
MODEL 39160	DESCRIPTION 12CHOHD-36SHOHD	36"	12"	79.5"	96"	144"
MODEL 39191	DESCRIPTION 36CHOHD-11SHOHD	12"	36"	79.5"	96"	144"

OUTRIGGER 36K HOHD INST

DRAWING NO.

50510-G

DRAWN BY: JC

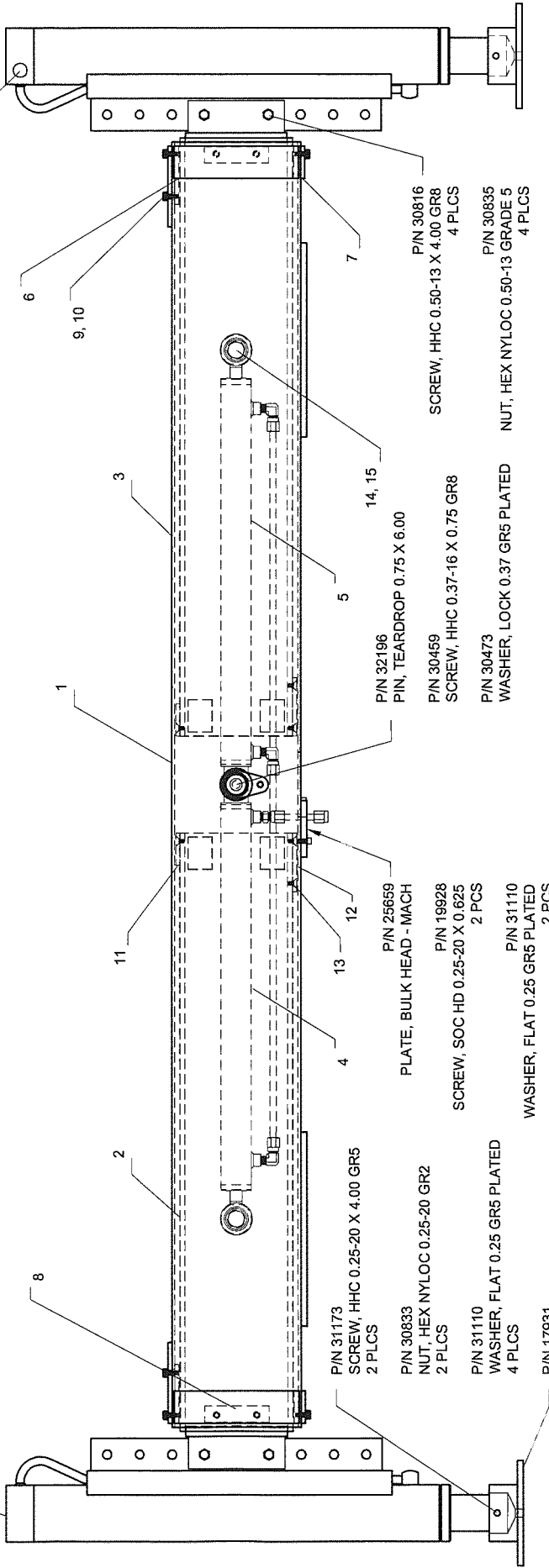
DATE: 09/21/09

Houston TX
 (713)-688-5533
 www.liftmoore.com



P/N 17621
CYLINDER, 3.0 X 20.0 X 2.25 JS
2 PLCS

P/N 31591
VALVE, P.O. CHECK CARTRIDGE



P/N 31173
SCREW, HHC 0.25-20 X 4.00 GR5
2 PLCS

P/N 30833
NUT, HEX NYLOC 0.25-20 GR2
2 PLCS

P/N 31110
WASHER, FLAT 0.25 GR5 PLATED
4 PLCS

P/N 17931
BASE, JACK HYD. 25K OUTRIGGER
2 PLCS

P/N 25659
PLATE, BULK HEAD - MACH

P/N 19928
SCREW, SOC HD 0.25-20 X 0.625
2 PCS

P/N 31110
WASHER, FLAT 0.25 GR5 PLATED
2 PCS

P/N 32196
PIN, TEARDROP 0.75 X 6.00

P/N 30459
SCREW, HHC 0.37-16 X 0.75 GR8

P/N 30473
WASHER, LOCK 0.37 GR5 PLATED

P/N 19323
WASHER, FLAT 0.50 SAE GR8
8 PLCS

P/N 30816
SCREW, HHC 0.50-13 X 4.00 GR8
4 PLCS

P/N 30835
SCREW, HHC 0.50-13 GRADE 5
4 PLCS

P/N 19323
WASHER, FLAT 0.50 SAE GR8
8 PLCS

*SEE INSTALLATION DRAWING FOR OUTRIGGER MODEL
NUMBER DESCRIPTION

ITEM	DESCRIPTION	38589 QTY	38610 QTY	38616 QTY	38633 QTY	38641 QTY	38845 QTY	38943 QTY	38982 QTY	39160 QTY	39191 QTY	39226 QTY	39227 QTY
1	CENTER OUTR.	19319	19319	19654	19319	19319	22181	19654	19654	25034	25297	19888	19888
2	STREET SIDE OUTR.	19353	19353	NONE	19353	19353	22179	NONE	NONE	25035	25296	19893	19893
3	CURB SIDE OUTR.	19357	19357	19357	19357	19357	NONE	19357	19357	25036	19357	19891	19891
4	STREET CYL. ASSEMBLY	18304	18304	NONE	18304	18304	18306	NONE	NONE	18306	25301	25660	25660
5	CURB CYL. ASSEMBLY	18306	18306	18306	18306	18306	NONE	18306	18306	18304	25304	18305	18305
6	TOP SPACER	33292	33292	33292	33292	33292	33292	33292	33292	33292	33292	33292	33292
7	BOTTOM SPACER	33951	33951	33951	33951	33951	33951	33951	33951	33951	33951	33951	33951
8	SIDE SPACER	16820	16820	16820	16820	16820	16820	16820	16820	16820	16820	16820	16820
9	SCREW	30457	30457	30457	30457	30457	30457	30457	30457	30457	30457	30457	30457
10	LOCK WASHER	30889	30889	30889	30889	30889	30889	30889	30889	30889	30889	30889	30889
11	TOP NYLON PAD	33952	33952	33952	33952	33952	33952	33952	33952	33952	33952	33952	33952
12	BOTTOM NYLON PAD	33950	33950	33950	33950	33950	33950	33950	33950	33950	33950	33950	33950
13	SCREW	33614	33614	33614	33614	33614	33614	33614	33614	33614	33614	33614	33614
14	CS, 1.00 DIA X 4.25	18045	18045	18045	18045	18045	18045	18045	18045	18045	18045	18045	18045
15	RING, SNAP 1" INTERNAL CS	30692	30692	30692	30692	30692	30692	30692	30692	30692	30692	30692	30692



Houston TX
(713)-688-5533
www.liftmoore.com

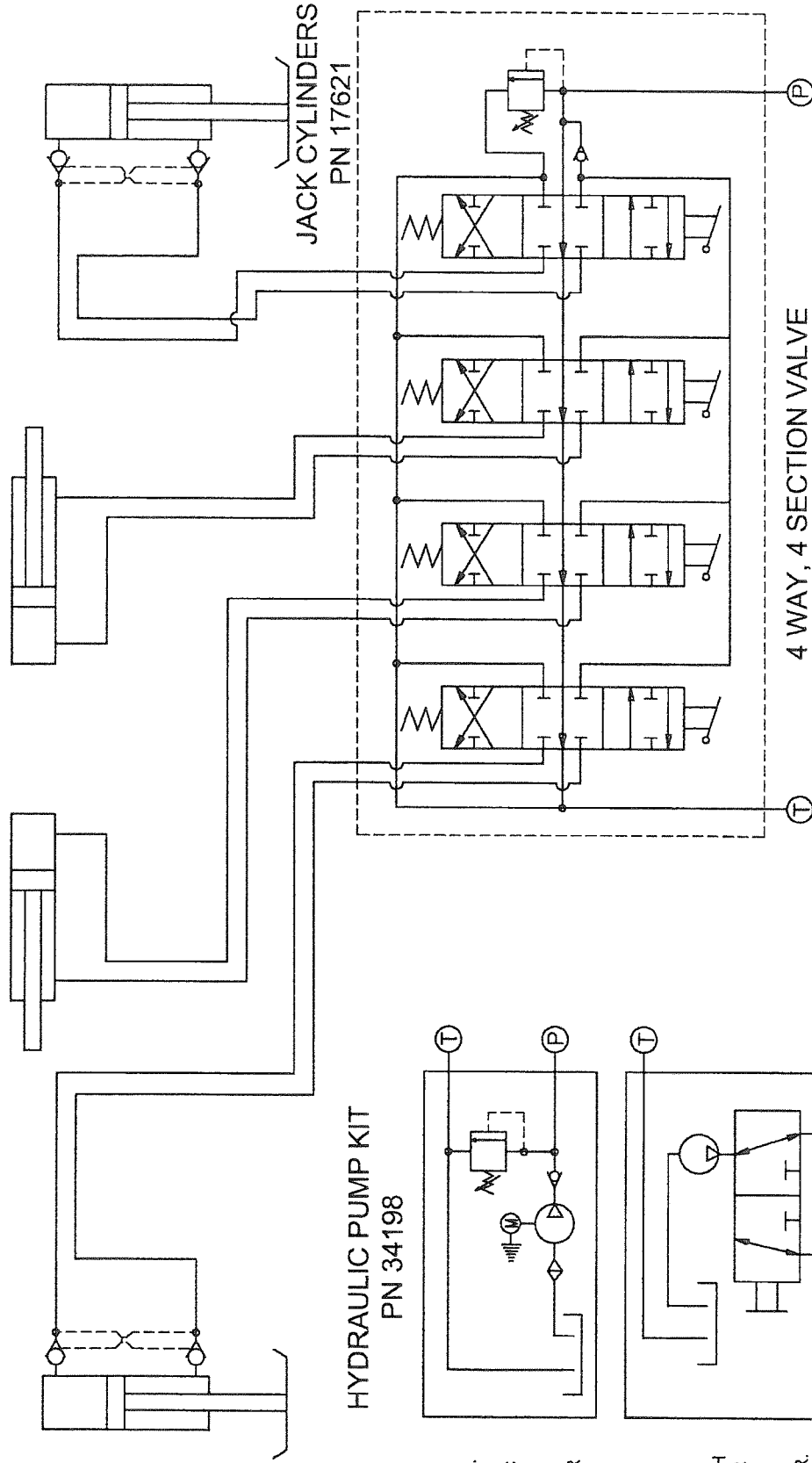
DRWN BY: JC
DATE: 09/21/09

OUTRIGGER 36K HOHD
PARTS LIST

DRAWING NO.
58107-G

STREET SIDE

CURB SIDE



HYDRAULIC PUMP KIT
PN 34198

4 WAY, 4 SECTION VALVE
PN 19373

JACK CYLINDERS
PN 17621

OPTION 2:
FOR ELECT.
CRANES;
HYDRAULIC
PUMP UNIT
WITH
RESERVOIR

OPTION 1:
FOR HYDR.
CRANES;
DIVERTER
VALVE WITH
CUSTOMER
SUPPLIED
PUMP AND
RESERVOIR.

NOTES: PLUMB "P" PORTS AND "T" PORTS BETWEEN
OUTRIGGER SYSTEM AND FLUID POWER SOURCE.

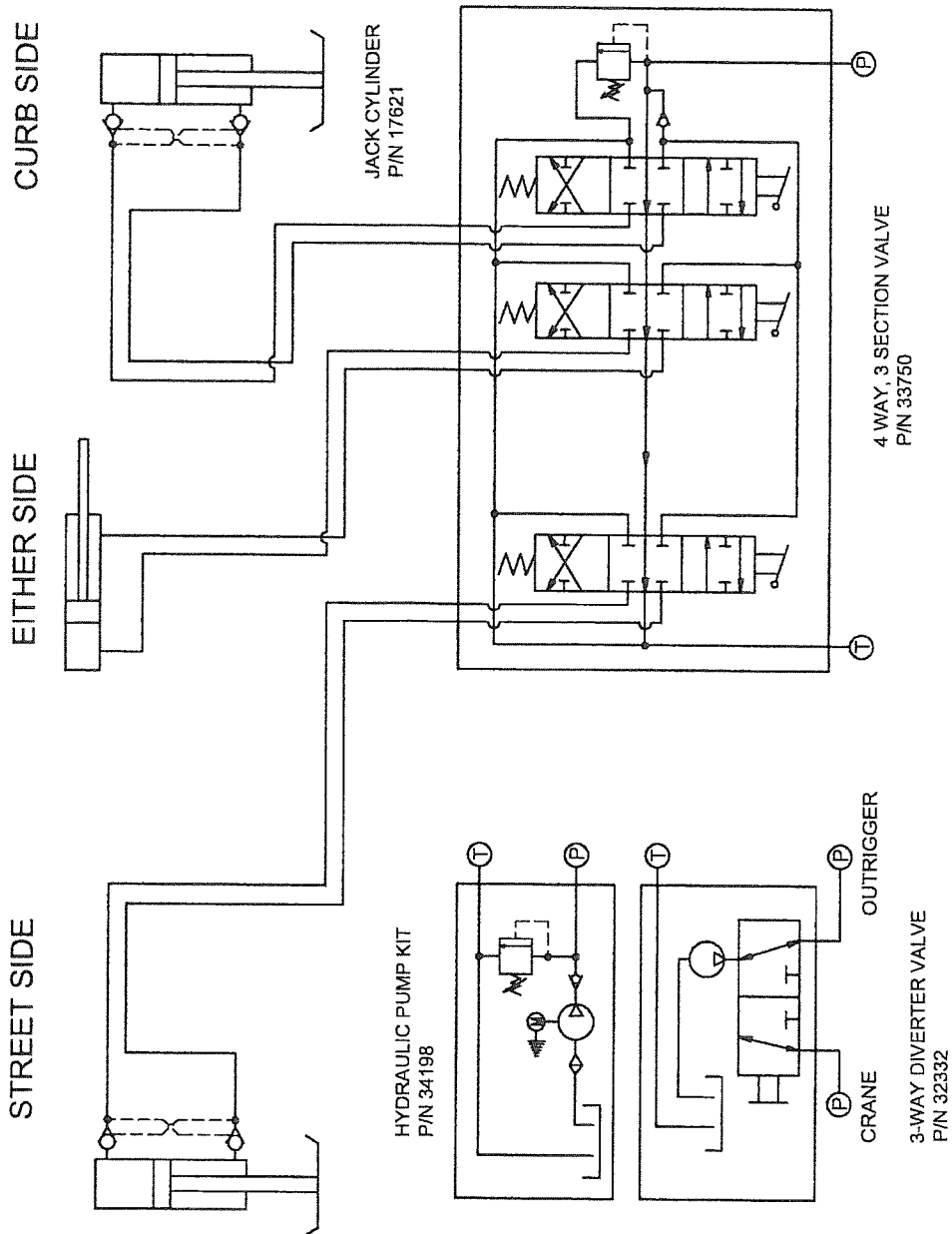


Houston TX
(713)-688-5533
www.iftmoore.com

DRWN BY: LEM
DATE: 2/1/00

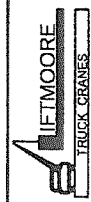
SCHEM, HYD. OUTRIG HOHD

DRAWING NO.
50468-0



- OPTION 2:
FOR ELECTRIC CRANE;
HYDRAULIC PUMP UNIT
WITH RESERVOIR
- OPTION 1:
FOR HYDRAULIC CRANE;
DIVERTER VALVE WITH
CUSTOMER SUPPLIED
PUMP AND RESERVOIR

NOTES: PLUMB "P" PORTS AND "T" PORTS BETWEEN
OUTRIGGER SYSTEM AND FLUID POWER SOURCE.



Houston TX
(713)-688-5533
www.iftmoore.com

DRWN BY: TV
DATE: 05/17/06

SCHEM, HYD. OUTRIG SFXHD
ONE SIDE FIXED

DRAWING NO.
50500-A